



City of Rohnert Park
Public Works Department

DATE: APRIL 7, 2023
TO: ALL PLANHOLDERS
SUBJECT: CITY OF ROHNERT PARK
HONEYBEE POOL RENOVATION PROJECT,
PROJECT NO. 2019-31
NO. OF PAGES: 83

ADDENDUM NO. 3

This package provides an addendum to the Project Contract Documents. This Addendum shall become part of the Contract and all provisions of the Contract shall apply thereto.

Bidders shall acknowledge receipt of this Addendum by signing the acknowledgement located in the Bid Proposal documents, under "Addendum Acknowledgement." Failure to do so may cause your bid to become non-responsive and subject to rejection.

BID PACKET AND BID DOCUMENTS

1. **PART 1- BID DOCUMENTS**

- Replace Page 1-9 Schedule of Bid Prices.

2. **PART 4 – TECHNICAL SPECIFICATION**

- Update as follows per Attachment A- Item #3.1 through #3.7.

3. **PART 6– DRAWINGS**

- Update as follows per Attachment A- Item #3.8 through #3.19.
- Insert Plan Sheet PD2.0 Plumbing Demo Floor Plans between Plan Sheet P0.1 and P2.0.

RESPONSE TO BIDDERS QUESTIONS:

1. Project has an exterior mounted Counter door. The spec supplied won't work. It's asking for a chain drive door with door on exterior of building? Based on size of opening of 6'-0" x 3'-0" I assume this to be a push up type function with exterior locks?

Response: The counter door can have multiple different operations (pushup, crank or motor). See Attachment A #3.6.

2. The following items are specified & not shown. Please confirm these items are not needed on this project: Bobrick Hooks 985 Bobrick Paper Towel 72974 (both Paper towel dispenser & Hand dryer were specified, please confirm which is desired).
Response: City to furnish and Contractor to install paper towel dispensers. Contractor to furnish and install hand dryer and hooks. See Attachment A# 3.13.
3. Regarding Fencing: Sheet A0.7 call for fence with vinyl slats Specs call for 2" mesh slats. On sheet 2.1 detail #22 calls for bottom tension wire. Detail #19 calls for bottom rail. Detail #18 calls for no greater than 1 3/4" mesh? Re-bar cages have no structural value on a fence post.
Response: See Attachment A #3.8.
4. Can you combine all Bid Items into one single base bid item? Or at a minimum combine items 6 – 9 of the Schedule of Bid Prices? Most subcontractors bidding the project from online sources likely will not see this breakdown. Subsequently the GC's will likely receive several bids on bid day that will only be one lump sum and there will likely not be enough time to have these bids revised.
Response: Yes, see attached updated bid schedule.
5. Provide a schedule and plan showing toilet accessories.
Response: Refer to Specification Section 10 28 13 Toilet Accessories.
6. Please add gate hardware groups and specifications to the 'GATE SCHEDULE'.
Response: See Attachment A #3.7.
7. Sheet A1.0-Reference Note '01EB' notes (E) ISA Pavement Marking and the same Reference Note on A0.6 calls for NEW ISA Pavement Marking. Which is correct? Coordinate.
Response: New markings. See Attachment A #3.9.
8. Sheet C2.0- The Civil Demolition Plan shows the removal of (E) exterior features where no new concrete flatwork is indicated on either 'A1.0 SITE PLAN' or 'C3.1 PAVEMENT PLAN'. Review and coordinate work scope to be included in bids.
Response: The Demolition area extends approximately 16 feet beyond the existing pavement along the southeast edge of the existing restroom structure encompassing the portion of landscape area to be disturbed for the installation of the proposed storm drain lines connecting the downspout connection.
9. Sheet C3.0 -Provide details for the reinstallation of the (E) BIKE RACK as per Grading Note #4.
Response: See Attachment A #3.17.

10. Sheet A2.1/A2.2- Floor Plan Note '01CC' on A2.1 calls to 'DEMO (E) CONC. CURB 2x4 STUDS, TYP.'; On A2.2 the area legend for saw cut & demo existing concrete only shows the curb being removed from the women's bathroom. Foundation Plan S2.0 and Detail 12/S5.1 indicate the (E) Conc. Curb is to remain. To properly remove all the (E) plumbing and install new plumbing this curb and wall should be removed as noted on A2.1. Please coordinate and clarify other relevant drawings to show that. Also, update structural drawings to show a new curb/footing at this location.

Response: See Attachment A #3.11.

11. Sheet A2.1-Are we removing all the existing insulation at exterior walls?

Response: Existing insulation can only be removed if the existing gypsum boards are called out to be removed and new gypsum boards are provided. The plans show the Men's/Women's Restrooms and Janitor Room to provide new wall finish with new 1/2 inch thick moisture resistant cementitious backer board per Details 17 and 18/6.1. The details call out for R-19 batt insulation. The building with a Concession Room does not have a new interior finish and therefore the existing insulation will remain and protect in place. All existing shear walls are to remain per structural plan.

12. Sheet A2.2- Please add new concrete curbs to legend.

Response: See Attachment A #3.11.

13. Sheet A7.1 indicates a Schluter corner guard at outside corners for both tile or FRP. Detail 16/6.2 FRP details have a conflicting outside corner detail. Which is correct? Please coordinate.

Response: See Attachment A #3.13.

14. Sheet A3.1-All the existing soffit sheathing is shown to remain; however, it calls for all new vents and Detail 12/8.1 shows new blocking at (E) soffit framing for new vents. To do this correctly all the existing soffit sheathing will need to be removed. Please show this necessary removal on the demolition plans.

Response: See Attachment A #3.12.

15. Sheet A4.1- Does the work include removing and replacing all roofing, insulation and appurtenances down to the (E) plywood sheathing?

Response: No. Only the heating roof panes are to be removed.

16. Sheet A8.1 -Room Finish Schedule remark #1 notes the color schedule is part of the painting specification; Specification Section 09 90 00 Painting doesn't include a color schedule. Please provide.

Response: Color schedule is included under Specification Section 09 90 00, Article 3.13 and 3.14.

17. Sheet A8.1- The room finish schedule calls for new epoxy floor and base in Janitor 103. The Architectural and Plumbing Drawings not the (E) Water Heater in Janitor 103 is to remain. Please add a note to the plumbing drawings for removal and reinstallation of (E) Water Heater so the new flooring can be installed.

Response: See Attachment A #3.10.

18. Sheet A8.1-The typical head and jamb detail for interior door is for a HM frame. Per the Door Schedule on A8.1 the three interior only doors are called to have wood frames. Please revise appropriately.

Response: See Attachment A #3.15.

19. Provide a specification for the service window.

Response: See Attachment A #3.6.

20. Please provide a specification for the 'VAPOR MEMBRANE BARRIER' beneath the interior tiling.

Response: For vapor membrane barriers refer to Specification Section 09 30 15 Porcelain Tile Wall Finishing, Article 2.6.

21. Provide a specification for the new '14GA SS COUNDERTOP W/HEMMED EDGES'. Also do you want a backsplash where it meets the walls? 1D/A7.2 doesn't show one.

Response: See Attachment A #3.5.

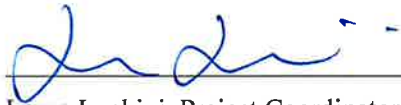
22. Provide a specification for the '2"x12" METAL SCREEN VENT'.

Response: For metal screen vent specs, refer to Specification Section 10 82 00 -Grilles and Screens.

23. Is there a soils report since the plans call out to follow the Geotech recommendations?

Response: There is no soil report. See Attachment A #3.18.

Addendum No. 3 approved by:



Laura Luchini, Project Coordinator

4/17/23

Date

SCHEDULE OF BID PRICES

**HONEYBEE POOL RENOVATION PROJECT
PROJECT. NO. 2019-31**

In accordance with the plans and specifications therefor approved by the City of Rohnert Park, the undersigned bidder is herewith submitting the following bid prices for the performance of the entire proposed work as described in these specifications and attached drawings.

ITEM NO.	ITEM DESCRIPTION	QUANTITY	UNIT	UNIT PRICE	TOTAL COST
1	Mobilization/Demobilization		LS		
2	Pool		LS		
3	Deck/ Sidewalk		LS		
4	Fencing/ Gate		LS		
5	Wading Pool		LS		
6	Building Improvements		LS		
7	Project ID Sign		LS		

Total Amount of Bid (written in words) is: _____
_____ Dollars

and _____ Cents.

Any discrepancy between words and figures shall be resolved as provided in the Instructions to Bidders.

\$ _____
(Figures)

Address of Bidder

Signature of Bidder

City, State, Zip

Name of Bidder (Print)

Telephone Number of Bidder

FAX Number of Bidder

Contractor's License Number

License's Expiration Date

Contractor's DIR Number

Contractor's email address



2600 Tenth Street
Suite 700
Berkeley, CA 94710-2597
P. +1 510-450-1999
PBK.com

April 6, 2023

TO : All Bidders
FROM : Loren Gachen, LEED AP, CASp, Managing Principal, Architect
PROJECT : Honeybee Pool Renovation
2010200.41
SUBJECT : Addendum 3

The following changes, omissions, and/or additions to the Project Manual and/or Drawings shall apply to proposals made for and to the execution of the various parts of the work affected thereby, and all other conditions shall remain the same.

Careful note of the Addendum shall be taken by all parties of interest so that the proper allowances may be made in strict accordance with the Addendum, and that all trades shall be fully advised in the performance of the work which will be required of them.

Bidder shall acknowledge receipt of this Addendum in the space provided on the Bid Form. Failure to do so may subject Bidder to disqualification.

In case of conflict between Drawings, Project Manual, and this Addendum, this Addendum shall govern.

3. PROJECT MANUAL

3.1 SPECIFICATIONS GROUP - TABLE OF CONTENTS

- A. Remove Specifications Group - Table of Contents in its entirety and replace with new attached Specifications Group - Table of Contents.

3.2 SECTION 01 11 00 - SUMMARY OF WORK

- A. Remove Section 01 11 00 - Summary of Work in its entirety and replace with new attached Section 01 11 00 - Summary of Work.

- 1. Revised Article 1.3 C 3

3.3 SECTION 01 71 23.16 - CONSTRUCTION SURVEYING

- A. Remove Section 01 71 23.16 - Construction Surveying in its entirety and replace with new attached Section 01 71 23.16 - Construction Surveying.

- 1. Removed Article 1.02 - Special Requirements.

3.4 SECTION 03 30 00 - CAST-IN-PLACE CONCRETE

- A. Remove Section 03 30 00 - Cast-In-Place Concrete in its entirety and replace with new attached Section 03 30 00 - Cast-In-Place Concrete.

- 1. Revised Article 2.3 Accessories F.

3.5 SECTION 06 41 16 - PLASTIC-LAMINATE-CLAD ARCHITECTURAL CABINETS

- A. Remove Section 06 41 16 - Plastic-Laminate-Clad Architectural Cabinets in its entirety and replace with new attached Section 06 41 16 - Plastic-Laminate-Clad Architectural Cabinets.

- 1. Revised Article 2.5 - add B Stainless Steel counter tops at concession room.

3.6 SECTION 08 33 00 - ROLLING COUNTER SHUTTERS

- A. Add new attached Section 08 33 00 - Rolling Counter Shutters.

3.7 SECTION 08 71 00 - DOOR HARDWARE

- A. Remove Section 08 71 00 - Door Hardware in its entirety and replace with new attached Section 08 71 00 - Door Hardware.

- 1. Revised Article 3.6 Schedule - Group 06.

DRAWINGS

Architectural

3.8 DRAWING A0.7 - FENCING PLAN

- A. Remove Drawing A0.7 - Fencing Plan in its entirety and replace with new attached Drawing A0.7 - Fencing Plan.

3.9 DRAWING A1.0 - SITE PLAN

- A. Remove Drawing A1.0 - Site Plan in its entirety and replace with new attached Drawing A1.0 - Site Plan.

- 1. Revised Key note 01EB with revision cloud, Delta 4.

3.10 DRAWING A2.1 - DEMO & FLOOR PLAN

- A. Remove Drawing A2.1 - Demo & Floor Plan in its entirety and replace with new attached Drawing A2.1 - Demo & Floor Plan.

- 1. Revised Key note 01WH with revision cloud Delta 4.

3.11 DRAWING A2.2 - SLAB PLAN

- A. Remove Drawing A2.2 - Slab Plan its entirety and replace with new attached Drawing A2.2 - Slab Plan.
 - 1. Revised Legend with revision cloud Delta 4.
 - 2. Revised Detail 1 with revision cloud Delta 4.

3.12 DRAWING A3.1 - DEMO RCP AND NEW RCP PLAN

- A. Remove Drawing A3.1 - Demo RCP and New RCP Plan in its entirety and replace with new attached Drawing A3.1 - Demo RCP and New RCP Plan.
 - 1. Revised Legend Demo with revision cloud Delta 4.
 - 2. Revised Legend with revision cloud Delta 4.
 - 3. Revised Details 1 and 2 with revision cloud Delta 4.

3.13 DRAWING A7.1 - INTERIOR ELEVATIONS

- A. Remove Drawing A7.1 - Interior Elevations in its entirety and replace with new attached Drawing A7.1 - Interior Elevations.
 - 1. Revised Legend - call out with revision cloud Delta 4.
 - 2. Removed Detail 5.
 - 3. Add Key Note 09HK with revision cloud Delta 4.

3.14 DRAWING A7.2 - INTERIOR ELEVATIONS

- A. Remove Drawing A7.2 - Interior Elevations in its entirety and replace with new attached Drawing A7.2 - Interior Elevations.
 - 1. Revised Reference notes - add keynote 06BS with revision cloud Delta 4.
 - 2. Revised Detail 1 D.

3.15 DRAWING A8.1 - ROOM FINISH SCHEDULE AND DOOR AND FRAME SCHEDULE

- A. Remove Drawing A8.1 - Room Finish Schedule and Door and Frame Schedule in its entirety and replace with new attached Drawing A8.1 - Room Finish Schedule and Door and Frame Schedule.
 - 1. Revised door and frame schedule with revision cloud Delta 4.

Civil

3.16 DRAWING C2.0 - DEMOLITION PLAN

- A. Remove Drawing C2.0 - Demolition Plan in its entirety with and replace with new attached Drawing C2.0 - Demolition Plan.
 - 1. Keynote 4 with revision cloud, Delta 4.

3.17 DRAWING C3.0 - GRADING PLAN

- A. Remove Drawing C3.0 - Grading Plan in its entirety with and replace with new attached Drawing C3.0 - Grading Plan.
 - 1. Grading keynote 4 with revision cloud, Delta 4.

3.18 DRAWING C6.0 - DETAILS

- A. Remove Drawing C6.0 - Details in its entirety with and replace with new attached Drawing C6.0 - Details.
 - 1. Revised Detail 7 typical concrete paving with revision cloud, Delta 4.

Structural

3.19 DRAWING S5.1 - CONCRETE DETAILS

- A. Remove Drawing S5.1 - Concrete Details in its entirety with and replace with new attached Drawing S5.1 - Concrete Details.
 - 1. Revised Detail 12 with revision cloud Delta 4.

END OF ADDENDUM 3

Submitted by,



LOREN GACHEN, LEED AP, CASp
Managing Principal
Architect



LG:VP:dr/P42010200x3-add

Attachments: Specifications Group - Table of Contents
Section 01 11 00 - Summary of Work
Section 01 71 23.16 - Construction Surveying
Section 03 30 00 - Cast-In-Place Concrete
Section 06 41 16 - Plastic-Laminate-Clad Architectural Cabinets
Section 08 33 00 - Rolling Counter Shutters
Section 08 71 00 - Door Hardware
Architectural Drawings A0.7, A1.0, A2.1, A2.2, A3.1, A7.1, A7.2. and A8.1
Civil Drawing C2.0, C3.0, and C6.0
Structural Drawing S5.1

**TABLE OF CONTENTS
SPECIFICATIONS GROUP**

HONEYBEE POOL RENOVATION

**SPECIFICATIONS GROUP
GENERAL REQUIREMENTS SUBGROUP**

DIVISION 01	GENERAL REQUIREMENTS	PAGES
01 11 00	Summary of Work	3
01 20 00	Price and Payment Procedures	10
01 25 13	Product Substitution Procedures	4
01 31 00	Project Management and Coordination	7
01 32 16	Construction Schedule - Network Analysis	9
01 33 00	Submittal Procedures	7
01 35 16	Alteration Project Procedures	4
01 42 19	Reference Standards	3
01 43 00	Quality Assurance	2
01 45 29	Testing Laboratory Services	4
01 50 00	Temporary Facilities and Controls	6
01 61 00	Product Requirements	3
01 71 23.16	Construction Surveying	2
01 73 00	Execution Requirements	4
01 73 29	Cutting and Patching	3
01 74 19	Construction Waste Management and Disposal	14
01 77 00	Closeout Procedures	5

**SPECIFICATION GROUP
FACILITY CONSTRUCTION SUBGROUP**

DIVISION 02	EXISTING CONDITIONS	
02 40 00	Demolition	2
02 41 19	Selective Demolition	4

DIVISION 03	CONCRETE	
03 10 00	Concrete Formwork	4
03 20 00	Concrete Reinforcement	2
03 30 00	Cast-In-Place Concrete	7

DIVISION 04	MASONRY	
NOT USED		

DIVISION 05	METALS	
05 52 00	Metal Railings	3

DIVISION 06	WOOD, PLASTICS, AND COMPOSITES	
06 10 00	Rough Carpentry	5
06 41 16	Plastic-Laminate-Clad Architectural Cabinets	6
06 65 00	Exterior Synthetic Trim	4

DIVISION 07	THERMAL AND MOISTURE PROTECTION	
07 21 16	Blanket Insulation	3
07 25 00	Weather Barriers	3
07 46 46	Fiber Cement Siding System	5
07 52 00	Modified Bituminous Membrane Roofing	8
07 62 00	Sheet Metal Flashing and Trim	4
07 71 23	Manufactured Downspouts	2
07 92 00	Joint Sealants	5

DIVISION 08 OPENINGS

08 11 13	Hollow Metal Doors and Frames	5
08 14 00	Wood Doors	2
08 33 00	Rolling Counter Shutters	4
08 33 23	Overhead Coiling Door	2
08 71 00	Door Hardware	11

DIVISION 09 FINISHES

09 21 16	Gypsum Board Assemblies	6
09 22 16	Metal Stud Framing	3
09 30 15	Porcelain Tile Wall Finishing	4
09 67 26	Quartz Flooring	5
09 77 33	Fiber Reinforced Plastic Panels	3
09 90 00	Painting	10

DIVISION 10 SPECIALTIES

10 14 00	Signage	3
10 21 20	Solid Color Reinforced Composite Toilet Compartments	4
10 28 13	Toilet Accessories	3
10 51 13	Metal Lockers	3
10 82 00	Grilles and Screens	3

DIVISION 11 EQUIPMENT

11 90 00	Miscellaneous Equipment	1
----------	-------------------------	---

DIVISION 12 FURNISHINGS

NOT USED

DIVISION 13 SPECIAL CONSTRUCTION

13 11 00	Swimming Pool General Requirements	11
13 11 02	Swimming Pool Concrete	10
13 11 04	Swimming Pool Ceramic Tile	4
13 11 05	Swimming Pool Plaster	6
13 11 06	Swimming Pool Equipment	3
13 11 07	Swimming Pool Mechanical	10
13 11 08	Swimming Pool Electrical	11

DIVISION 14 CONVEYING EQUIPMENT

NOT USED

DIVISION 15 TO 19 RESERVED

NOT USED

SPECIFICATIONS GROUP
FACILITY SERVICES SUBGROUP

DIVISION 20 RESERVED

NOT USED

DIVISION 21 FIRE SUPPRESSION

NOT USED

DIVISION 22 PLUMBING			
22 00 00	Plumbing		17
DIVISION 23 HEATING, VENTILATING, AND AIR CONDITIONING			
23 00 00	Heating, Ventilation & Air Conditioning		14
DIVISION 24 RESERVED			
NOT USED			
DIVISION 25 INTEGRATED AUTOMATION			
NOT USED			
DIVISION 26 ELECTRICAL			
26 00 00	Electrical (Provided by Consultant)		
DIVISION 27 COMMUNICATIONS			
NOT USED			
DIVISION 28 ELECTRONIC SAFETY AND SECURITY			
NOT USED			
DIVISION 29 RESERVED			
NOT USED			
SPECIFICATIONS GROUP			
SITE AND INFRASTRUCTURE SUBGROUP			
DIVISION 30 RESERVED			
NOT USED			
DIVISION 31 EARTHWORK			
31 11 00	Clearing and Grubbing		1
31 23 33	Trenching and Backfill		6
DIVISION 32 EXTERIOR IMPROVEMENTS			
32 05 23	Concrete for Exterior Improvements		8
32 11 00	Base Courses		3
32 13 00	Rigid Paving		8
32 31 13	Chain Link Fences and Gates		4
DIVISION 33 UTILITIES			
33 05 16	Utility Structures		3
33 40 00	Storm Drainage Utilities		8

DIVISION 34 TRANSPORTATION

NOT USED

DIVISION 35 WATERWAY AND MARINE CONSTRUCTION

NOT USED

DIVISION 36 TO 39 RESERVED

NOT USED

SPECIFICATIONS GROUP
PROCESS EQUIPMENT SUBGROUP

DIVISION 40 PROCESS INTEGRATION

NOT USED

DIVISION 41 MATERIAL PROCESSING AND HANDLING EQUIPMENT

NOT USED

DIVISION 42 PROCESS HEATING, COOLING, AND DRYING EQUIPMENT

NOT USED

DIVISION 43 PROCESS GAS AND LIQUID HANDLING, PURIFICATION, AND STORAGE

NOT USED

DIVISION 44 POLLUTION CONTROL AND WASTE EQUIPMENT

NOT USED

DIVISION 45 INDUSTRY-SPECIFIC MANUFACTURING EQUIPMENT

NOT USED

DIVISION 46 INDUSTRY-SPECIFIC MANUFACTURING EQUIPMENT

NOT USED

DIVISION 47 INDUSTRY-SPECIFIC MANUFACTURING EQUIPMENT

NOT USED

DIVISION 48 ELECTRICAL POWER GENERATION

NOT USED

DIVISION 49 RESERVED

NOT USED

SECTION 01 11 00

SUMMARY OF WORK

1. PART 1 GENERAL

1.1 SECTION INCLUDES

- A. Work Included.
- B. Work under separate contracts.
- C. Work by Owner.
- D. Owner furnished products.
- E. Contractor use of site and premises.
- F. Work Sequence.
- G. Owner occupancy.
- H. Work restrictions.

1.2 WORK INCLUDED

- A. Work of this Contract comprises general construction including remodeling of Honeybee Pool. Work includes, but is not limited to:
 - 1. Pool refinishing.
 - 2. ADA access to pool lift.
 - 3. Handrail to pool stair.
 - 4. Pool decking replacement exceeding 2% at restrooms at path of travel to restrooms, concession and pool lift area, move ADA lift to other side by the lifeguard stand.
 - 5. Remove existing drinking fountain and install ADA drinking fountain.
 - 6. Sidewalk repairs.
 - 7. Replace perimeter fence and entry gates.
 - 8. Removal of existing wading pool, and replace with concrete pavers.
 - 9. Replace sidings and trims at restrooms and privacy screens.
 - 10. At concession buildings, dry rot repairs and replacement of sheathing and framing, and exterior painting of exterior trims.
 - 11. Women's and men's restrooms ADA improvements including stud walls, gypsum board, floor and wall finishes, toilet partitions, removal and installation of plumbing fixtures, shower pans, folding shower and dressing seats, folding baby changing stations, toilet accessories, replace doors and door frames.
 - 12. Remove existing overhead coiling door and install overhead coiling service counter door, fix counter height to be ADA compliant, sliding window, laminate-clad wood casework, ADA signages, graphics, exhaust fan replacements, and roof repairs, light fixtures, and all mechanical and electrical work affected by the ADA improvement work.
- B. Location: 1170 Golf Course Drive, Rohnert Park, CA 94928 for City of Rohnert Park, Owner.
- C. Construct the work under a single lump sum contract.

1.3 WORK BY OWNER

- A. Items noted "NIC" (Not In Contract) will be furnished and installed by Owner.
- B. Owner will remove and retain possession of the following items prior to start of work:
 - 1. All swimming pool safety ropes.
 - 2. Swimming pool related accessories.
- C. Contractor will remove and Owner will take possession of the following items prior to start of work:
 - 1. All graphic wall signage.
 - 2. Display case bulletin board aluminum frame.

1.4 CONTRACTOR USE OF SITE

- A. Contractor shall have complete use of the site throughout the construction period.

1.5 OWNER OCCUPANCY

- A. Partial Owner Occupancy: Owner will occupy the entire site during entire construction period, with the exception of areas under construction.
- B. Owner Occupancy of Completed Areas of Construction: Owner reserves the right to occupy and to place and install equipment in completed areas of building, before Substantial Completion, provided such occupancy does not interfere with completion of the Work. Such placement of equipment and partial occupancy shall not constitute acceptance of the total Work.
- C. Architect will prepare a Certificate of Substantial Completion for each specific portion of the Work to be occupied before Owner occupancy.
- D. Obtain a Certificate of Occupancy from authorities having jurisdiction before Owner occupancy.
- E. Before partial Owner occupancy, mechanical and electrical systems shall be fully operational, and required tests and inspections shall be successfully completed. On occupancy, Owner will operate and maintain mechanical and electrical systems serving occupied portions of building.
- F. On occupancy, Owner will assume responsibility for maintenance and custodial service for occupied portions of building.
- G. Cooperate with Owner during construction operations to minimize conflicts and facilitate Owner usage.
- H. Perform the Work so as not to interfere with Owner's day-to-day operations.
- I. Maintain existing exits, unless otherwise indicated.
- J. Provide not less than 72 hours notice to Owner of activities that will affect Owner's operations.

1.6 WORK RESTRICTIONS

- A. On-Site Work Hours: Work shall be generally performed during normal business working hours, Monday through Friday, except as otherwise indicated or required to conform to construction schedule and labor codes.
 - 1. Weekend Hours: TBD.
 - 2. Early Morning Hours: TBD.
 - 3. Hours for Utility Shutdowns: TBD.
 - 4. Hours for Noisy Operations: TBD.

- B. Existing Utility Interruptions: Do not interrupt utilities serving facilities occupied by Owner or others unless permitted to do so and then only after arranging to provide temporary utility services according to requirements indicated.
1. Notify Architect not less than 5 days in advance of proposed utility interruptions. Do not proceed with utility interruptions without Architect's permission.

2. PART 2 PRODUCTS

Not Used

3. PART 3 EXECUTION

Not Used

END OF SECTION

SECTION 01 71 23.16

CONSTRUCTION SURVEYING

PART 1 - GENERAL

1.01 WORK INCLUDED

- A. General: The Contract General Conditions and Division 1, General Requirements, including, but not limited to, summary of work, submittals and cleaning, shall form a part of these specifications with the same force and effect as though repeated herein. Work shall be done according to the Contract Documents and to the satisfaction of the Owner. That which is called for in one of the Contract Documents is binding as though called for in all.
- B. Care shall be taken to protect stakes, especially rough grade stakes, since they are used for reference throughout the construction process.
- C. The contractor shall request stakes from the Engineer when it is ready to use them and shall be responsible for their preservation for its future use. All requests shall be made in writing and faxed to the Engineer 48 hours prior to the time staking will be required.
- D. Should the work need to be restaked, for the contractor's use, the contractor shall be responsible for the cost of this restaking. Also, should the contractor destroy stakes, which are needed for improvements other than his own, it shall also be responsible for the cost of replacing the destroyed stakes.
- E. Staking will consist of the following:
 1. Demolition and Tree Removal:

Trees will be flagged or marked for saving or removal as specified by the Engineer and the boundary will be lathed for demolition if required. Contractor is to verify with Owner if and when perimeter fencing is to be removed.
 2. Rough Grade:
 - a. Top of curb cut or fill for BC, ER, EC and PRC and grade breaks on an offset to face of curb.
 - b. Building pad cut or fill stakes on an offset to pad.
 3. Sanitary Sewers:
 - a. The ends of sanitary laterals will be staked on an offset with a cut to flowline, within 5' of each building.
 4. Storm Drains:
 - a. Main lines will be staked on an offset at 50' stations on tangent with a cut to the invert of the pipe. All staking will commence at the low end of a particular drainage system.
 - b. End of pipes for catch basins will be staked on an offset with a cut or fill to pipe invert.
 - c. Area drains will be staked on an offset with a cut to the invert. Owner's Engineer may adjust top of grate elevations to consider as graded building pad elevations. Therefore, contractor must verify top of grate elevations with Owner's Engineer prior to setting grate to grade.
 5. Water Staking:
 - a. Mains will be constructed using face of curb stakes with cut or fill to top of curb as control.
 - b. Services to all buildings will be located at an offset with a marker for line only.
 - c. Curb and gutter control stakes will be set at hydrants for hydrant construction.

6. PG&E and Joint Trenches:
 - a. Joint trench facilities will be constructed using face of curb stakes with cut or fill to top of curb.
 - b. Curb & gutter control stakes will be set for transformer locations and for vaults larger than #5 boxes.
7. Curb and Gutter:
 - a. Curb and gutter will be staked on an offset to face of curb with a cut or fill on each stake to top of curb. Stakes will be placed for parking area curbs and valley gutters with stakes not exceeding 30' on curves in addition to all BCs, ECs, PRC's, ER's and grade breaks.
8. Storm Water Inlets:
 - a. Control for storm water curb inlets will be provided by staking horizontal and vertical location of curb and gutter at inlet locations. For inlets not in curbing, horizontal and vertical control will be provided for the inlet flow line and grate at the time storm drain is staked.
9. Building Corners:
 - a. Control for building envelopes will be provided as a set of offset stakes to actual corners. A minimum of four stakes will be provided, and one control stake in each building envelope referenced for foundation elevation control.
10. Completion Staking:
 - a. Control stakes for completion including any perimeter fences will be provided on an offset at approximate 50 foot intervals.
11. Monumentation:
 - a. No monuments are shown on the plans.

1.02 EXECUTION

- A. Control points and temporary benchmarks will be set prior to staking the project.
- B. Site engineering under this section shall be performed by a Registered Engineer, or Licensed Land Surveyor of the State of California. The Subcontractor shall furnish his own grade checker, at his expense. Report any irregularities in site dimensions or grades to the Engineer for clarification prior to the start of grading or installation of any portion of the work.

1.03 EXECUTION - SUBCONTRACTOR PROVIDED STAKING

- A. All subcontractor provided staking workmanship shall be of the best quality and meet acceptance of the Contractor.
- B. Scheduling and Coordination:
 1. Schedule: Subcontractor shall examine the schedule and check it for timing, accuracy and compatibility with his work and shall coordinate his work with the master schedule.
 2. Coordination: Subcontractor shall assist the contractor in coordination and scheduling of all work pertinent to his installation and shall inform the contractor of his requirements sufficiently to result in a well-coordinated job.
- C. Grading Control:
 1. All grading, including subgrading and finished grading of all areas, including parking areas, drives and walks, shall be controlled by such intermediate grade stakes and lines as may be necessary to insure slopes, lines and levels required by finished grade elevations indicated on drawings. Stakes shall be so spaced that a taut line between any two will not sag or drift. Intermediate staking and layout shall be by grading subcontractor.

2. The Subcontractor shall be responsible for preserving all benchmarks, reference points, and construction stakes in the area, and he will be billed for any cost incurred in replacing any such benchmarks, reference points, or construction stakes which are destroyed as a result of his activities. Any construction stakes in addition to those specified herein will be provided to the contractor upon receipt of written request at his expense.
 3. In the event such extra staking is required, the Contractor shall have a company representative onsite to sign the field crew's assignment sheet before the staking is begun. At that time, upon request, the field crew, after conference with the office, will provide said representative with an estimate of the field time required for the services requested.
- D. Inspection and Approvals: The Contractor shall be advised and given notice and presented with copies of all records on substantial completion of this work.
- E. Clean-Up: Subcontractor shall keep his work areas in a workmanlike and safe condition and so that his rubbish, waste and debris do not interfere with the work of others. Upon completion of the work in this section, subcontractor shall remove all rubbish, waste and debris resulting from the operations off the site. Subcontractor shall remove all equipment and implements of services and leave entire area in a neat, clean acceptable condition to meet acceptance of contractor.

END OF SECTION

SECTION 03 30 00

CAST-IN-PLACE CONCRETE

1. PART 1 GENERAL

1.1 SECTION INCLUDES

- A. Cast-in-place concrete footings, foundations and grade beams.
- B. Cast-in-place walls.
- C. Floors and slabs on grade.
- D. Cast-in-place equipment pads.
- E. Surface finish of floors and walls.
- F. Preparation of concrete base slabs to receive toppings.

1.2 RELATED WORK

- A. Section 03 10 00: Concrete Formwork.
- B. Section 03 20 00: Concrete Reinforcement.
- C. Divisions 15 and 16: Mechanical and electrical items to be cast in concrete.

1.3 QUALITY ASSURANCE

- A. Perform cast-in-place concrete work in accordance with ACI 318, unless specified otherwise in this Section.
- B. Inspection and testing will be performed by owner's testing laboratory.

1.4 SUBMITTALS

- A. Submit in accordance with Section 01 33 00: Submittal Procedures.
- B. Submit proposed mix design of each class of concrete to inspection and testing firm and Architect and Engineer for review prior to commencement of work.
- C. Three concrete test cylinders will be taken not less than once for every 50 cubic yards of concrete placed or not less than once a day for each class of concrete placed by special inspector.
- D. The cement supplier shall submit certification of compliance in accordance with CBC Section 1913A.1.
- E. One additional test cylinder will be taken during cold weather concreting, and be cured on job site under same conditions as concrete it represents.
- F. One slump test will be taken for each set of test cylinders taken.
- G. The manufacturer of transit-mix concrete shall deliver to job inspector a certificate with each mixer truck. Certificate shall bear signature of representative of Testing Laboratory, stating quantity of cement, water, fine aggregate, coarse aggregate, and admixtures contained in load. Certificates shall indicate time, to the nearest minute, that batch was mixed.

1.5 REFERENCES

- A. American Concrete Institute (ACI):
 - 1. ACI 318 - Building Code Requirements for Reinforced Concrete
 - 2. ACI 304 - Recommended Practice for Measuring, Mixing, Transporting and Placing concrete.

3. ACI 301 - Specifications for Structural Concrete for Buildings.
 4. ACI 305 - Hot Weather Concreting.
 5. ACI 306 - Cold Weather Concreting.
- B. All work shall be done in accordance with California Code of Regulations. Title 24, 2019 edition, also known as California Building Code (CBC).

2. PART 2 PRODUCTS

2.1 CONCRETE MATERIALS

- A. Cement: Portland, Type II; ASTM C150. Gray, except where noted, supplement with the following:
1. Fly Ash: 25 percent maximum; Fly Ash shall conform to ASTM C618 Class N or F.
 2. Combined Fly Ash and Pozzolan: 25 percent maximum
 3. Ground Granulated Blast Furnace Slag: 50 percent maximum
 4. Combined Fly Ash or Pozzolan and Ground Granulated Blast Furnace Slag: 50 percent maximum with combined Fly Ash and Pozzolans not exceeding 25 percent
- B. Fine and Coarse Aggregates: ASTM C33 for normal weight concrete. Aggregate shall be from established sources with proven history of successful use in producing concrete with minimum shrinkage. The average drying shrinkage after 28 days shall not exceed 0.045 percent for hardrock concrete.
- C. Water: Clean, and free from injurious amounts of oil, alkali, organic matter, or other deleterious material.
- D. Source of aggregate shall remain constant for the duration of the work, as practical.

2.2 ADMIXTURES

- A. Air Entrainment: ASTM C260.
- B. Water-Reducing Admixture: ASTM C494, Type A, and containing not more than 0.1 percent chloride ions.
- C. Water-Reducing, Retarding Admixture: ASTM C494, Type D, and containing not more than 0.1 percent chloride ions.
- D. Pozzolan: ASTM A618, containing not more than 0.1 percent chloride ions.
- E. Calcium Chloride: Not permitted.
- F. ASTM C 494, Type C, 30% + 2% solution of Calcium Nitrite

2.3 ACCESSORIES

- A. Bonding Agent: "Anvil Bond" as manufactured by Master Builders or approved equal.
- B. Non-Shrink Grout: Premixed compound consisting of non-metallic aggregate, cement, water reducing and plasticizing agents; capable of developing minimum compressive strength of 2400 psi in two days and 6000 psi in 28 days.
- C. Absorptive Mats: Cotton fabric or burlap-polyethylene, minimum 8oz./sq. yd; bonded to prevent separation during handling, placement and curing.
- D. Liquid Membrane-Forming curing Compound: Conforming to ASTM C309, Type I, and which will not discolor concrete or affect bonding or other finish applied thereover, and which restricts loss of water to not more than 0.500 grams per sq. cm. of surface when tested per ASTM C156.
- E. Provide Fly Ash or other reclaimed cementitious materials as indicated in Section 2.01.A.

- F. Slab-Leveling Compound. Provide leveling compound where required to meet floor flatness and levelness requirements. Acceptable products include Ardex K13 self leveling underlayment, Burke 300 Durock or approved equal.

2.4 PROPORTIONING AND DESIGN OF MIXES

- A. Prepare design mixes for each type and strength of concrete by either laboratory trial batch or field experience methods as specified in ACI 301. If trial batch method used, use an independent testing facility acceptable to Engineer and Architect for preparing and reporting proposed mix designs. The testing facility shall not be the same as used for field quality control testing unless otherwise acceptable to Architect.
- B. Except as otherwise specified, submit written reports to Architect and Engineer of each proposed mix for each class of concrete at least 15 days prior to start of work. Do not begin concrete production until mixes have been reviewed by Architect and Engineer.
- C. Unless lower limits are stated in the contract documents, all concrete exposed to freezing and thawing in moist condition and/or required to be watertight or used in slabs-on-grade shall have a maximum W/cm ratio of 0.45.
- D. Provide concrete of following strength:
1. Compressive strength (28 day) shall be as shown on Structural Drawings.
 2. Select proportions for normal weight concrete in accordance with ACI 301 by Method 1, 2 or 3 as applicable. Add air-entraining agent to concrete to entrain air as indicated in ACI 301.
- E. Adjustment to Concrete Mixes: Mix design adjustments may be requested by Contractor when characteristics of materials, job conditions, water, test results, or other circumstances warrant; at no additional cost to Owner and as accepted by Architect. Laboratory test data for revised mix design and strength results must be submitted to and accepted by architect before using in work.
- F. Admixtures:
1. Use water-reducing admixture or high-range, water-reducing admixture (super plasticizer), may be used in concrete subject to approval by Architect.
 2. Use accelerating admixture in concrete slabs placed at ambient temperatures below 50 degrees F (10 degrees C).
 3. Use air-entraining admixture in exterior exposed concrete, unless otherwise indicated. Add air-entraining admixture at manufacturer's prescribed rate to result in concrete at point of placement having air content of 4 percent to 6 percent.

2.5 CONCRETE MIXES

- A. Ready-Mix Concrete: All concrete shall be ready-mix concrete unless otherwise approved by the Engineer and Architect.
- B. Self-Leveling Concrete Topping - Underlayment for Interior Applications:
1. Topping for epoxy terrazzo flooring application shall include latex modifier, such as "TERA-GEM III, Revocoat Latex #1 Additive". Follow manufacturer's recommendations and flooring installation requirements.
 2. Use self-leveling underlayment concrete formulated to level concrete floors without shrinking, cracking or spalling, and capable of being placed from feathered edge to 1" thickness without aggregate in one pour. If greater than 1" thickness is required, aggregate shall be used in accordance with manufacturer's requirements. Appropriate primer shall be utilized for all underlayment applications.
 3. Example acceptable product: Ardex Engineered Cements "ARDEX K-15"
 4. Example acceptable product: Euclid Chemical's "Flo-Top or Super Flo-Top"

5. Example acceptable product: Sika Corporation "Sika Level Series"
6. Example acceptable product: BASF "MasterTop 110SL"

3. PART 3 EXECUTION

3.1 PLACING CONCRETE

- A. Pre-placement Inspection: Before placing concrete, inspect and complete formwork installation, reinforcing steel, and items to be embedded or cast-in. Notify other crafts to permit installation of their work; cooperate with other trades in setting such work. Moisten wood forms immediately before placing concrete where form coatings are not used.
- B. Place concrete in accordance with ACI 304, and as herein specified.
- C. Notify Structural Engineer minimum 48 hours prior to placing of concrete.
- D. Ensure anchors, seats, plates, and other items to be cast into concrete are placed, held securely, and will not cause problems in placing concrete. Rectify misplacements and proceed with work.
- E. Maintain records of poured concrete items. Record date, location of pour, quantity, air temperature and test samples taken.
- F. Ensure reinforcement, embedded parts, formed expansion and contraction joints, and other inserts are not disturbed during concrete placement.
- G. Prepare previously placed concrete by blowing joints and provide keyway.
- H. Deposit concrete continuously or in layers of such thickness that no concrete will be placed on concrete which has hardened sufficiently to cause the formation of seams or planes of weakness. If a section cannot be placed continuously, provide construction joints as herein specified only with prior approval of the Architect. Deposit concrete as nearly as practicable to this final location to avoid aggregation.
- I. Placing Concrete in Forms: Deposit concrete in forms in horizontal layers not deeper than 24 inches and in a manner to avoid inclined construction joints. Where placement consists of several layers, place each layer while preceding layer is still plastic to avoid cold joints.
- J. Consolidate placed concrete by mechanical vibrating equipment supplemented by hand-spading, rodding or tamping. Use equipment and procedures for consolidation of concrete in accordance with ACI recommended practices.
- K. Do not use vibrators to transport concrete inside forms. Insert and withdraw vibrators vertically at uniformly spaced locations not farther than visible effectiveness of machine. Place vibrators to rapidly penetrate placed layer and at least 6 inches into preceding layer. Do not insert vibrators into lower layers of concrete that have begun to set. At each insertion limit duration of vibration to time necessary to consolidate concrete and complete embedment of reinforcement and other embedded items without causing segregation of mix.
- L. Consolidate concrete during placing operations so that concrete is thoroughly worked around reinforcement and other embedded items and into corners.
- M. Bring slab surfaces to correct level with straight-edge and strike off. Use bull floats or darbies to smooth surface, free of humps or hollows. Do not disturb slab surfaces prior to beginning finishing operations.
- N. Excessive honeycomb or embedded debris in concrete is not acceptable. Notify Engineer and Architect immediately on discovery.
- O. Conform to ACI 305 when concreting during hot weather.
- P. Conform to ACI 306 when concreting during cold weather.

- Q. Unless otherwise permitted, time for completion of discharge shall comply with ASTM C94/C94M. When discharge is permitted after more than 90 minutes have elapsed since batching or after the drum has revolved 300 revolutions, verify that air content of air-entrained concrete, slump, and temperature of concrete are as specified. When discharge is permitted after more than 90 minutes have elapsed since batching or after the drum has revolved 300 revolutions, no water may be added.

3.2 FINISH OF FORMED SURFACES

- A. Rough Form Finish: For all formed concrete surfaces except as noted below. This is the concrete surface having texture imparted by form facing material used, with tie holes and defective areas repaired and patched and fins and other projects exceeding 1/4" in height rubbed down or chipped off.
- B. Smooth Form Finish: For formed concrete surfaced exposed-to-view or to be covered with a material such as waterproofing that requires a smooth surface. This is as cast arranged orderly and symmetrically with a minimum of seams. Repair and patch defective areas, with fins or other projects completely removed and smoothed.

3.3 MONOLITHIC SLAB FINISHES

- A. General: finish slab surfaces in accordance with one of the finishes noted below, as designated in the Contract Documents. Finish all joints and edges with proper tools as approved.
- B. Placement: Place concrete at rate that allows spreading, straight-edging, and darbying or bull floating before bleed water appears. Screed all slabs, topping fills to true levels and slopes. Work surfaces as required to produce specified finish. Do no finishing in areas where water has accumulated; drain and re-screed. In no case use a sprinkling of cement and sand to absorb moisture.
- C. Tolerances: Measure slabs-on-grade to verify compliance with the tolerance requirements of ASTM E 1155 and ACI 117. Measure floor finish tolerances within 72 hours after slab finishing and before removed of supporting formwork or shoring.
1. Concrete slab flatness and levelness tolerances to meet ACI 117, Section 4.5.6.
 - (a) Minimum requirements at slab-on-ground: Flatness overall min Ff = 20 and levelness overall min FI = 17.
- D. Scratch Finish:
1. Apply scratch finish to monolithic slab surfaces that are to receive mortar setting beds for tile, where mortar set tile is indicated on drawings.
 2. After placing slabs, plane surface to a tolerance not exceeding 1/4" in 10' when tested with a 10' straightedge. Slope surfaces uniformly to drains where required. After leveling, roughen surface before final set, with staff brushes, brooms, or rakes.
- E. Float Finish:
1. Apply float finish to monolithic slab surfaces scheduled to receive trowel finish and other finishes as hereinafter specified.
 2. After screeding, consolidating, and leveling concrete slabs, do not work surface until ready for floating. Begin floating when surface water has disappeared or when concrete has stiffened sufficiently to permit operation of power-driven floats, or both. Consolidate surface with power-driven floats, or by hand floating if area is small or inaccessible to power units. Check and level surface plane to a tolerance not exceeding 1/4" in 10' when tested with a 10' straightedge. Cut down high spots and fill low spots. Uniformly slope surfaces to drains. Immediately after leveling, re-float surfaces to a uniform, smooth, granular texture.
- F. Trowel Finish:
1. Unless otherwise noted, apply trowel finish to monolithic slab surfaces to be left exposed-to-view, or scheduled to receive floor finishes other than setting bed types.

2. After floating, begin first trowel finish operation using a power-driven trowel. Begin final troweling when surface produces a ringing sound as trowel is moved over surface. Consolidate concrete surface by final hand-troweling operation, free of trowel marks, uniform in texture and appearance, and with a surface plane tolerance not exceeding those called out above in section C. Grind smooth surface defects, which would telegraph through applied floor covering system.

G. Non-Slip Broom Finish:

1. Apply non-slip broom finish to exterior concrete platforms, steps and ramps, and elsewhere as indicated.
2. Immediately after trowel finishing, slightly roughen concrete surface by brooming with fiber bristle broom perpendicular to main traffic route. Coordinate required final finish with Architect before application.

3.4 CONCRETE CURING AND PROTECTION

A. General: Protect freshly placed concrete from premature drying and excessive cold or hot temperatures.

1. Start curing procedures as soon as free water has disappeared from concrete surface after placing and finishing.
2. Continue curing as directed by Architect and in accordance with ACI 301 procedures. Avoid rapid drying at end of final curing period.

B. Curing Methods: Perform curing of concrete by either moist curing, by moisture retaining cover curing, membrane curing, or by combinations thereof, as herein specified.

1. Provide moisture curing by following methods:
 - (a) Keep concrete surface continuously wet by covering with water.
 - (b) Continuous water-fog spray.
 - (c) Covering concrete surface with specified absorptive cover, thoroughly saturating cover with water and keeping continuously wet. Place absorptive cover to provide coverage of concrete surfaces and edges, with 4-inch lap over adjacent absorptive covers.
2. Provide moisture-cover curing as follows: Cover concrete surfaces with moisture-retaining cover for curing concrete, placed at widest practicable width with sides and ends lapped at least 3 inches and sealed by waterproof tape or adhesive. Immediately repair any holes or tears during curing period using cover material and waterproof tape.
3. Provide liquid membrane curing as follows:
 - (a) Apply the specified membrane-forming curing compound to damp concrete surfaces as soon as possible after final finishing operations are complete, but not later than 2 hours. Apply uniformly in a continuous operation by power spray equipment or roller equipment in accordance with the manufacturer's directions. Recoat areas that are subjected to heavy rainfall within three hours after initial application. Maintain the continuity of the coating and repair damage to the coat during the entire curing period.
 - (b) Verify compatibility of membrane curing compounds on surfaces that are to be covered with a coating material applied directly to the concrete or with a covering material bonded to the concrete, such as other concrete, liquid floor hardener, waterproofing, dampproofing, membrane roofing, flooring, painting, and other coatings and finish materials, unless otherwise acceptable to the Architect.
 - (c) Do not use curing compounds that will diminish bond of subsequent materials.

4. Curing Formed surfaces: Cure formed concrete surfaces, including walls with forms in place for full curing period or until forms are removed. If forms are removed, continue curing by methods specified above, as applicable.
5. Curing Unformed surfaces: Cure unformed surfaces, such as slabs, floor topping, and other flat surfaces by any of the methods specified herein, as applicable.

3.5 PATCHING

- A. Allow Architect/Structural Engineer to inspect concrete surfaces immediately upon removal of forms. Patch imperfections as directed.

3.6 FIELD QUALITY CONTROL

- A. Contractors Testing Laboratory: As specified in Article 1.03 above.

3.7 DEFECTIVE CONCRETE

- A. Modify or replace concrete not conforming to required lines, details, and elevations.
- B. Repair or replace concrete not properly placed resulting in excessive honeycombing and other defects. Patch, fill, touch up, repair, or replace exposed architectural concrete for each individual area in accordance with Architect's particular directions.

END OF SECTION

SECTION 06 41 16

PLASTIC-LAMINATE-CLAD ARCHITECTURAL CABINETS

1. PART 1 GENERAL

1.1 SECTION INCLUDES

- A. Special fabricated cabinet units.
- B. Countertops.
- C. Preparation for utilities.
- D. Cabinet hardware.
- E. Glass for cabinet units.

1.2 REFERENCES

- A. WI - Woodwork Institute of California: North American Architectural Woodwork Standards 3.1. (NAAWS)
- B. ASTM A167 - Stainless and Heat-Resisting Chromium-Nickel Steel Plate, Sheet, and Strip.
- C. ASTM A653 - Steel Sheet, Zinc Coated, (Galvanized) or Zinc-Iron Alloy-Coated (Galvannealed) by the Hot-Dip Process.
- D. ASTM A924 - General Requirements for Steel Sheet, Zinc-Coated (Galvanized) by the Hot-Dip Process.
- E. ASTM C615 – Standard Specification for Granite Dimension Stone.
- F. ASTM E84 – Test Method for Surface Burning Characteristics of Building Materials.
- G. CBC – California Building Code, (CCR) California Code of Regulations, Title 24, Part 2.
- H. FSC – Forest Stewardship Council.

1.3 QUALITY ASSURANCE - MONITORED COMPLIANCE PROGRAM

- A. Manufacture casework items in accordance with quality standards of the North American Architectural Woodwork Standards of the Woodwork Institute.
- B. All millwork and the installation of millwork shall be monitored for compliance under the scope of the WI Monitored Compliance Program (MCP).
- C. Fees charged by the Woodwork Institute for their monitored compliance service are the responsibility of the casework manufacturer.
- D. Provide WI Inspection Service at the millwork fabricator. Provide to Architect a written report showing the results of the inspection.
- E. Provide WI Certified Compliance Labels on all items of casework and countertops.
- F. Provide WI Inspection Service at the job site. Provide to Architect a written report showing the results of the inspection.
- G. Self Certification by the millwork fabricator or inspection by other than an authorized representative of The Woodwork Institute is not acceptable.
- H. Upon completion of the installation, provide a WI Monitored Compliance Certificate.

1.4 QUALITY ASSURANCE - CERTIFIED SEISMIC INSTALLATION PROGRAM

- A. Install casework items in accordance with the Woodwork Institute's Certified Seismic Installation Program (CSIP)

1.5 REGULATORY REQUIREMENTS

- A. Conform to CBC requirements for flame spread classification in accordance with CBC Section 803 and Table 803.11.
- B. Conform to Flame Spread Classifications for Interior Millwork for flame spread ratings as tested according to ASTM E84.
- C. Materials of this section shall meet the requirements for formaldehyde as specified in the California Air Resources Board's Air Toxics Control Measure (ATCM) for Composite Wood (17CCR 93120 et seq.).

1.6 DELIVERY, STORAGE, AND HANDLING

- A. Deliver, store, and protect products to site under provisions of Section 01 61 00.
- B. Conform to Section 2 of the North American Architectural Woodwork Standards for a climate controlled application.
- C. Delivery of casework shall be made only when the area of installation is enclosed, all plaster and concrete work is dry, the area is broom clean and environmental conditions are as specified.

1.7 ENVIRONMENTAL CONDITIONS

- A. Area of casework installation shall be fully enclosed, well ventilated, and protected from direct sunlight, excessive heat, rain and moisture.
- B. Relative humidity of the area of casework installation shall be maintained between 25 percent and 55 percent with a temperature range of between 60 degrees F to 90 degrees F.
- C. Casework shall be acclimated to the area of installation for a minimum of 72 hours prior to installation.

1.8 SUBMITTALS

- A. Submit shop drawings and product data under provisions of Section 01 33 00.
- B. Include materials, component profiles, fastening methods, assembly methods, joint details, accessory listings, and schedule of finishes.
- C. Provide WI Certified Compliance Label for the Certified Seismic Installation Program on the first page of shop drawings.
- D. Provide WI Certified Compliance label on first page of shop drawings. Include WI inspector's signature.

1.9 WARRANTY

- A. Provide manufacturer's 10 year warranty for solid surface countertops and sinks under provisions of Section 01 77 00.
- B. Warranty to provide for repair or replacement of countertop material and sinks if material fails due to manufacturing defect.

2. PART 2 PRODUCTS

2.1 ACCEPTABLE MANUFACTURERS

- A. Active member of the Woodwork Institute licensed by WI to provide WI Certified Compliance Certificates and Labels for the products and materials specified in this section www.woodworkinstitute.com.

2.2 MATERIALS

- A. Material shall conform to standards of the North American Architectural Woodwork Standards as follows: Section 3, Section 4, Section 10, and Section 11.
- B. Materials: FSC - Forest Stewardship Council certified sustainable harvested wood.

2.3 CABINET DESIGN

- A. Individual cabinets are indicated on the drawings by the WI Cabinet Design Series (CDS) numbering system, Design Ideas.

2.4 MODULAR CASEWORK - LAMINATED PLASTIC COVERED

- A. Fabricate in accordance with Section 10 of the North American Architectural Woodwork Standards.
- | | | |
|-----|---|---|
| 1. | WI Grade: | Custom |
| 2. | Core Material: | Combination Core |
| 3. | Construction: | Style - Frameless |
| 4. | Joinery: | Doweled Joints |
| 5. | Cabinet Backs: | Blind Dadoed. |
| 6. | Cabinet Door Type: | Flush overlay. |
| 7. | Base: | Moisture resistant. |
| 8. | Shelves: | 1-M-2 particle board, with HPDL two sides, 1 inch thick, capable of supporting 50 lb/sq ft load with deflection of L/144. |
| 9. | Shelf Edge Bands | 1mm PVC in color to match shelf. All 4 edges of adjustable shelves to receive banding. |
| 10. | Door and Drawer Edge Bands: | 3mm PVC radiused 1/8 inch at edge. Solid color as selected by Architect. |
| 11. | Exposed Surfaces (Including shelves and interior of open front cabinets): | 0.028 inch high pressure plastic laminate, color and pattern as selected by Architect. A maximum of 5 colors and patterns to be selected. A minimum of 3 color combinations per room may be selected. |
| 12. | Semi-Exposed Surfaces (Behind doors and inside drawers): | Low pressure decorative polyester or melamine laminate 0.020 inch thick in complimentary color to exposed surfaces as selected. |
| 13. | Security and Dust Panels: | Particle board, 3/4 inch |
| 14. | Substitutions: | Under the provisions of Section 01 25 13. |

2.5 LAMINATED PLASTIC COUNTERTOPS

- A. Fabricate in accordance with Section 11 of the North American Architectural Woodwork Standards.
 - 1. WI Grade: Premium.
 - 2. Core Thickness: 0.75 inch minimum.
 - 3. Laminate Thickness: 0.060 inch colorcore or solicolor.
 - 4. Front Edge Covering: Waterfall, no-drip.
 - 5. Backsplash at Top: Integral Coved. 4 inch height.
 - 6. Top of Back Splash: Waterfall with scribe.
 - 7. Construction Type: Assembly 2, deck mount, manufacturer assembled.
 - 8. Plastic Colors and Pattern: To be selected from solid colors woodgrain pattern textured finish.

2.6 STAINLESS STEEL COUNTERTOPS AT CONCESSION ROOM

- A. Stainless Steel: ASTM A167, Type 304, No. 4 finish, 0.050 inch thick.
- B. Core: Particleboard, minimum 3/4 inch thick.
- C. Edge: Marine edge, 1-1/2 inch total thickness.
- D. Backsplash: Integral cove with corners radiused 1-1/2 inch total thickness.
- E. Seams: Continuous welded seams. Grind smooth.

2.7 HARDWARE

- A. Finish: Satin Aluminum.
- B. Shelf Supports: Metal or molded polycarbonate clips set in drilled holes spaced 32 mm on center. Clips to have vertical locating pin for retention of shelf.
- C. Drawer and Door Pulls: Epcos MC-402-4 U-shaped wire pull.
- D. Cabinet Locks: Olympus 500/600 or CompXNational 8173/8178.
- E. Drawer Slides for Drawers 24 inch Wide or Less: Accuride 7432.
- F. Drawer Slides for Drawers over 24 inch Wide: Accuride 3640.
- G. Drawer slides for File Drawers: Accuride 4034.
- H. Hinges: Rockford Process Control, No. 374, or Terry Hinge H08-99L60, heavy duty wrap-around, extended panel, tight pin butts of steel, 2-3/4 inch minimum width with companion magnetic door catch capable of a minimum 10 pound pull capacity. Hinges per leaf: 3'-0" high doors - 2 hinges, 3'-0" to 5'-0" high doors - 3 hinges, 5'-0" to 7'-4" high doors - 4 hinges, 7'-0" to 8'-0" - 5 hinges.
- I. Magnetic Door Catch: Epcos 591/592.
- J. Sliding Door Track Assemblies: Grant 2023N sheaves and Grant 2011 track.
- K. Grommets: Doug Mockett and Company, Inc., www.mockett.com. SG Series; plastic 1-3/4 inch diameter, as required. Colors as selected by Architect.
- L. Hanger Rods: 1-1/16 inch diameter tubing, stainless steel.

- M. Seismic Shelf Lip: 1/4 inch thick x 3 inch high acrylic plastic or PVC edging of color selected by Architect. Ease all edges of plastic.
- N. Countertop Support Bracket: 24 inch x 24 inch x 1/8 inch thick pre-manufactured angled steel bracket, black paint finish, minimum 1,000 lb. load support capability, with 7 predrilled anchor holes per bracket leg. Manufactured by A & M Hardware, Inc. www.aandmhardware.com
- O. Remainder of hardware required shall meet requirements of ANSI/BHMA Grade 1.
- P. Plumbing and electrical service fixtures as indicated in Division 22 and Division 26.
- Q. Substitutions: Under the provisions of Section 01 25 13.

2.8 FABRICATION

- A. Shop assemble casework for delivery to site in units easily handled and to permit passage through building openings.
- B. When necessary to cut and fit on site, provide materials with ample allowance for cutting. Provide trim for scribing and site cutting.
- C. Provide cutouts for plumbing fixtures, inserts, appliances, outlet boxes, and other fixtures and fittings. Verify locations of cutouts from on-site dimensions. Seal contact surfaces of cut edges.
- D. Before installation, seal unfinished material installed for backs, bases, self-edge backing, stripping and other concealed portions with a water-repellant sealer.
- E. Install plastic grommets in the field in plastic laminate casework and Owner furnished furniture as directed by the Owner's Representative and/or Architect.
- F. Install one adjustable shelf for each 1'-0" of height for all wall mounted cabinets.
- G. Provide stretcher at top face of all door and drawer fronts.
- H. Provide locks on all doors and drawers.
- I. Verify keying requirements with Owner. All cabinet and drawer locks to be keyed alike within individual rooms. Provide 4 keys for each room and 4 master keys. Coordinate keying with Section 08 71 00.
- J. Provide vertical markerboard surfacing on cabinet doors as indicated on drawings.

2.9 RESTORATION AND SURFACE PREPARATION OF EXISTING CABINETS

- A. Only skilled workers who are experienced in cabinetry repairs and restoration, have the skills required for the work of this section, and are familiar with the materials and methods required for laminate-clad wood cabinet restoration work shall be used.
- B. In the acceptance or rejection of the restoration work, no allowance will be made for lack of skill on the part of the workers or their lack of experience.
- C. Coordinate restoration of existing surfaces so that they are exposed for a minimal amount of time prior to refinishing to avoid further damage to bare wood.
- D. Protect all adjacent surfaces from damage or deterioration resulting from restoration work.
- E. Protect restoration work in progress to prevent further deterioration of exposed surfaces.
- F. Remove and relocate existing cabinetry to new locations as indicated. Provide additional scribe strips as needed for adjacent cabinetry or abutting walls.
- G. Adjust height of toe space as required to conform to designated height of countertop.
- H. Remove all decayed laminate-clad cabinetry to a clean, sound unaffected substrate.

- I. Remove plastic laminate cladding on face frames and end panels of cabinetry.
- J. All peeling and loose plastic laminate shall be removed.
- K. Wash all surfaces with recommended neutralizing agents to remove any foreign particles and chemical residue.
- L. Remove existing hardware and fill all holes with repair compound. Sand surface even and smooth.
- M. Relaminate face frames and end panels with plastic laminate.
- N. Install new hardware. Installation to include hinges, pulls, locks, and drawer slides. Adjust for proper operation.

3. PART 3 EXECUTION

3.1 INSPECTION

- A. Verify adequacy of backing and support framing.

3.2 INSTALLATION

- A. Set and secure casework in place rigid, plumb, and level.
- B. Install casework in accordance with Section 10 of the North American Architectural Woodwork Standards.
- C. Install casework items in accordance with the Woodwork Institute's Certified Seismic Installation Program (CSIP)
- D. Install countertops in accordance with Section 11 of the North American Architectural Woodwork Standards.

3.3 ADJUSTING AND CLEANING

- A. Adjust doors, drawers, hardware, fixtures and other moving or operating parts to function smoothly and correctly.
- B. Clean casework, counters, shelves, hardware, fittings and fixtures.

END OF SECTION

SECTION 08 33 00

ROLLING COUNTER SHUTTERS

PART 1 GENERAL

1.1 SUMMARY

- A. Section Includes: manual counter doors
- B. Related Sections:
 - 1. 05 50 00 Metal Fabrications. Door opening jamb and head members
 - 2. 06 10 00 Rough Carpentry. Door opening jamb and head members
 - 3. 08 31 00 Access Doors and Panels. Access doors
 - 4. 08 70 00 Hardware.
 - 5. 09 91 00 Painting. Field painting
 - 6. Division 26. Electrical wiring and conduit, fuses, disconnect switches, connection of operator to power supply, and installation of control station and wiring

1.2 SUBMITTALS

- A. Reference Section 01 33 00 Submittal Procedures; submit the following items:
 - 1. Product Data
 - 2. Shop Drawings: Include special conditions not detailed in Product Data. Show interface with adjacent work.
 - 3. Quality Assurance/Control Submittals:
 - a. Provide manufacturer ISO 9001:2015 registration
 - b. Provide manufacturer and installer qualifications - see below
 - c. Provide manufacturer's installation instructions
 - 4. Closeout Submittals:
 - a. Operation and Maintenance Manual
 - b. Certificate stating that installed materials comply with this specification

1.3 QUALITY ASSURANCE

- A. Qualifications:
 - 1. Manufacturer Qualifications: ISO 9001:2015 registered and a minimum of five years experience in producing counter doors of the type specified
 - 2. Installer Qualifications: Manufacturer's approval

1.4 DELIVERY STORAGE AND HANDLING

- A. Reference Section 01 66 00 Product Storage and Handling Requirements.
- B. Follow manufacturer's instructions.

1.5 WARRANTY

- A. Standard Warranty: Two years from date of shipment against defects in material and workmanship
- B. Maintenance: Submit for owner's consideration and acceptance of a maintenance service agreement for installed products

PART 2 PRODUCTS

2.1 MANUFACTURER

- A. Manufacturer:
 - 1. Cornell: 24 Elmwood Avenue, Mountain Top, PA 18707. Telephone: (800) 233-8366.
 - 2. Cookson
 - 3. Clopay Building Products

2.2 PRODUCT INFORMATION

- A. Model: ESC10

2.3 MATERIALS

- A. Curtain:
 - 1. Slat Configuration:
 - a. Galvanized Steel with Finish as Described Below: No. 1F, interlocked flat-faced slats, 1-1/2 inches (38 mm) high by 1/2 inch (13 mm) deep, minimum 22 gauge ASTM A 653, Commercial Quality, galvanized steel with extruded tubular aluminum bottom bar with continuous lift handle and vinyl astragal
 - 2. Finish:
 - a. SpectraShield Ultra – Ultra Powder Coat to be applied as a protective top coat over SpectraShield finish. Top coat is a polyester based structured wear resistant clear powder coat of 2.5-3.5 mils cured film thickness. ASTM D-3363 pencil hardness: 2H or better. Tested per ASTM B117. Base coating of SpectraShield color as selected by Architect from manufacturer's color range, more than 180 colors.
- B. Endlocks:

Fabricate interlocking slat sections with high strength molded nylon endlocks riveted to ends of alternate slats
- C. Guides:
 - 1. Fabrication:
 - a. Aluminum: Heavy duty extruded aluminum sections with snap-on cover to conceal fasteners. Provide polypropylene pile runners on both sides of curtain to eliminate metal to metal contact between guides and curtain.
 - 2. Finish:
 - a. SpectraShield® Coating System (Color Selected by Architect): Zirconium treatment followed by baked-on polyester powder coat, color as selected by Architect from manufacturer's standard color range, over 180 colors; minimum 2.5 mils (0.065 mm) cured film thickness; ASTM D-3363 pencil hardness: H or better

D. Shaft Assembly:

1. Counterbalance Shaft Assembly:

- a. Barrel: Steel pipe capable of supporting curtain load with maximum deflection of 0.03 inches per foot (2.5 mm per meter) of width
- b. Spring Balance: Oil-tempered, heat-treated steel helical torsion spring assembly designed for proper balance of door to ensure that maximum effort to operate will not exceed 25 lbs (110 N). Provide wheel for applying and adjusting spring torque

E. Brackets:

Fabricate from reinforced steel plate with bearings at rotating support points to support counterbalance shaft assembly and form end closures

1. Finish:

- a. SpectraShield® Coating System (Color Selected by Architect): Zirconium treatment followed by baked-on polyester powder coat, color as selected by Architect from manufacturer's standard color range, over 180 colors; minimum 2.5 mils (0.065 mm) cured film thickness; ASTM D-3363 pencil hardness: H or better

F. Hood:

Minimum 24 gauge galvanized steel with reinforced top and bottom edges. Provide minimum 1/4 inch (6.35 mm) steel intermediate support brackets.

1. Finish:

- a. SpectraShield® Coating System (Color Selected by Architect):
 - 1) ASTM A 653 galvanized base coating treated with dual process rinsing agents in preparation for chemical bonding, gray baked-on base coat and gray baked-on polyester finish coat
 - 2) Zirconium treatment followed by baked-on polyester powder coat, with color as selected by Architect from manufacturer's standard color range, over 180 colors; minimum 2.5 mils (0.065 mm) cured film thickness; ASTM D-3363 pencil hardness: H or better

2.4 OPERATION

A. Manual Operation:

- 1. Crank Hoist: Crank hoist operator including crank gear box, steel crank drive shaft and geared reduction unit. Fabricate gear box to completely enclose operating mechanism and be oil-tight.

2.5 ACCESSORIES

A. Locking:

- 1. Thumbturn cylinder lock

PART 3 EXECUTION

3.1 EXAMINATION

- A. Examine substrates upon which work will be installed and verify conditions are in accordance with approved shop drawings
- B. Coordinate with responsible entity to perform corrective work on unsatisfactory substrates
- C. Commencement of work by installer is acceptance of substrate

3.2 INSTALLATION

- A. Install door and operating equipment with necessary hardware, anchors, inserts, hangers and supports
- B. Follow manufacturer's installation instructions

3.3 ADJUSTING

- A. Following completion of installation, including related work by others, lubricate, test, and adjust doors for ease of operation, free from warp, twist, or distortion

3.4 CLEANING

- A. Clean surfaces soiled by work as recommended by manufacturer
- B. Remove surplus materials and debris from the site

3.5 DEMONSTRATION

- A. Demonstrate proper operation to Owner's Representative
- B. Instruct Owner's Representative in maintenance procedures

END OF SECTION

SECTION 08 71 00

DOOR HARDWARE

1. PART 1 GENERAL

1.1 RELATED DOCUMENTS

- A. Drawings and general provisions of Contract, including General and Supplementary Conditions of Division 1 Specification Sections, apply to this Section.

1.2 SUMMARY

- A. This Section includes items known commercially as finish or door hardware that are required for swing, sliding, and folding doors, except special types of unique hardware specified in the same sections as the doors and door frames on which they are installed.
- B. This Section includes the following, but is not necessarily limited to:
 - 1. Door Hardware, including electric hardware.
 - 2. Thresholds, gasketing and weather-stripping.
 - 3. Door silencers or mutes.
- C. Related Sections: The following sections are noted as containing requirements that relate to this Section, but may not be limited to this listing.
 - 1. Division 8: Section - Steel Doors and Frames.
 - 2. Division 28: Section - Fire/Life-Safety Systems

1.3 REFERENCES (Use Date Of Standard In Effect As Of Bid Date.)

- A. 2019 California Building Code, CCR, Title 24.
- B. BHMA – Builders' Hardware Manufacturers Association
- C. CCR – California Code of Regulations, Title 24, Part 2, California State Accessibility Standards.
- D. DHI – Door and Hardware Institute
- E. NFPA - National Fire Protection Association.
 - 1. NFPA 80 - Fire Doors and Other Opening Protectives
 - 2. NFPA 105 - Smoke and Draft Control Door Assemblies
- F. UL - Underwriters Laboratories.
 - 1. UL 10C - Fire Tests of Door Assemblies
 - 2. UL 305 - Panic Hardware
- G. WHI - Warnock Hersey Incorporated
- H. SDI - Steel Door Institute

1.4 SUBMITTALS & SUBSTITUTIONS

- A. General: Submit in accordance with Conditions of the Contract and Division 1 Specification sections.
- B. Submit product data (catalog cuts) including manufacturers' technical product information for each item of door hardware, installation instructions, maintenance of operating parts and finish, and other information necessary to show compliance with requirements.

C. Submit six (6) copies of schedule organized vertically into "Hardware Sets" with index of doors and headings, indicating complete designations of every item required for each door or opening. Include following information:

1. Include a Cover Sheet with;
 - a. Job Name, location, telephone number.
 - b. Architects name, location and telephone number.
 - c. Contractors name, location, telephone number and job number.
 - d. Suppliers name, location, telephone number and job number.
 - e. Hardware consultant's name, location and telephone number.
2. Job Index information included;
 - a. Numerical door number index including; door number, hardware heading number and page number.
 - b. Complete keying information (referred to DHI hand-book "Keying Systems and Nomenclature"). Provision should be made in the schedule to provide keying information when available; if it is not available at the time the preliminary schedule is submitted.
 - c. Manufacturers' names and abbreviations for all materials.
 - d. Explanation of abbreviations, symbols, and codes used in the schedule.
 - e. Mounting locations for hardware.
 - f. Clarification statements or questions.
 - g. Catalog cuts and manufacturer's technical data and instructions.
3. Vertical schedule format sample:

Heading Number 1 (Hardware group or set number – HW -1)					
			(a) 1 Single Door #1 - Exterior from Corridor 101	(b) 90°	(c) RH
			(d) 3' 0"x7' 0" x 1-3/4" x (e) 20 Minute (f) WD x HM		
(g) 1	(h)	(i) ea	(j) Hinges - (k) 5BB1HW 4.5 x 4.5 NRP (l) ½ TMS	(m) 626	(n) IVE
2	6AA	1 ea	Lockset - ND50PD x RHO x RH x 10-025 x JTMS	626	SCH

(a) - Single or pair with opening number and location. (b) - Degree of opening (c) - Hand of door(s)
 (d) - Door and frame dimensions and door thickness. (e) - Label requirements if any. (f) - Door by frame material. (g) - (Optional) Hardware item line #. (h) - Keyset Symbol. (i) - Quantity. (j) - Product description. (k) - Product Number. (l) - Fastenings and other pertinent information. (m) - Hardware finish codes per ANSI A156.18. (n) - Manufacture abbreviation.

- D. Make substitution requests in accordance with Division 1. Substitution requests must be made prior to bid date. Include product data and indicate benefit to the project. Furnish samples of any proposed substitution.
- E. Wiring Diagrams: Provide product data and wiring and riser diagrams for all electrical products listed in the Hardware Schedule portion of this section.
- F. Keying Schedule: Submit separate detailed schedule indicating clearly how the Owner's final instructions on keying of locks has been fulfilled.

- G. Templates for doors, frames, and other work specified to be factory prepared for the installation of door hardware. Check shop drawings of other work to confirm that adequate provisions are made for locating and installing door hardware to comply with indicated requirements.
- H. Furnish as-built/as-installed schedule with close-out documents, including keying schedule and transcript, wiring/riser diagrams, manufacturers' installation and adjustment and maintenance information.
- I. Fire Door Assembly Testing: Submit a written record of each fire door assembly to the Owner to be made available to the Authority Having Jurisdiction (AHJ) for future building inspections.

1.5 QUALITY ASSURANCE

- A. Obtain each type of hardware (latch and lock sets, hinges, closers, exit devices, etc.) from a single manufacturer.
- B. Supplier Qualifications: A recognized architectural door hardware supplier, with warehousing facilities in the project's vicinity, that has a record of successful in-service performance for supplying door hardware similar in quantity, type, and quality to that indicated for this project and that employs an experienced architectural hardware consultant (AHC) who is available to Owner, Architect, and Contractor, at reasonable times during the course of the Work, for consultation.
 - 1. Responsible for detailing, scheduling and ordering of finish hardware.
 - 2. Meet with Owner to finalize keying requirements and to obtain final instructions in writing. To maintain the integrity of patented key systems provide a letter of authorization from the specified manufacturer indicating that supplier has authorization to purchase the key system directly from the manufacturer.
 - 3. Stock parts for products supplied and are capable of repairing and replacing hardware items found defective within warranty periods.
- C. Hardware Installer: Company specializing in the installation of commercial door hardware with five years documented experience.
- D. Fire-Rated Openings: Provide door hardware for fire-rated openings that complies with NFPA Standard No. 80 and requirements of authorities having jurisdiction. Provide only items of door hardware that are listed and tested by UL or Warnock Hersey for given type/size opening and degree of label. Provide proper latching hardware, door closers, approved-bearing hinges and seals whether listed in the Hardware Schedule or not.
 - 1. Where emergency exit devices are required on fire-rated doors, (with supplementary marking on doors' UL labels indicating "Fire Door to be Equipped with Fire Exit Hardware") provide UL label on exit devices indicating "Fire Exit Hardware".
- E. Exit Doors: Operable from inside with single motion without the use of a key or special knowledge or effort.
- F. Product packaging to be labelled in compliance with CA Prop 65, Safe Drinking Water and Toxic Enforcement Act of 1986.

1.6 DELIVERY, STORAGE AND HANDLING

- A. Coordinate delivery of packaged hardware items to the appropriate locations (shop or field) for installation.
- B. Hardware items shall be individually packaged in manufacturers' original containers, complete with proper fasteners. Clearly mark packages on outside to indicate contents and locations in hardware schedule and in work.
- C. Provide locked storage area for hardware, protect from moisture, sunlight, paint, chemicals, etc.
- D. Contractor to inventory door hardware jointly with representatives of hardware supplier and hardware installer until each all are satisfied that count is correct.

1.7 WARRANTY

- A. Provide warranties of respective manufacturers' regular terms of sale from day of final acceptance as follows:
 - 1. "ND" Ten (10) years.
 - 2. Closers: Thirty (30) years
 - 3. Exit devices: Three (3) years.
 - 4. All other hardware: Two (2) years.

1.8 MAINTENANCE

- A. Maintenance Tools and Instructions: Furnish a complete set of specialized tools and maintenance instructions as needed for Owner's continued adjustment, maintenance, and removal and replacement of door hardware.

1.9 PRE-INSTALLATION CONFERENCE

- A. Convene a pre-installation conference at least one week prior to beginning work of this section.
- B. Attendance: Architect, Construction Manager, Contractor, Security Contractor, Hardware Supplier, Installer, Key Owner Personnel, and Project Inspector.
- C. Agenda: Review hardware schedule, products, installation procedures and coordination required with related work. Review Owner's keying standards.

2. PART 2 PRODUCTS

2.1 MANUFACTURERS

<u>Item</u>	<u>Manufacturer</u>	<u>Acceptable Substitutes</u>
Butt Hinges Ives	Hager	
Locks, Latches & Cylinders	Schlage	Or Approved Equal
Exit Devices	Von Duprin	Or Approved Equal
Closers	LCN	Or Approved Equal
Push, Pulls & Protection Plates	Ives	Trimco, DCI
Flush Bolts Ives	Trimco, DCI	
Dust Proof Strikes	Ives	Trimco, DCI
Stops	Ives	Trimco, DCI
Thresholds	Zero	NGP, Pemko
Seals & Bottoms	Zero	NGP, Pemko

2.2 MATERIALS

- A. Hinges: Exterior out-swinging door butts shall be non-ferrous material and shall have stainless steel hinge pins. All doors to have non-rising pins.
 - 1. Hinges shall be sized in accordance with the following:
 - a. Height:
 - 1) Doors up to 42" wide: 4-1/2" inches.
 - 2) Doors 43" to 48" wide: 5 inches.
 - b. Width: Sufficient to clear frame and trim when door swings 180 degrees.

- c. Number of Hinges: Furnish 3 hinges per leaf to 7'-5" in height. Add one for each additional 2 feet in height.
 2. Furnish non-removable pins (NRP) at all exterior out-swing doors and interior key lock doors with reverse bevels.
- B. Heavy Duty Cylindrical Locks and Latches: Schlage "ND" Series as scheduled with "Rhodes" design, fastened with through-bolts and threaded chassis hubs.
 1. Provide cylindrical locksets exceeding the ANSI/BHMA A156.2 Grade 1 performance standards for strength, security, and durability in the categories below:
 - a. Abusive Locked Lever Torque Test – minimum 3,100 inch-pounds without gaining access
 - b. Offset lever pull – minimum 1,600 foot pounds without gaining access
 - c. Vertical lever impact – minimum 100 impacts without gaining access
 2. Cycle life - tested to minimum 16 million cycles per ANSI/BHMA A156.2 Cycle Test with no visible lever sag or use of performance aids such as set screws or spacers
 3. UL 10C for 4'-0" x 10'-0" 3-hour fire door.
 4. Cylinders: Refer to "KEYING" article, herein.
 5. Provide solid steel anti-rotation through bolts and posts to control excessive rotation of lever.
 6. Provide lockset that allows lock function to be changed to over twenty other common functions by swapping easily accessible parts.
 7. Provide locks with standard 2-3/4 inches (70 mm) backset, unless noted otherwise, with 1/2 inch latch throw capable of UL listing of 3 hours on a 4' x 10' opening. Provide proper latch throw for UL listing at pairs.
 8. Provide locksets with separate anti-rotation thru-bolts, and no exposed screws.
 9. Provide independently operating levers with two external return spring cassettes mounted under roses to prevent lever sag.
 10. Provide standard ASA strikes unless extended lip strikes are necessary to protect trim.
 11. Lever Trim: Solid cast levers without plastic inserts, and wrought roses on both sides.
- C. Schlage "L" Series as scheduled with "06" Style Lever and "A" Style Rose.
 1. Locksets to comply with ANSI A156.13, Series 1000, Operational Grade 1 and Security Grade 1 with all standard trims. Locksets shall also comply with UL10C Positive Pressure requirements
 2. Lock case shall be manufactured with heavy 12 gauge steel with fully wrapped design. Lock cases with exposed edges are not acceptable. Lock case shall be multi-functional allowing transformation to a different function without opening lock case.
 3. Latchbolt shall have 3/4" throw and be non-handed, field reversible without opening the lock case. Solid latchbolts and / or plastic anti-friction devices are not acceptable.
 4. The deadbolt, when used, shall be 1" throw stainless steel with a 3/4" internal engagement when fully extended.
 5. All trim shall be through-bolted with the spring cages supporting the trim attached to the lock cases to prevent torqueing.
 6. Levers to have independent rotation in both directions. Exterior lever assembly to be one-piece design attached by threaded bushing. Interior lever assembly shall be attached by screwless shank
 7. Thru-bolt lever assemblies through the door for positive interlock. Locks using a through the door spindle for attachment are not acceptable. Spindles shall be independent, designed to "break-away" at a maximum of 75psi torque.
 8. Hand of lock chassis to be changeable by simply moving one screw from one side to the case to the other and pulling and reversing the latchbolt.
 9. Cylinders to be secured by a cast stainless steel, dual retainer. Locks utilizing screws and / or stamped retainers are not acceptable.

- D. Closers: LCN as scheduled. Place closers inside building, stairs, room, etc.
1. Door closer cylinders shall be of high strength cast iron construction with double heat treated pinion shaft to provide low wear operating capabilities of internal parts throughout the life of the installation. All door closers shall be tested to ANSI/BHMA A156.4 test requirements by a BHMA certified testing laboratory. A written certification showing successful completion of a minimum of 10,000,000 cycles must be provided.
 2. All door closers shall be fully hydraulic and have full rack and pinion action with a shaft diameter of a minimum of 11/16 inch and piston diameter of 1 inch to ensure longevity and durability under all closer applications.
 3. All parallel arm closers shall incorporate one piece solid forged steel arms with bronze bushings. 1-9/16" steel stud shoulder bolts, shall be incorporated in regular arms, hold-open arms, arms with hold open and stop built in. All other closers to have forged steel main arms for strength, durability, and aesthetics for versatility of trim accommodation, high strength and long life.
 4. All parallel arm closers so detailed shall provide advanced backcheck for doors subject to severe abuse or extreme wind conditions. This advanced backcheck shall be located to begin cushioning the opening swing of the door at approximately 45 degrees. The intensity of the backcheck shall be fully adjustable by tamper resistant non-critical screw valve.
 5. Closers shall be installed to permit doors to swing 180 degrees.
 6. All closers shall utilize a stable fluid withstanding temperature range of 120 degrees F. to -30 degrees F. without requiring seasonal adjustment of closer speed to properly close the door.
 7. Provide the manufactures drop plates, brackets and spacers as required at narrow head rails and special frame conditions. NO wood plates or spacers will be allowed.
 8. Maximum effort to operate closers shall not exceed 5 lbs., such pull or push effort being applied at right angles to hinged doors. Compensating devices or automatic door operators may be utilized to meet the above standards. When fire doors are required, the maximum effort to operate the closer may be increased but shall not exceed 15 lbs. when specifically approved by fire marshal. All closers shall be adjusted to operate with the minimum amount of opening force and still close and latch the door. These forces do not apply to the force required to retract latch bolts or disengage other devices that hold the door in a closed position. Per 11B-404.2.8.1, door shall take at least 5 seconds to move from an open position of 90 degrees to a position of 12 degrees from the latch jamb.
- E. Door Stops:
1. Unless otherwise noted in Hardware Sets, provide floor type with appropriate fasteners. Where wall type cannot be used, provide floor type. If neither can be used, provide overhead type.
 2. Do not install floor stops more than four (4) inches from the face of the wall or partition (CBC Section 11B-307).
 3. Overhead stops shall be made of stainless steel and non-plastic mechanisms and finished metal end caps. Field-changeable hold-open, friction and stop-only functions.
- F. Protection Plates: Fabricate either kick, armor, or mop plates with four beveled edges. Provide kick plates 10" high and 2" LDW. Sizes of armor and mop plates shall be listed in the Hardware Schedule. Furnish with machine or wood screws of bronze or stainless to match other hardware.
- G. Thresholds: As Scheduled and per details.
1. Thresholds shall not exceed 1/2" in height, with a beveled surface of 1:2 maximum slope.
 2. Set thresholds in a full bed of butyl-rubber or polyisobutylene mastic sealant complying with requirements in Division 7 "Thermal and Moisture Protection".
 3. Use 1/4" fasteners, red-head flat-head sleeve anchors (SS/FHSL).
 4. Thresholds shall comply with CBC Section 11B-404.2.5.
- H. Seals: Provide silicone gasket at all rated and exterior doors.
1. Fire-rated Doors, Resilient Seals: UL10C Classified complies with NFPA 80 & NFPA 252. Coordinate with selected door manufacturers' and selected frame manufacturers' requirements.

2. Fire-rated Doors, Intumescent Seals: Furnished by selected door manufacturer. Furnish fire-labeled opening assembly complete and in full compliance with UL10C Classified complies with NFPA 80 & NFPA 252. Where required, intumescent seals vary in requirement by door type and door manufacture -- careful coordination required.
 3. Smoke & Draft Control Doors, Provide UL10C Classified complies with NFPA 80 & NFPA 252 for use on "S" labeled Positive Pressure door assemblies.
- I. Door Shoes & Door Top Caps: Provide door shoes at all exterior wood doors and top caps at all exterior out-swing doors.
 - J. Silencers: Furnish silencers for interior hollow metal frames, 3 for single doors, 2 for pairs of doors. Omit where sound or light seals occurs, or for fire-resistive-rated door assemblies.

2.3 KEYING

- A. Furnish a Proprietary Schlage masterkey system as directed by the owner or architect. Key system to be designated and combined by the Schlage Master Key Department even if pinned by the Authorized Key Center, Authorized Security Center or a local authorized commercial dealer.
- B. A detailed keying schedule is to be prepared by the owner and/or architect in consultation with a representative of Allegion or an Authorized Key Center or Authorized Security Center. Each keyed cylinder on every keyed lock is to be listed separately showing the door #, key group (in BHMA terminology), cylinder type, finish and location on the door.
- C. Extend the original Schlage masterkey system established for the City of Rohnert Park
- D. Furnish all cylinders in the Schlage conventional style except the exit device and removable mullion cylinders which will be supplied in Schlage Full Size Interchangeable Core (FSIC). Pack change keys independently (PKI).
- E. Furnish construction keying for doors requiring locking during construction.
- F. Furnish all keys with visual key control.
 1. Stamp key "Do Not Duplicate".
 2. Stamp unique owner identifier from the key bow.
 3. Delete key section identifier from the key bow.
 4. Delete key "bitting" from the key bow.
- G. Furnish all cylinders with visual key control
 1. Stamp (BHMA) key symbol on side of cylinder (CKC).
- H. Furnish mechanical keys as follows:
 1. Furnish 2 cut change keys for each different change key code.
 2. Furnish 1 uncut key blank for each change key code.
 3. Furnish 6 cut masterkeys for each different masterkey set.
 4. Furnish 3 uncut key blanks for each masterkey set.
 5. Furnish 2 cut control keys cut to the top masterkey for permanent I/C cylinders.
 6. Furnish 1 cut control key cut to each SKD combination.
 7. Furnish KS43D2200 padlock for use with non-I/C Schlage cylinders. Furnish 47-413 (conventional) or 47-743-XP (PrimusXP) with above.
 8. Furnish KS43G3200 padlock for use with FSIC Schlage cylinders. Furnish 23-030 (Classic / Everest) or 20-740 (PrimusXP) with above.
 9. Furnish KS41D1200 padlock for use with SFIC Schlage cylinders. Furnish 80-037 (Everest-B) with above.
- I. Furnish Schlage Padlocks and the cylinders to tie them into the masterkey system for gates, storage boxes, utility valve security, roof hatches and roll-up doors keyed as directed in the keying schedule.
 1. Furnish KS43D2200 padlock for use with non-I/C Schlage cylinders. Furnish 47-413 (conventional) or 47-743-XP (PrimusXP) with above.
 2. Furnish KS43G3200 padlock for use with FSIC Schlage cylinders. Furnish 23-030 (Classic / Everest) or 20-740 (PrimusXP) with above.

3. Furnish KS41D1200 padlock for use with SFIC Schlage cylinders. Furnish 80-037 (Everest-B) with above.
- J. Furnish one Schlage cabinet lock for each cabinet door or drawer so designated on the drawings or keying schedule to match the masterkey system.
 1. Furnish CL771R for use with FSIC Schlage cylinders.

2.4 FINISHES

- A. Generally to be satin stainless steel US32D (630) unless otherwise noted.
- B. Door closers shall be powder-coated to match other hardware, unless otherwise noted.
- C. Aluminum items to be finished anodized aluminum except thresholds which can be furnished as standard mill finish.

2.5 FASTENERS

- A. Screws for strikes, face plates and similar items shall be flat head, countersunk type, provide machine screws for metal and standard wood screws for wood.
- B. Screws for butt hinges shall be flathead, countersunk, full-thread type.
- C. Fastening of closer bases or closer shoes to doors shall be by means of sex bolts and spray painted to match closer finish.
- D. Provide expansion anchors for attaching hardware items to concrete.
- E. All exposed fasteners shall have a phillips head.
- F. Finish of exposed screws to match surface finish of hardware or other adjacent work.
- G. All Exit Devices and Lock Protectors shall be fastened to the door by the means of sex bolts or through bolts.

3. PART 3 EXECUTION

3.1 INSPECTION

- A. Verify that doors and frames are square and plumb and ready to receive work and dimensions are as instructed by the manufacturer.
- B. Beginning of installation means acceptance of existing conditions.

3.2 INSTALLATION

- A. Install hardware in accordance with manufacturer's instructions and requirements of DHI.
- B. Use the templates provided by hardware item manufacturer.
- C. Mounting heights for hardware shall be as recommended by the Door and Hardware Institute. Operating hardware will to be located between 34" and 44" AFF.
- D. Set units level, plumb and true to line and location. Adjust and reinforce the attachment substrate as necessary for proper installation and operation.
- E. Drill and countersink units that are not factory-prepared for anchorage fasteners. Space fasteners and anchors in accordance with industry standards.
- F. Set thresholds for exterior doors in full bed of butyl-rubber sealant.
- G. If hand of door is changed during construction, make necessary changes in hardware at no additional cost.

3.3 ADJUST AND CLEAN

- A. Adjust and check each operating item of hardware and each door, to ensure proper operation or function of every unit. Replace units which cannot be adjusted to operate freely and smoothly as intended for the application made.
- B. Clean adjacent surface soiled by hardware installation.
- C. Final Adjustment: Wherever hardware installation is made more than one month prior to acceptance or occupancy, return to that work area and make final check and adjustment of all hardware items in such space or area. Clean operating items as necessary to restore proper function and finish of hardware and doors. Adjust door control devices to compensate for final operation of heating and ventilating equipment.
- D. Instruct Owner's Personnel in proper adjustment and maintenance of hardware finishes, during the final adjustment of hardware.
- E. Continued Maintenance Service: Approximately six months after the completion of the project, the Contractor accompanied by the Architectural Hardware Consultant, shall return to the project and re-adjust every item of hardware to restore proper functions of doors and hardware. Consult with and instruct Owner's personnel in recommended additions to the maintenance procedures. Replace hardware items which have deteriorated or failed due to faulty design, materials or installation of hardware units. Prepare a written report of current and predictable problems (of substantial nature) in the performance of the hardware.

3.4 HARDWARE LOCATIONS

- A. Conform to CCR, Title 24, Part 2; and ADAAG; and the drawings for access-compliant positioning requirements for the disabled.

3.5 FIELD QUALITY CONTROL

- A. Contractor is responsible for providing the services of an Architectural Hardware Consultant (AHC) or a proprietary product technician to inspect installation and certify that hardware and its installation have been furnished and installed in accordance with manufacturers' instructions and as specified herein.

3.6 SCHEDULE

- A. The items listed in the following schedule shall conform to the requirements of the foregoing specifications.
- B. While the hardware schedule is intended to cover all doors, and other movable parts of the building, and establish type and standard of quality, the contractor is responsible for examining the Plans and Specifications and furnishing proper hardware for all openings whether listed or not. If there are any omissions in hardware groups in regard to regular doors they shall be called to the attention of the Architect prior to bid opening for instruction; otherwise, list will be considered Complete. No extras will be allowed for omissions.
- C. The Door Schedule on the Drawings indicates which hardware set is used with each door.

Manufacturers Abbreviations (Mfr.)

IVE	=	Ives	Hinges, Pivots, Bolts, Coordinators, Dust Proof Strikes, Push Pull & Kick Plates, Door Stops & Silencers
GLY	=	Glynn Johnson	Overhead Stops
LCN	=	LCN	Door Closers
SCH	=	Schlage Lock Company	Locks, Latches & Cylinders
ZER	=	Zero International	Thresholds, Gasketing & Weather-stripping

GROUP NO. 01

1	EA	CONT. HINGE	700	630	IVE
1	EA	CLASSROOM DEAD LOCK	L463P6	630	SCH
1	EA	PUSH PLATE	8200 6" X 16"	630	IVE
1	EA	PULL PLATE	8302 10" 4" X 16"	630	IVE
1	EA	SURFACE CLOSER	4111 EDA SRI	689	LCN
1	EA	KICK PLATE	8400 10" X 2" LDW B-CS	630	IVE
1	EA	WALL STOP/HOLDER	WS40	626	IVE
1	EA	GASKETING	188SBK PSA	BK	ZER
1	EA	DOOR SWEEP	39A	A	ZER
1	EA	THRESHOLD	PER DETAIL	A	ZER

GROUP NO. 02

3	EA	HINGE	5BB1 4.5 X 4.5 NRP	630	IVE
1	EA	STOREROOM LOCK	LV9080P6 06A	630	SCH
1	EA	OH STOP & HOLDER	90H	630	GLY
1	EA	KICK PLATE	8400 10" X 2" LDW B-CS	630	IVE
1	EA	GASKETING	188SBK PSA	BK	ZER
1	EA	DOOR SWEEP	39A	A	ZER
1	EA	THRESHOLD	PER DETAIL	A	ZER

GROUP NO. 03

4	EA	HINGE	5BB1HW 4.5 X 4.5 NRP	630	IVE
1	EA	DUTCH DOOR BOLT	054	626	IVE
1	EA	VANDL CLASSROOM LOCK	ND94P6D RHO	626	SCH
1	EA	OH STOP & HOLDER	90H	630	GLY
1	EA	KICK PLATE	8400 10" X 2" LDW B-CS	630	IVE
1	EA	FLOOR STOP	FS18S	BLK	IVE
1	EA	GASKETING	188SBK PSA	BK	ZER
1	EA	DOOR SWEEP	39A	A	ZER
1	EA	THRESHOLD	PER DETAIL	A	ZER

GROUP NO. 04

3	EA	HINGE	5BB1 4.5 X 4.5 NRP	630	IVE
1	EA	CORRIDOR W/DEADBOLT	LV9456P6 06A L583-363	630	SCH
1	EA	SURFACE CLOSER	4111 SCUSH SRI	689	LCN
1	EA	KICK PLATE	8400 10" X 2" LDW B-CS	630	IVE
1	EA	GASKETING	188SBK PSA	BK	ZER
1	EA	DOOR SWEEP	39A	A	ZER
1	EA	THRESHOLD	PER DETAIL	A	ZER

GROUP NO. 05

3	EA	HINGE	5BB1 4.5 X 4.5	630	IVE
1	EA	OFFICE W/SIM RETRACT	L9056P6 06A L583-363	630	SCH
1	EA	FLOOR STOP	FS439	682	IVE
1	EA	GASKETING	188SBK PSA	BK	ZER

GROUP NO. 06

2	SET	SELF CLOSING HINGE	MAMMOTH 180		LOX
1	EA	MULLION	BY GATE FABRICATOR		
2	EA	PANIC HARDWARE	LD-PA-AX-35A-L-06-WH	628	VON
2	EA	MORTISE CYLINDER	26-091	626	SCH

END OF SECTION

Honeybee Pool Renovation

Catalog Cuts

For

Honeybee Pool Renovation

Sorted By Manufacturer

Prepared By

Michelle Bond

Created On 3/30/2023

Generated By



Honeybee Pool Renovation

Table of Contents

Mfr	Catalog Number	Description
LOX	MAMMOTH 180	SELF CLOSING HINGE
SCH	26-091	MORTISE CYLINDER
VON	LD-PA-AX-35A-L-06-WH	PANIC HARDWARE

MAMMOTH-180

LOCINOX®

WWW.LOCINOX.COM



USER GUIDE

- ENGLISH
- NEDERLANDS
- FRANÇAIS
- DEUTSCH
- ENGLISH USA

- As manufacturer of this product, we guarantee that we have taken all the necessary steps in order for this product to comply with the current safety requirements.



Copyright

Copyright © 2014 Locinox. All rights reserved.

This product incorporates copyright protected technology that is protected by a number of EU patent method claims and other intellectual property rights owned by the Locinox Corporation and other rightholders.

Use of this copyright protected technology must be authorized by the Locinox Corporation. Reverse engineering or disassembly is prohibited. No part of this publication can either be reproduced, communicated, transcribed, stored in a retrieval system or be translated into any language in any form or by any means, whether electronic, mechanical, magnetic, optical, chemical, manual or otherwise, unless explicit written consent has been given by the copyright holder.

Notice

The contents of this publication is subject to change. The company reserves the right to alter the contents of this publication at any time and without notice. The contents of this publication may contain inaccuracies or typographical errors and is supplied for informational use only.

Technical Support

If you require any additional information or assistance during the installation, please contact your dealer, who will be able to provide the latest information. Alternatively, you can visit the Locinox website for more technical information or e-mail us on sales@locinox.com

INDEX

Manual - English

1. Introduction	4
2. Package Contents	4
3. Specifications	4
4. Dimensions	5
5. Choose the turning-direction of your gate	5

6. Profile preparation	6
7. Mammoth-180 and Dino preparation	7
8. Mounting the gatecloser	8
9. Finishing Mammoth-180 and Dino	9
10. Speed and final snap adjustment	10
11. Force adjustment	10
12. Finalising the installation	10

Handleiding - Nederlands

1. Introductie	11
2. Inhoud	11
3. Specificaties	11
4. Dimensies	12
5. Keuze van draairichting van de poort	12
6. Voorbereiding van de profielen	13
7. Voorbereiding van Mammoth-180 en Dino	14
8. Montage van de poortsluiter	15

9. Einde installatie Mammoth-180 en Dino	16
10. Instellen van sluitsnelheid en eindslag	17
11. Instellen van de sluitkracht	17
12. Finaliseren van de installatie	17

Manuel - Français

1. Introduction	18
2. Contenu du produit	18
3. Spécifications	18
4. Dimensions	19
5. Choisir le sens d'ouverture de votre porte	19
6. Préparation des profils	20
7. Préparation du Mammoth-180 et du Dino	21
8. Montage de la charnière Ferme-porte	22

9. Finition Mammoth-180 et Dino	23
10. Réglage de la vitesse et de l'a-coup final	24
11. Réglage de la force	24
12. Finalisation de l'installation	24

Betriebsanleitung - Deutsch

1. Einleitung	25
2. Inhalt	25
3. Spezifikationen	25
4. Dimensionen	26
5. Bestimmen Sie die Drehrichtung Ihres Tores	26
6. Vorbereitung der Profile	27
7. Vorbereitung von Mammoth und Dino	28
8. Montage des Türschliessers	29

9. Ende Installation Mammoth-180 und Dino	30
10. Einstellen von Geschwindigkeit und Ends Schlag	31
11. Einstellen der Kraft	31
12. Installation beenden	31

Manual - English USA

1. Introduction	32
2. Package Contents	32
3. Specifications	32
4. Dimensions	33
5. Choose the turning-direction of your gate	33
6. Profile preparation	34

7. Mammoth-180 and Dino preparation	35
8. Mounting the gatecloser	36
9. Finishing Mammoth-180 and Dino	37
10. Speed and final snap adjustment	38
11. Force adjustment	38
12. Finalising the installation	38

MAMMOTH-180

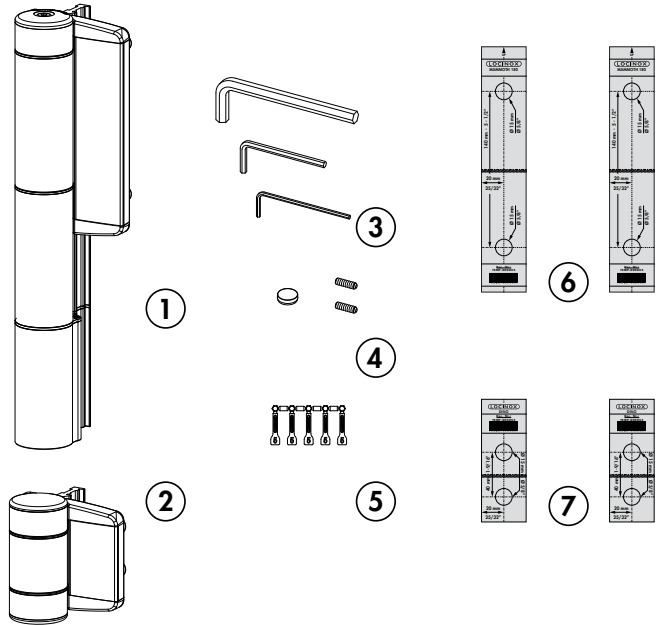
Manual - English USA

1. Introduction

Thank you for choosing a Locinox gatecloser! Please read the following instructions carefully before mounting the Mammoth-180 & Dino to your swing gate. Enclosed you will find all relevant user information concerning the Mammoth.

2. Package Contents

Please check if your package contains the following items:



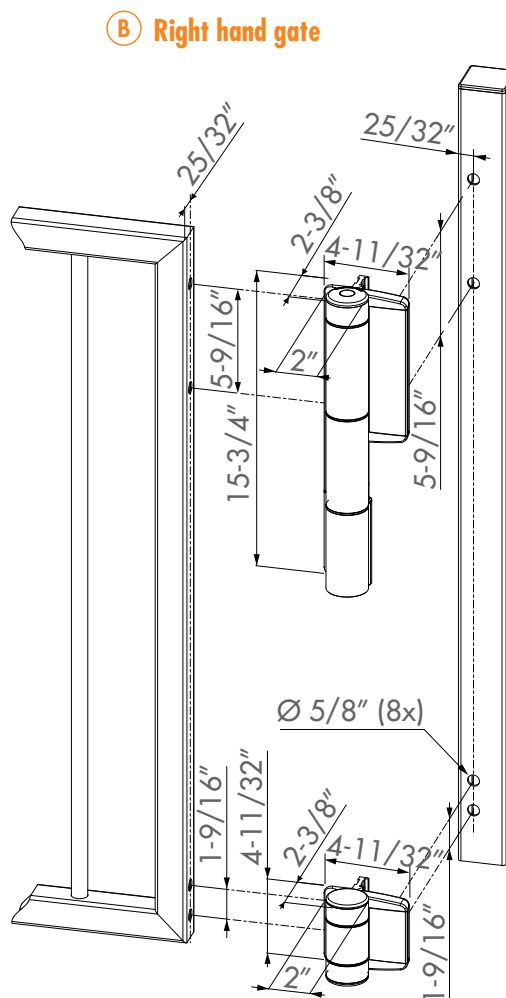
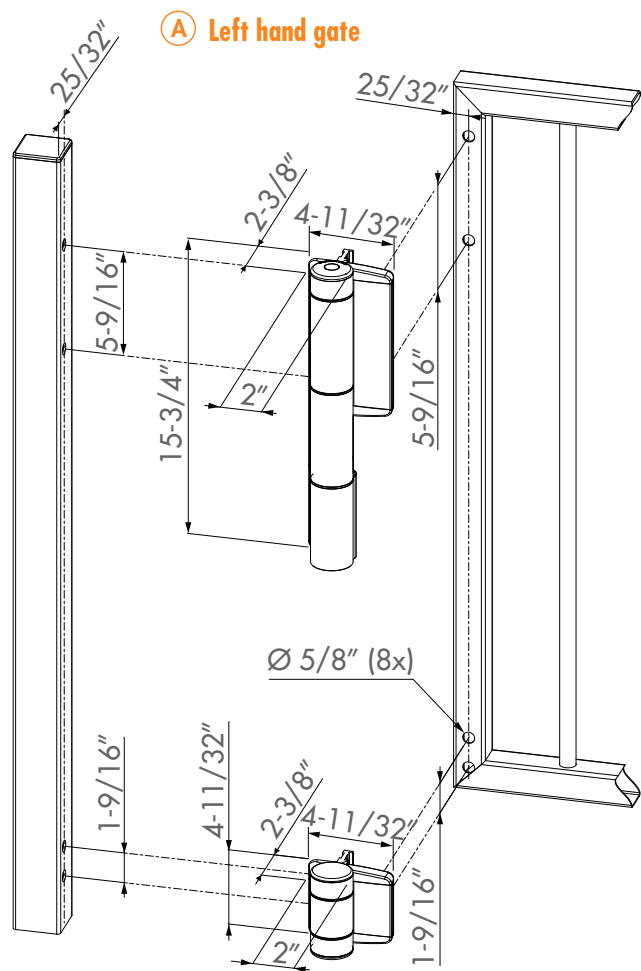
①	Mammoth-180
②	Dino
③	Allen keys 10 - 5 - 3 mm
④	Cover cap (1x) & Setscrew (2x)
⑤	Hexplugs
⑥	Drilling templates for Mammoth-180
⑦	Drilling templates for Dino

Please contact your supplier should any of the above items be damaged or missing.

3. Specifications

- Max Weight: 330 lbs.
- Max Width: 60 inches (for heavy gate)
- Max opening angle: 180°
- Hinge Gap: 9/16" to 1- 3/8" adjustable
- Temperature range: Stable: -4° F to +140° F (-20° C to +70° C)
- Vertical Adjustment: 3/4"
- Horizontal Adjustment: 3/4"
- Smooth or Snap closing action
- Mounting Mammoth: 4 QFs, Dino: 4 QFs
- Drilling Templates Included (2 for Mammoth, 2 for Dino)
- Shipping weight: 10 lbs.

4. Dimensions



5. Choose the turning-direction of your gate

! Before preparing your profiles, decide if you have a left- or right hand gate. The fixing of Mammoth-180 and Dino is different for each situation!

A Left hand gate

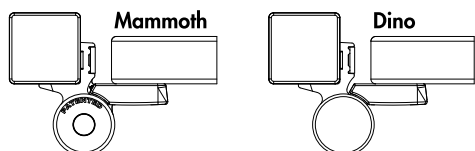
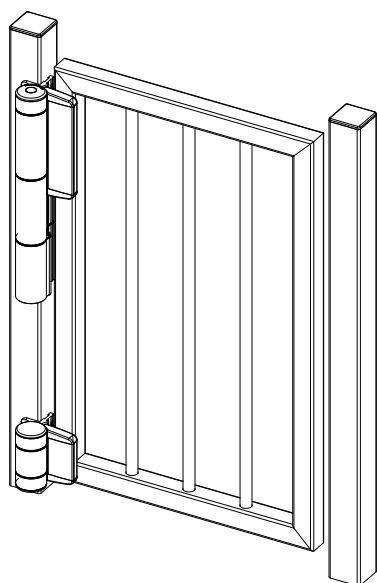


Fig. 5A.1

B Right hand gate

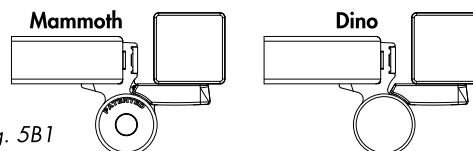
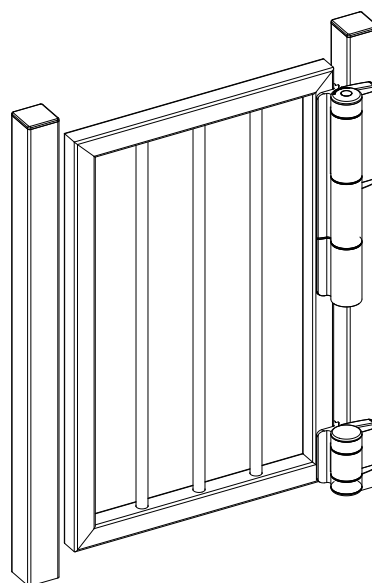
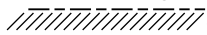


Fig. 5B1

6. Profile preparation

There are four templates included, two for the Mammoth-180 and two for the Dino. Use blocks to hold the gate in place, set the gate into its installed position. Align both sets of templates with the alignment marks .

A Left hand gate

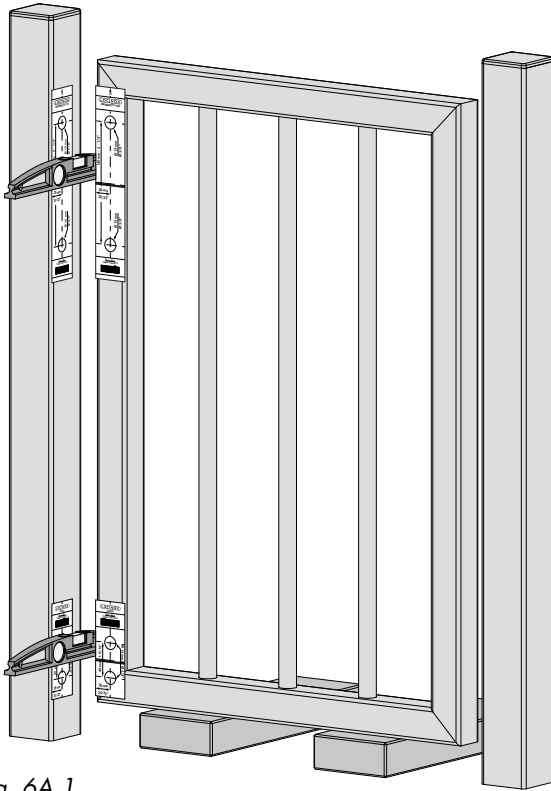


Fig. 6A.1

B Right hand gate

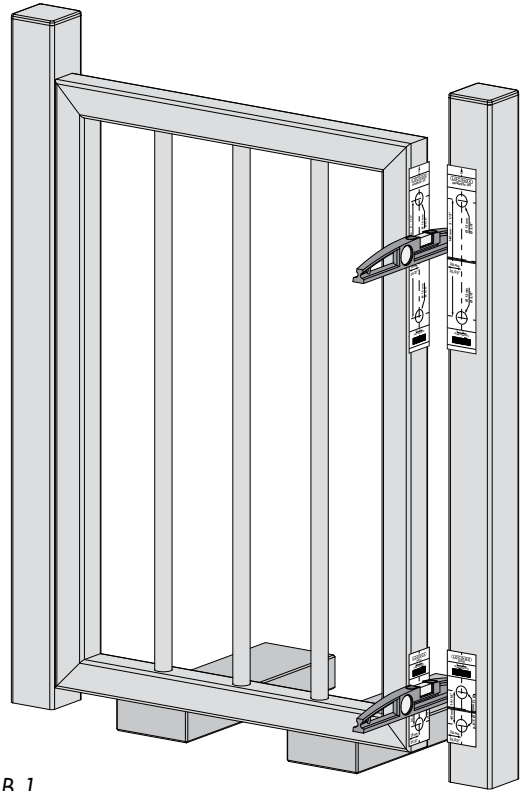


Fig. 6B.1

After aligning stick the templates to gate and post.

A Left hand gate

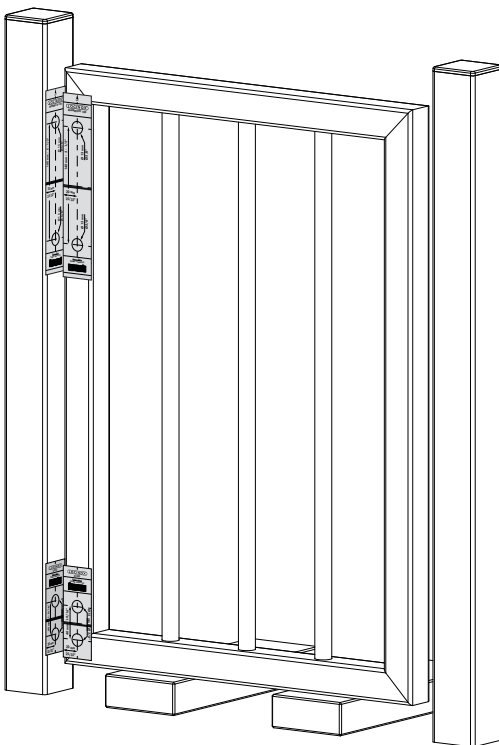


Fig. 6A.2

B Right hand gate

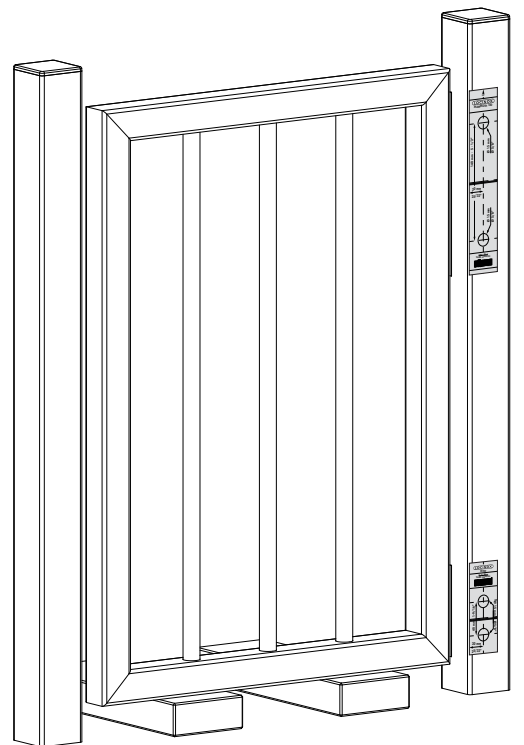


Fig. 6B.2

Center punch the gate and post for the holes, REMOVE THE TEMPLATES, and then drill the holes as marked.

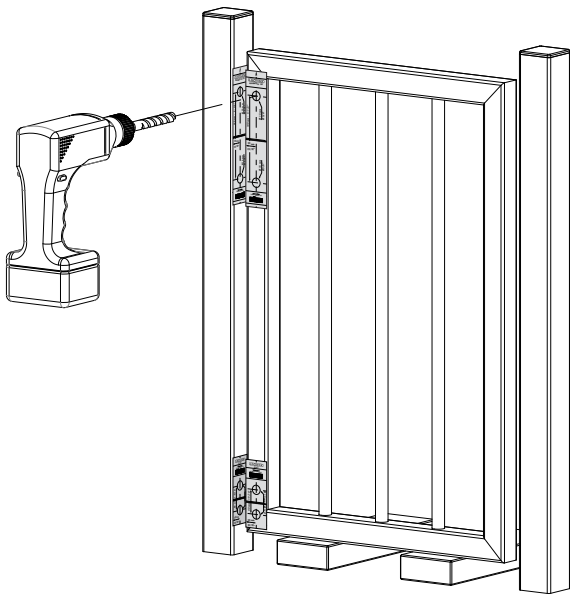


Fig. 6A.3

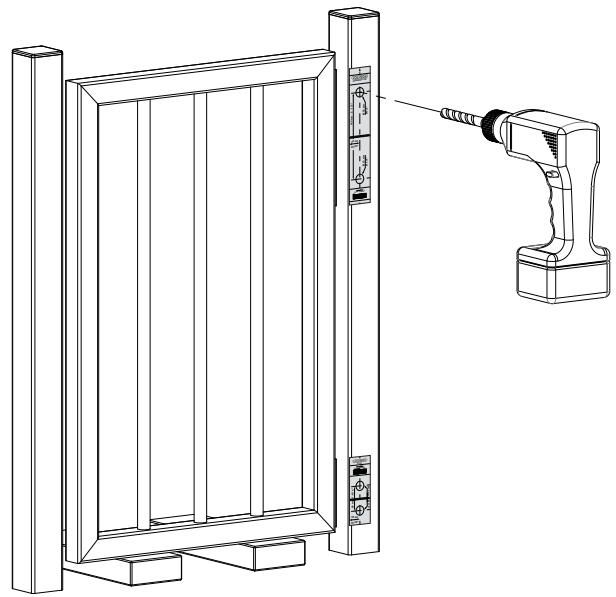


Fig. 6B.3

7. Mammoth-180 and Dino preparation

Remove the covercap and slide out the Quick-Fix cover.

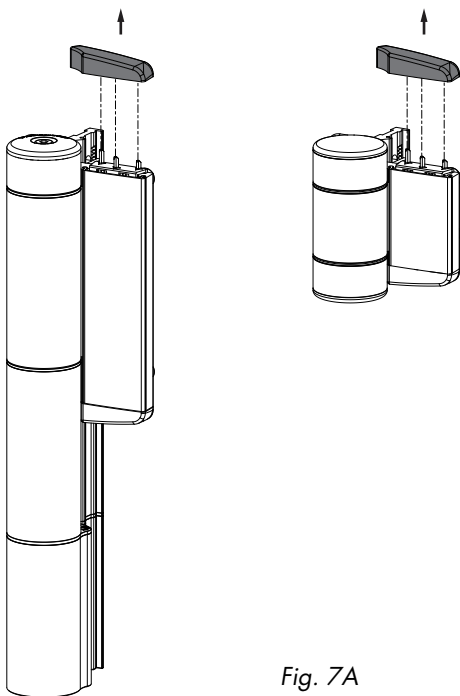


Fig. 7A

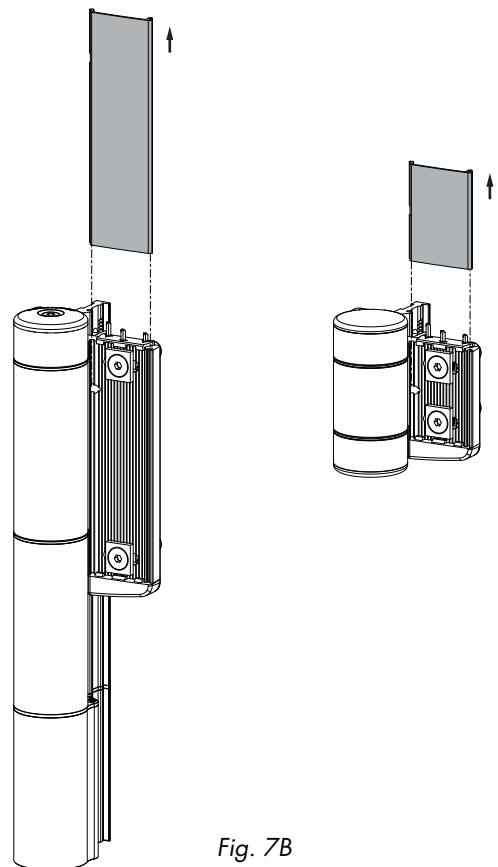



Fig. 7B

8. Mounting the gatecloser

Place the Mammoth-180 on the gate or post and tighten the Quick-Fix bolts.  Always start by mounting the left side hardware (L-wing side). Repeat this process for the Dino.

A Left hand gate

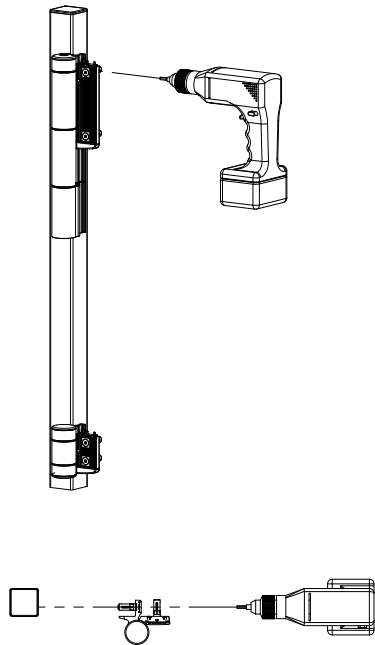


Fig. 8A.1

B Right hand gate

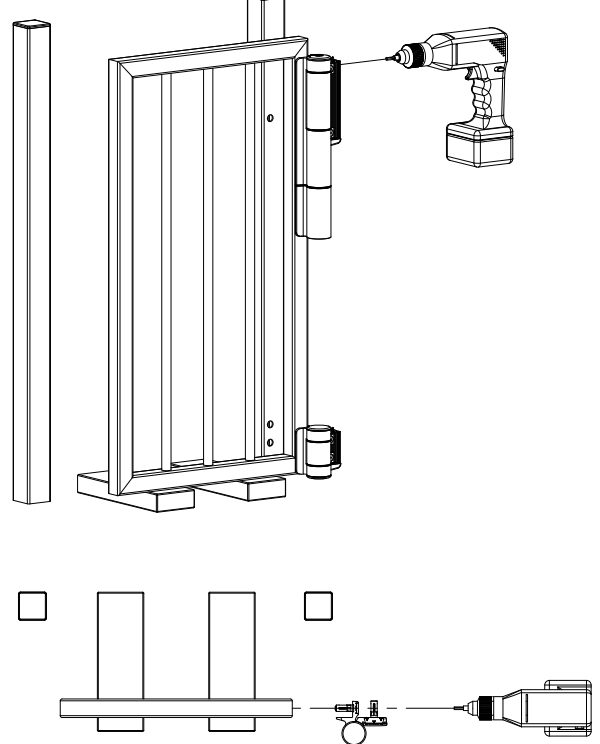


Fig. 8B.1

After mounting the left side, install and tighten the right side hardware.

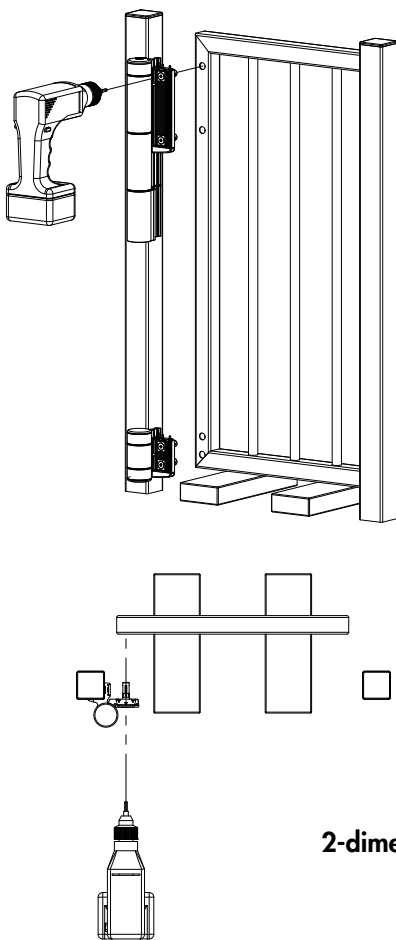


Fig. 8A.2

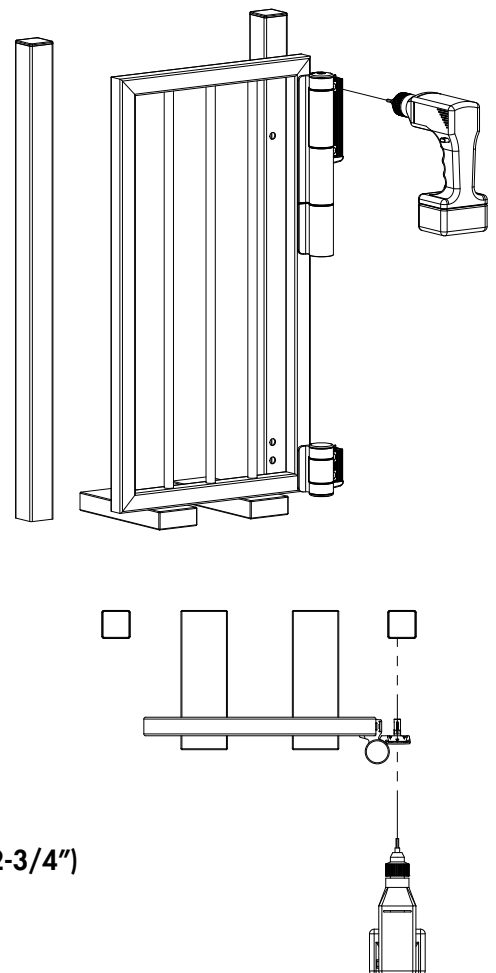
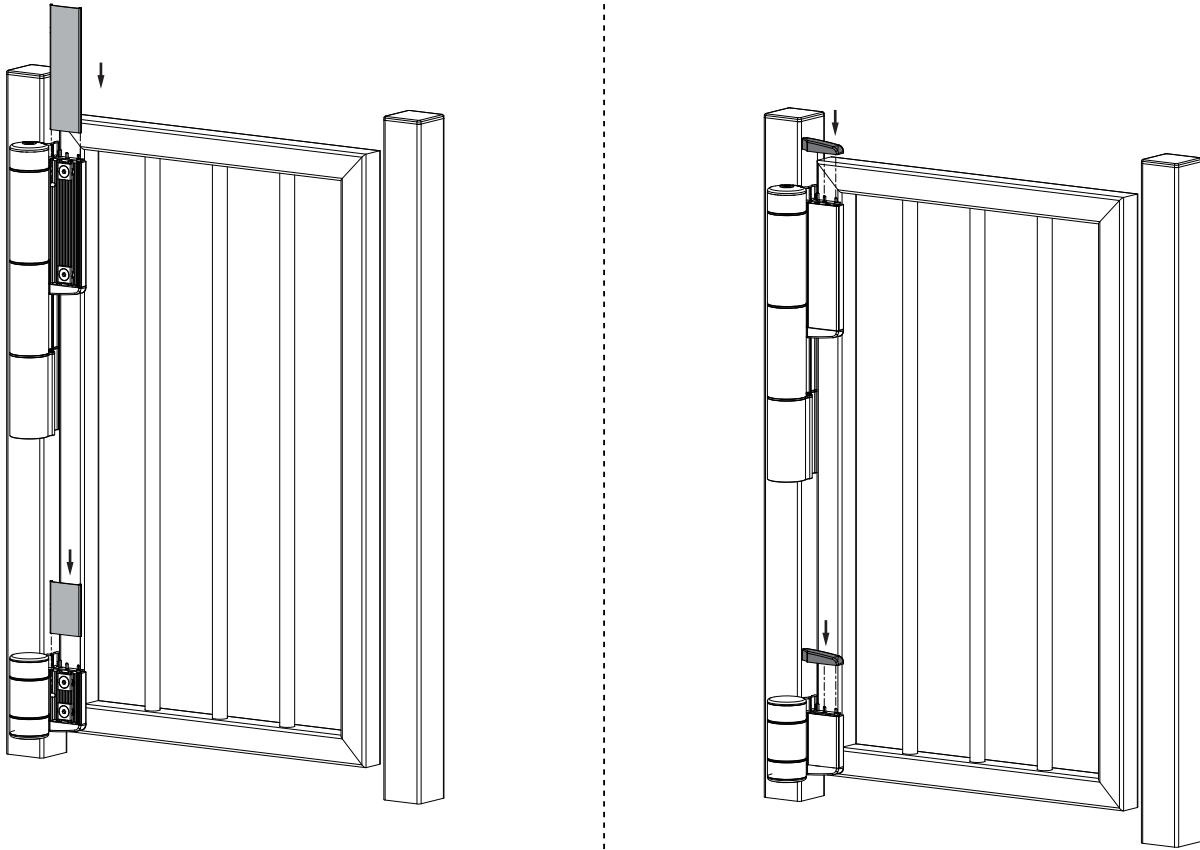


Fig. 8B.2

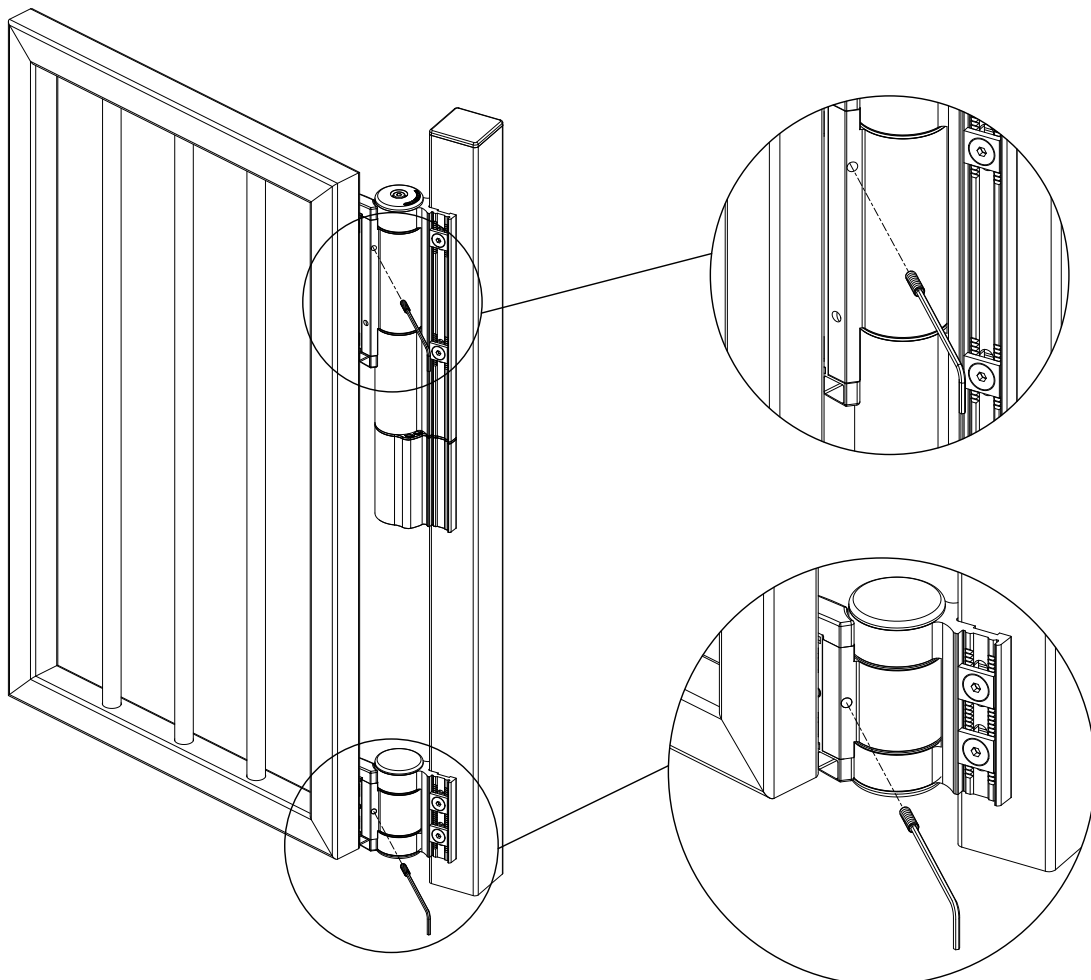
2-dimensionally adjustable (2 x 2-3/4")

9. Finishing Mammoth-180 and Dino

Slide the cart back in place and replace the covercap.

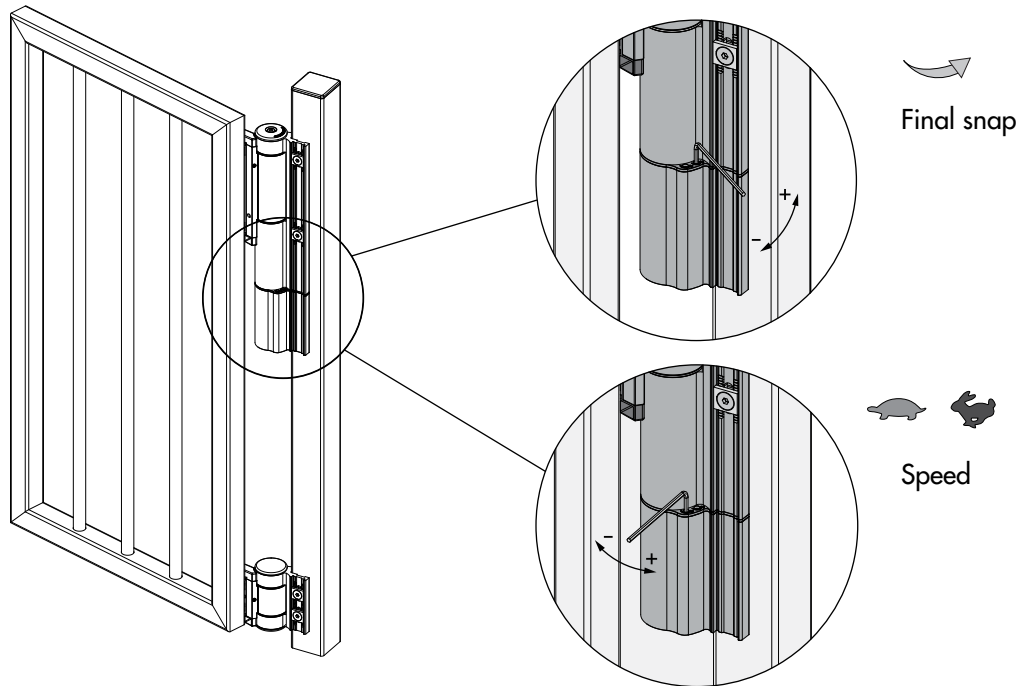


Open the gate and lock the Quick-Fix cover with the included setscrews.



10. Speed and final snap adjustment

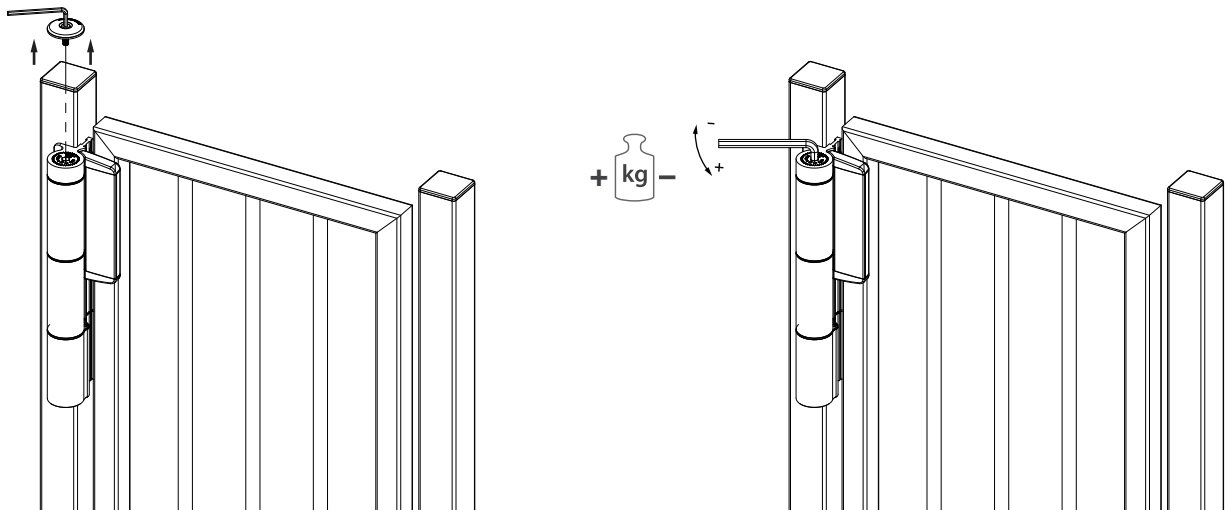
Final snap and speed can be adjusted by means of the included 3 mm Allen key.



11. Force adjustment

Out of the box, the Mammoth 180° is set to its maximum closing-force: 15 Nm. We advise not to adjust the closing-force unless you have a specific application that requires a lower opening force.

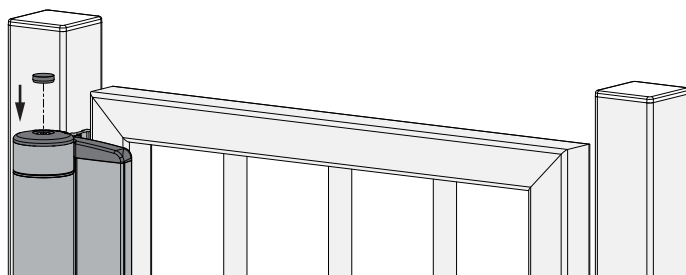
Start by removing the cover cap. Insert the Allen key and push down firmly to disengage the spring. Turn the screw clockwise to decrease the spring force. Max 180° of closing force adjustment. DO NOT use excessive force on the Allen key while adjusting the force.

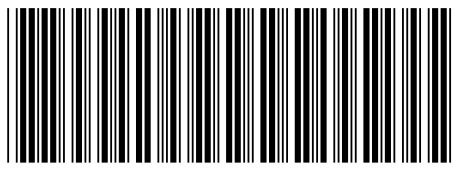


12. Finalising the installation



After installing the Mammoth-180 you can proceed with the installation of your Locinox lock and keep. After the speed, closing force, and final snap action have been tested to your satisfaction, install the cap on the force adjustment screw.





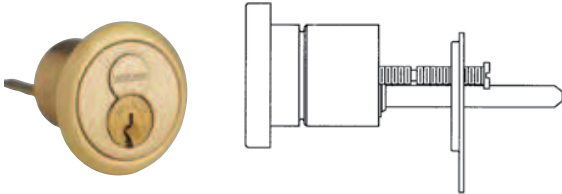
* M A N U - 0 0 0 2 0 1 *

2014-10-22 - rev 2

Copyright © 2014 Locinox. All rights reserved.
All specifications and figures are subject to change without notice.

Locinox nv - Mannebeekstraat 21 - B-8790 - Waregem - Belgium
Tel. +32 (0)56 77 27 66 - Fax. +32 (0)56 77 69 26
E-mail: locinox@locinox.com - Web: www.locinox.com

Full Size Interchangeable Core Cylinders for Exit Devices, Aluminum Doors, etc.



Interchangeable Core Rim Cylinders for Exit Devices

Number	Core Mechanism
20-057	Conventional core
20-757	Primus core
20-757-XP	Primus XP core
20-079	Housing only, less core

Available 605, 606, 609, 610, 612, 613, 625 and 626 finish.



Cylinders for Adams Rite MS and 4700 Series Lori 4500 Series and Corbin Russwin DL3000 Series

Number	Core Mechanism	Collar
26-098	Conventional core	Compression ring & spring
20-062	Conventional core	$\frac{3}{16}'' + \frac{3}{8}''$ blocking rings
20-766	Primus core	$\frac{3}{16}'' + \frac{3}{8}''$ blocking rings
20-766-XP	Primus XP core	$\frac{3}{16}'' + \frac{3}{8}''$ blocking rings
20-060	Housing less core	None

These cylinders include set screw pack B220-050 for Adams Rite locks.



K510-711
Adams Rite
MS Cam

Cylinders for Adams Rite 4070 Series Deadlocks

Number	Core Mechanism	Collar
20-091	Conventional core	$\frac{3}{16}'' + \frac{3}{8}''$ blocking rings
20-722	Primus core	$\frac{3}{16}'' + \frac{3}{8}''$ blocking rings
20-722-XP	Primus XP core	$\frac{3}{16}'' + \frac{3}{8}''$ blocking rings
20-090	Housing less core	None



B520-378
Adams Rite
4070 Cam

- Notes
1. Mortise cylinders available 605, 606, 609, 610, 612, 613, 625, and 626 finish. Cores furnished 606 and 626 only.
 2. To differentiate between Classic and Everest, specify keyway. Example: C or CP (Classic), C123 (Everest).
 3. All cylinders are $1\frac{1}{2}''$ long.
 4. Specify LKB if 0-bitted Primus XP cylinders are required less key blanks.

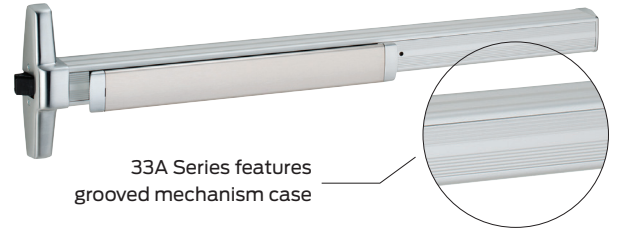
VON DUPRIN®

Exit devices

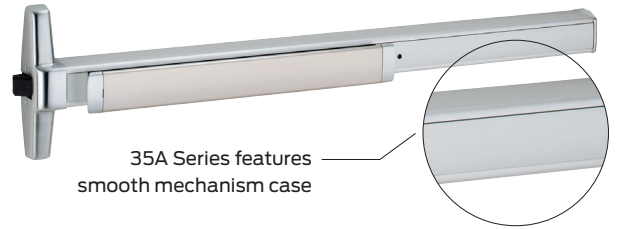
33A/35A Series

Overview

The 33A/35A Series is a narrow stile push pad device popular for its vast application coverage. With many field configurable and upgradeable solutions available, it's easy to enhance the functionality of an existing device. Mechanical and electronic options include quiet electric latch retraction, delayed and controlled egress, concealed vertical cables and security indicators. It's one way Von Duprin® protects its customers' investments long into the future.

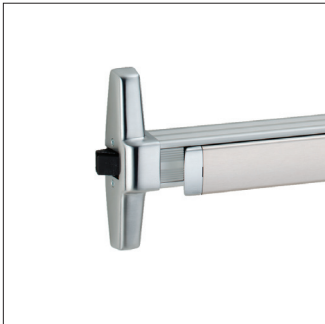


33A Series features grooved mechanism case



35A Series features smooth mechanism case

Device types



Rim device



27A Surface mounted vertical rod device ¹



47A Concealed vertical rod device, $\frac{5}{8}$ " throw¹
48A Concealed vertical rod device, $\frac{5}{8}$ " top, $1\frac{1}{2}$ " bottom throw



49A Concealed vertical cable device ²



50AWDC Concealed vertical cable wood door device

¹ Also available less bottom rod (LBR)

² Also available less bottom latch (LBL)

Finishes



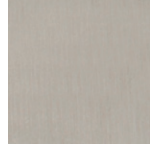
605
Bright Brass



606
Satin Brass



612
Satin Bronze



619
Satin Nickel



622
Matte Black



625
Bright Chrome



626
Satin Chrome



626AM
Satin Chrome,
Antimicrobial



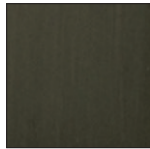
628
Aluminum, Clear
Anodized



630
Satin Stainless



630AM
Satin Stainless,
Antimicrobial



643e
Aged Bronze



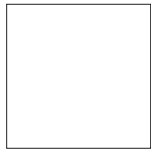
693
Black



710
Dark Brown,
Anodized

Due to the many variations in monitors and printers, color samples may appear different than the physical product. Contact your local sales representative for a physical color sample.

Trim functions



EO No outside trim

- Exit only



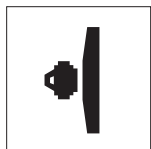
DT Dummy trim

- Pull when dogged (not recommended for fire device)



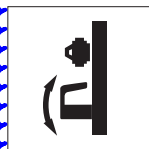
NL Night latch

- Key retracts latchbolt
- Rim cylinder



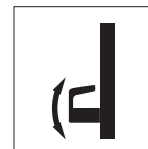
NLOP Night latch

- Key retracts latchbolt, optional pull required



L Lever

- Key locks and unlocks
- 1 1/4" mortise cylinder
- Handed, reversible lever
- Electrified lever operation available



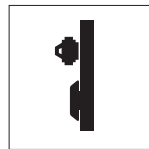
LBE Lever, blank escutcheon

- Always operable (no cylinder)



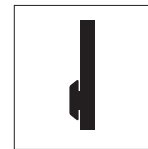
LDT Lever, dummy trim

- Pull when dogged



T Thumbturn

- Key locks and unlocks
- 1 1/4" mortise cylinder



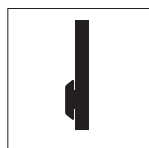
TBE Thumbturn, blank escutcheon

- Blank escutcheon always operable (no cylinder)



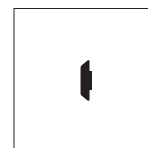
TL Turn lever

- Key locks and unlocks (use with DT trim)
- 1 1/4" mortise cylinder



TLBE Turn lever, blank escutcheon

- Blank escutcheon always operable (no cylinder, use with DT trim)



TLOP Turn lever, optional pull

Trim styles



386



388



360L



360T



374T x 386DT



374T/376T x 8190 10''



388 x 550DT



360T x 550DT



388 x 8190 10''



360T x 8190 10''



392-6

Electromechanical device options

Matrix shows available options per device type but does not represent compatibility across multiple options.

	Switches									Latch retraction			Delayed egress		Misc		
	LX	LX-LC	RX	RX-LC	RX-2	WP-RX	LX-RX	LX-RX-LC	SS	EL	QEL	HD-QEL	CX	CX-RCM	ALK	CON	E360
33A 35A	▪	▪	▪	▪	▪	▪	▪	▪	▪	▪	▪	▪	▪	▪	▪	▪	▪
33A-F 35A-F	▪	▪	▪	▪	▪	▪	▪	▪	▪	▪	▪	▪	▪	▪	▪	▪	▪
3327A 3527A	▪	▪	▪	▪	▪	▪	▪	▪	▪	▪	▪	▪	▪	▪	▪	▪	▪
3327A-F 3527A-F	▪	▪	▪	▪	▪	▪	▪	▪	▪	▪	▪	▪	▪	▪	▪	▪	▪
3347A 3547A	▪	▪	▪	▪	▪	▪	▪	▪	▪	▪	▪	▪	▪	▪	▪	▪	▪
3347A-F 3547A-F	▪	▪	▪	▪	▪	▪	▪	▪	▪	▪	▪	▪	▪	▪	▪	▪	▪
3348A 3548A	▪	▪	▪	▪	▪	▪	▪	▪	▪	▪	▪	▪	▪	▪	▪	▪	▪
3348A-F 3548A-F	▪	▪	▪	▪	▪	▪	▪	▪	▪	▪	▪	▪	▪	▪	▪	▪	▪
3349A 3549A	▪ ¹	▪	▪	▪	▪	▪	▪	▪	▪	▪	▪	▪	▪	▪	▪	▪	▪
3349A-F 3549A-F	▪ ¹	▪	▪	▪	▪	▪	▪	▪	▪	▪	▪	▪	▪	▪	▪	▪	▪
3350AWDC 3550AWDC	▪	▪	▪	▪	▪	▪	▪	▪	▪	▪	▪	▪	▪	▪	▪	▪	▪
3350AWDC-F 3550AWDC-F	▪	▪	▪	▪	▪	▪	▪	▪	▪	▪	▪	▪	▪	▪	▪	▪	▪

¹ For 3349A/3549A devices, LX switch monitors trim input or electric dogging of EL/QEL devices. LX switch does not monitor latchbolt condition.

Mechanical device options

Dogging

- CD** **Cylinder dogging, panic only**
- LD** **Less dogging**
- CDSI** **Cylinder dogging with indicator**
- Provides visible lock/unlock indicators showing whether device is dogged or undogged
- HDSI** **Hex dogging with indicator**
- Provides visible lock/unlock indicators showing whether device is dogged or undogged

Environmental

- PN** **Pneumatic latch retraction**
- For areas where electrical devices banned
 - Special linkage for mechanical or pneumatic dogging
- QM** **Quiet mechanical option**
- Provides damper-controlled relatching of device
- INS** **Insulclad kits**
- Kits with longer fasteners or parts for Insulclad doors
- AM** **Anti-microbial finish**

Weatherized

- WH** **Weep holes**
- Drainage (weep) holes in mechanism case

California code

- AX** **Accessible device**
- UL certified to meet new 5 lb. maximum operating force requirement
 - Exceeds ANSI/BHMA requirements

Latches

- PL** **Pullman latch**
- Latches are always extended
 - Most commonly used in conjunction with electric strikes and LBR-less bottom rod application

Touch bar trim

- RSS** **Red silk screen**
- Red silk-screened lettered touchbar trim
- PUSH** **PUSH**
- Touchbar trim embossed PUSH
- SG** **Safety glow**
- Self-illuminating touchpad
 - Glows brightly during low or no light conditions
- KN** **Knurled touchbar**
- Tactile warning applied to device
- BRaille** **Braille**
- Vision impaired touchpad
 - Raised letter and Braille

Mechanical device options

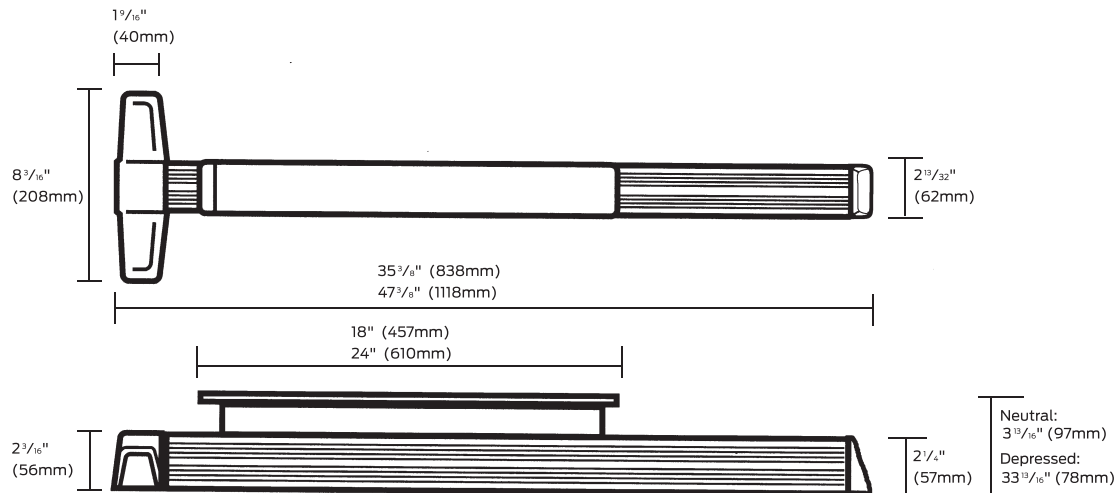
Matrix shows available options per device type but does not represent compatibility across multiple options.

	Dogging				Environmental				Weatherized	CA code	Latches	Touch bar trim				
	CD	LD	CDSI	HDSI	PN	QM	INS	AM	WH	AX	PL	RSS	PUSH	SG	KN	BRAILLE
35A 33A	▪	▪	▪	▪	▪	▪		▪	▪	▪		▪	▪	▪	▪	▪
35A-F 33A-F					▪	▪		▪	▪	▪		▪	▪	▪	▪	▪
3527A 3327A	▪	▪	▪	▪	▪	▪		▪	▪		▪	▪	▪	▪	▪	▪
3527A-F 3327A-F					▪	▪		▪	▪			▪	▪	▪	▪	▪
3547A 3347A	▪	▪	▪	▪	▪		▪	▪	▪		▪	▪	▪	▪	▪	▪
3547A-F 3347A-F					▪			▪	▪			▪	▪	▪	▪	▪
3548A 3348A	▪	▪	▪	▪	▪			▪	▪			▪	▪	▪	▪	▪
3548A-F 3348A-F					▪			▪	▪			▪	▪	▪	▪	▪
3549A 3349A	▪	▪	▪	▪	▪		▪	▪	▪	▪		▪	▪	▪	▪	▪
3549A-F 3349A-F					▪			▪	▪	▪		▪	▪	▪	▪	▪
3550A-WDC 3350A-WDC	▪	▪	▪	▪	▪			▪	▪			▪	▪	▪	▪	▪
3550A-WDC-F 3350A-WDC-F					▪			▪	▪			▪	▪	▪	▪	▪

Specifications

Accessibility	<ul style="list-style-type: none"> ■ Force to depress push pad <ul style="list-style-type: none"> - AX device: 5 lbs - Standard device: 15 lbs ■ Push pad projection <ul style="list-style-type: none"> - Neutral: 3 ¹³/₁₆" (97 mm) - Depressed: 3 ¹/₁₆" (78 mm)
Certifications/ approvals	All Von Duprin 33A and 35A exit devices are ANSI/BHMA Certified. Please refer to the BHMA Certified Products Directory for specific listings.
Mounting height	39 ¹³ / ₁₆ " (1011 mm) 39 ¹¹ / ₁₆ " (1008 mm) with mullion
Warranty	36 months from the date of placing the product in operation

Dimensions





BERKELEY
 2600 TENTH STREET, SUITE 700
 BERKELEY, CA 94710-2597
 510-450-1999 P

HONEYBEE POOL RENOVATION

CITY OF ROHNERT PARK
 1170 GOLF COURSE DRIVE
 ROHNERT PARK, CA 94928



CONSULTANT

VANESSA GARRETT P.E. CE#4141 DATE

REVISION SCHEDULE			
NO	DATE	BY	DESCRIPTION
1	11/03/2022		AGENCY PLAN REVIEW
2	12/02/2022		AGENCY PLAN REVIEW
3	03/01/2023		ADDENDUM 1
4	04/06/2023		ADDENDUM 3

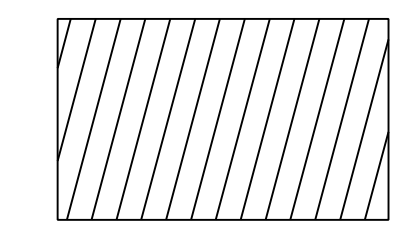
DRAWN: OE / VP CHECKED: OE
 DATE: 02/25/2022 SCALE: 1/8" = 1' - 0"
 PROJECT NUMBER: 2010200

FENCING PLAN

DRAWING NUMBER: **A0.7**

AGENCY BACKCHECK

REFERENCE NOTES



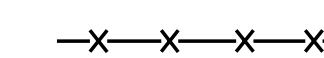
AREA OF SCOPE OF WORK



(N) ACCESS. PATH OF TRAVEL



(E) ACCESS. PATH OF TRAVEL



DEMO AND REPLACE WITH (N) VINYL COATED CHAIN LINK FENCE W/ VAINLY SLATS.
 DEMO FENCE POST AND FOOTINGS

REFERENCE NOTES

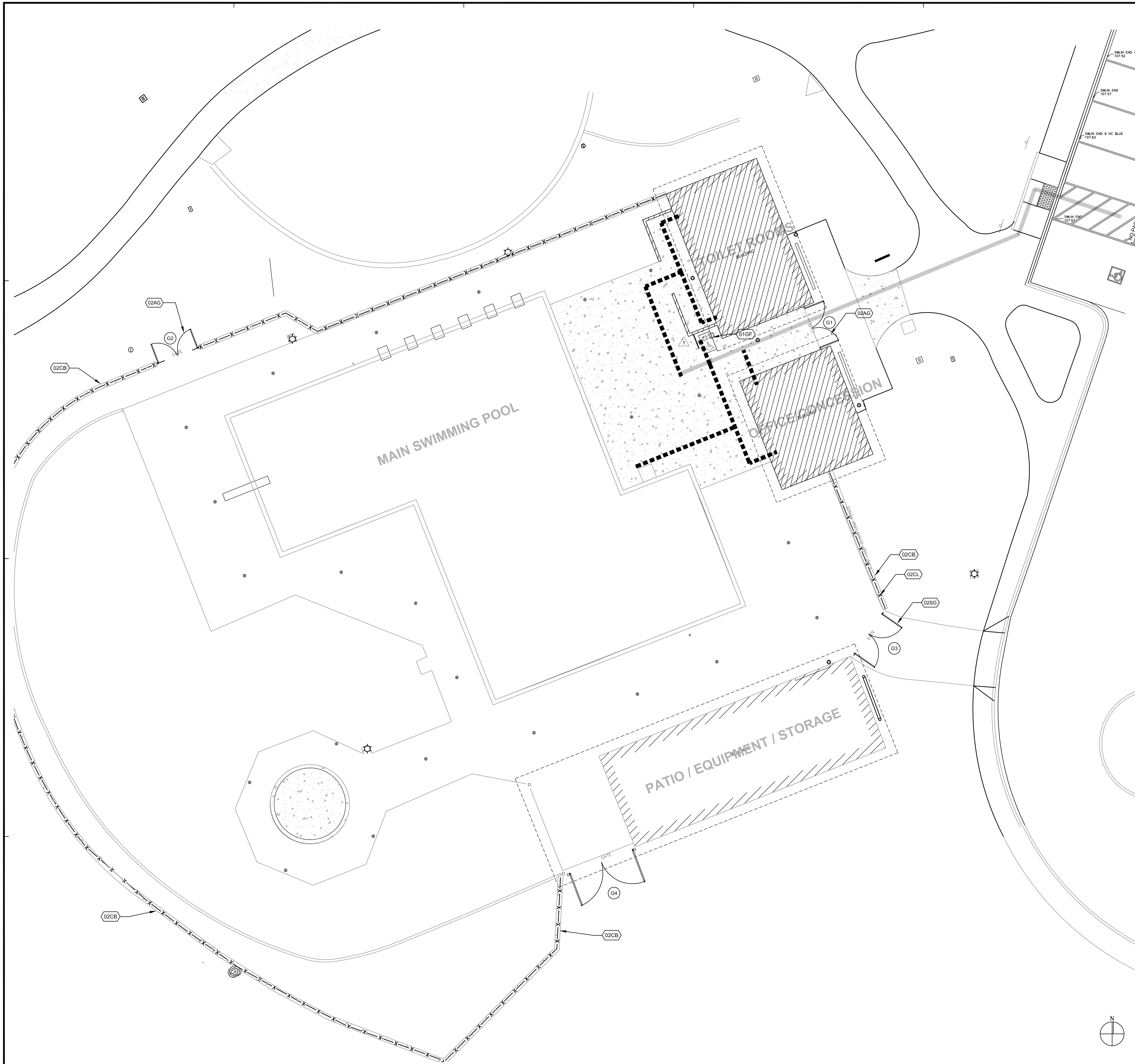
- 01GF ACCESSIBLE DRINKING FOUNTAIN. SEE DETAIL 3/2.1
- 02AG ACCESS PEDESTRIAN GATE. SEE DETAIL 23/2.1
- 02CB 12" CONCRETE BAND AT FENCE SEE DETAIL 19/2.1
- 02CL 7 FEET HIGH CHAIN LINK FENCE & GATE, SEE DETAIL 18/2.1.
- 02SG SERVICE GATE, SEE DETAIL 18/2.1.

GATE SCHEDULE

#	GATE SIZE	DETAIL	SIGNAGE	NOTES	REMARKS
G1	(2) 4'-0" x 7'-0"	23/2.1	-	1, 2	ACCESS GATE
G2	(2) 4'-0" x 7'-0"	23/2.1	-	1, 2	ACCESS GATE
G3	(2) 5'-0" x 7'-0"	18/2.1	-	-	SERVICE GATES
G4	(2) 7'-0" x 7'-0"	18/2.1	-	-	SERVICE GATES

NOTES

1. PROVIDE ACCESSIBLE HARDWARE REQUIRED CLEARANCE
2. CUSTODIAN TO OPEN AND CLOSE GATE. GATES SHALL REMAIN OPEN FROM 7:00 AM TO 3:30 PM.
3. REFER TO DOOR HARDWARE SECTION FOR THE GATE'S HARDWARE GROUP



SITE PLAN

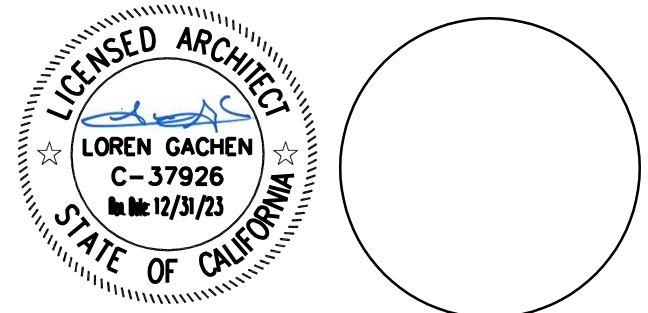
1/8" = 1' - 0"

1



BERKELEY
 2600 TENTH STREET, SUITE 700
 BERKELEY, CA 94710-2597
 510-450-1999 P

HONEYBEE POOL RENOVATION
 CITY OF ROHNERT PARK
 1170 GOLF COURSE DRIVE
 ROHNERT PARK, CA 94928



CONSULTANT

VANESSA GARRETT P.E. CE#4141 DATE
 CITY ENGINEER

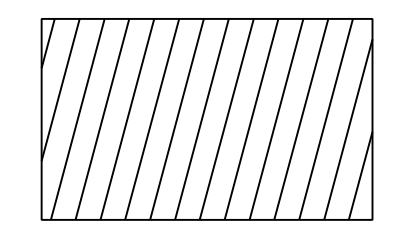
REVISION SCHEDULE			
NO	DATE	BY	DESCRIPTION
1	11/03/2022		AGENCY PLAN REVIEW
2	12/02/2022		AGENCY PLAN REVIEW
3	03/01/2023		ADDENDUM 1
4	04/06/2023		ADDENDUM 3

DRAWN: OE / VP CHECKED: OE
 DATE: 02/25/2022 SCALE: 1/8" = 1' - 0"
 PROJECT NUMBER: 2010200

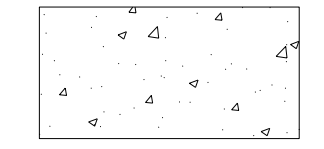
SITE PLAN

DRAWING NUMBER: **A1.0**

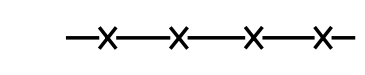
LEGEND



AREA OF SCOPE OF WORK



(N) CONCRETE PAVING, REF CIVIL DWG



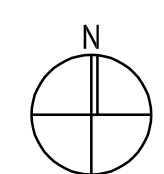
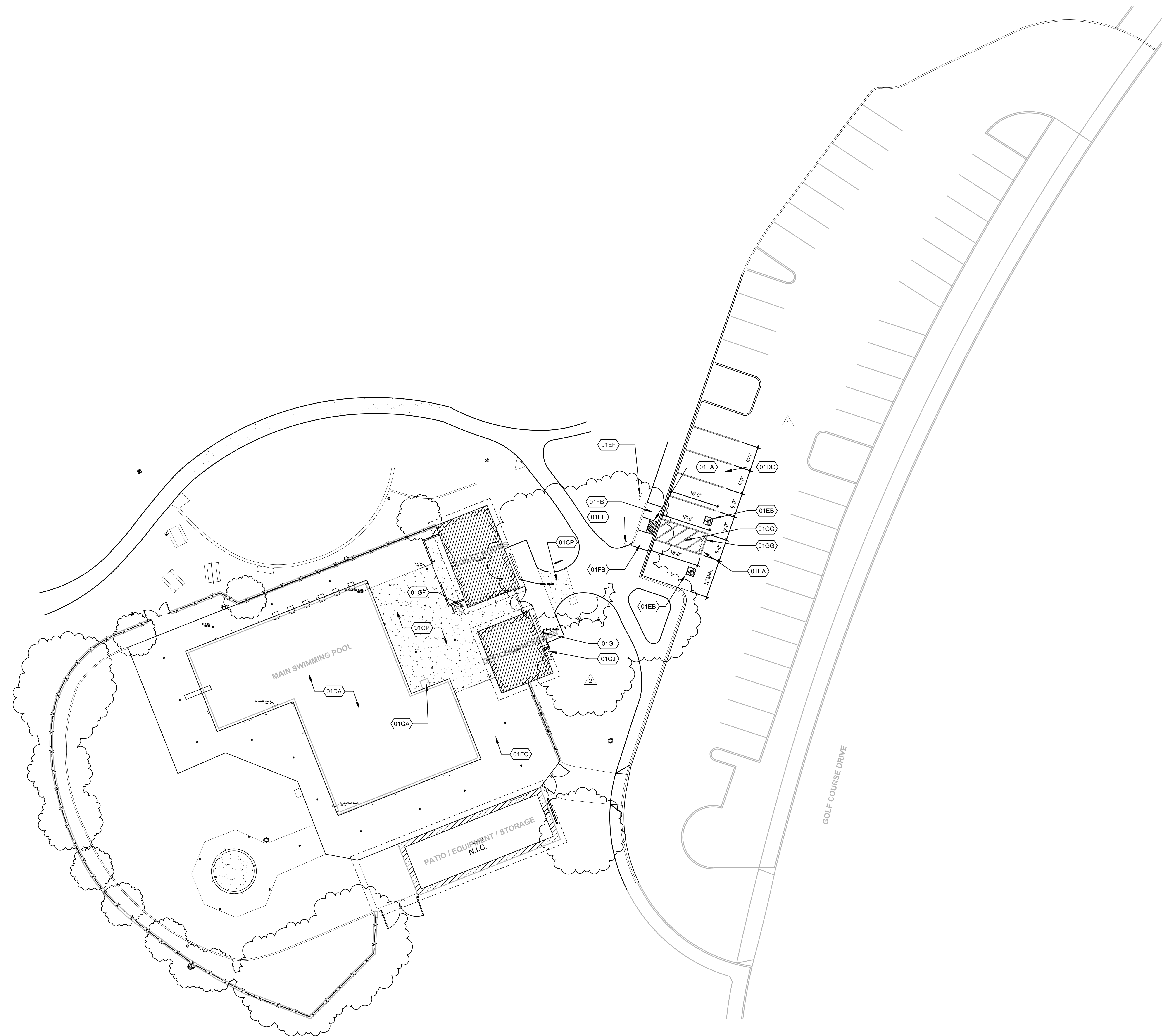
DEMO EXISTING CHAIN-LINK FENCE, CONCRETE FOOTINGS, PROVIDE (N) VINYL COATED CHAIN-LINK FENCE W/ PRIVACY SLATS, REFER DTLS 18 & 22/2.1

REFERENCE NOTES

- 01CP (N) CONCRETE PAVEMENT, S.C.D.
- 01EC (E) CONCRETE PAVING TO REMAIN
- 01DA POOL AREA, SEE AQUATIC DESIGN DRAWINGS
- 01DC (E) ASPHALT CONCRETE PAVING TO REMAIN
- 01EA (N) PAVEMENT MARKING, BLUE PAINT COLOR
- 01EB (N) ISA PAVEMENT MARKING, SEE DETAIL 11/10.2
- 01EF (E) ACCESSIBLE PARKING STALL SIGN
- 01FA (E) TACTILE TRUNCATED DOME TO REMAIN
- 01FB (E) ACCESSIBLE CURBED RAMP TO REMAIN
- 01GA ACCESSIBLE POOL CHAIR LIFT, SEE DETAIL 4/2.1
- 01GF ACCESSIBLE DRINKING FOUNTAIN, SEE DETAIL 3/2.1
- 01GG 4" WHITE HATCHED LINES AT 36" ON CENTER
- 01GH 12" HIGH WHITE LETTERING AS FOLLOWS: NO PARKING
- 01GI BIKE RACK TO REMAIN AND PROTECT IN PLACE
- 01GJ TRASH AND RECYCLING AREA

PARKING COUNT

2019 CBC TABLE 11B-2002	VISITOR
REGULAR STALLS	39
ACCESS PARKING	1
VAN ACCESS PARKING	1
TOTAL	41



REFERENCE NOTES

DIMENSIONS



BERKELEY
2600 TENTH STREET, SUITE 700
BERKELEY, CA 94710-2597
510-450-1999 P

HONEYBEE POOL RENOVATION

CITY OF ROHNERT PARK
1170 GOLF COURSE DRIVE
ROHNERT PARK, CA 94928



CONSULTANT

VANESSA GARRETT P.E. CE#4141 DATE

REVISION SCHEDULE			
NO	DATE	BY	DESCRIPTION
1	11/03/2022		AGENCY PLAN REVIEW
2	12/02/2022		AGENCY PLAN REVIEW
3	03/01/2023		ADDENDUM 1
4	04/06/2023		ADDENDUM 3

DRAWN: OE / VP CHECKED: OE

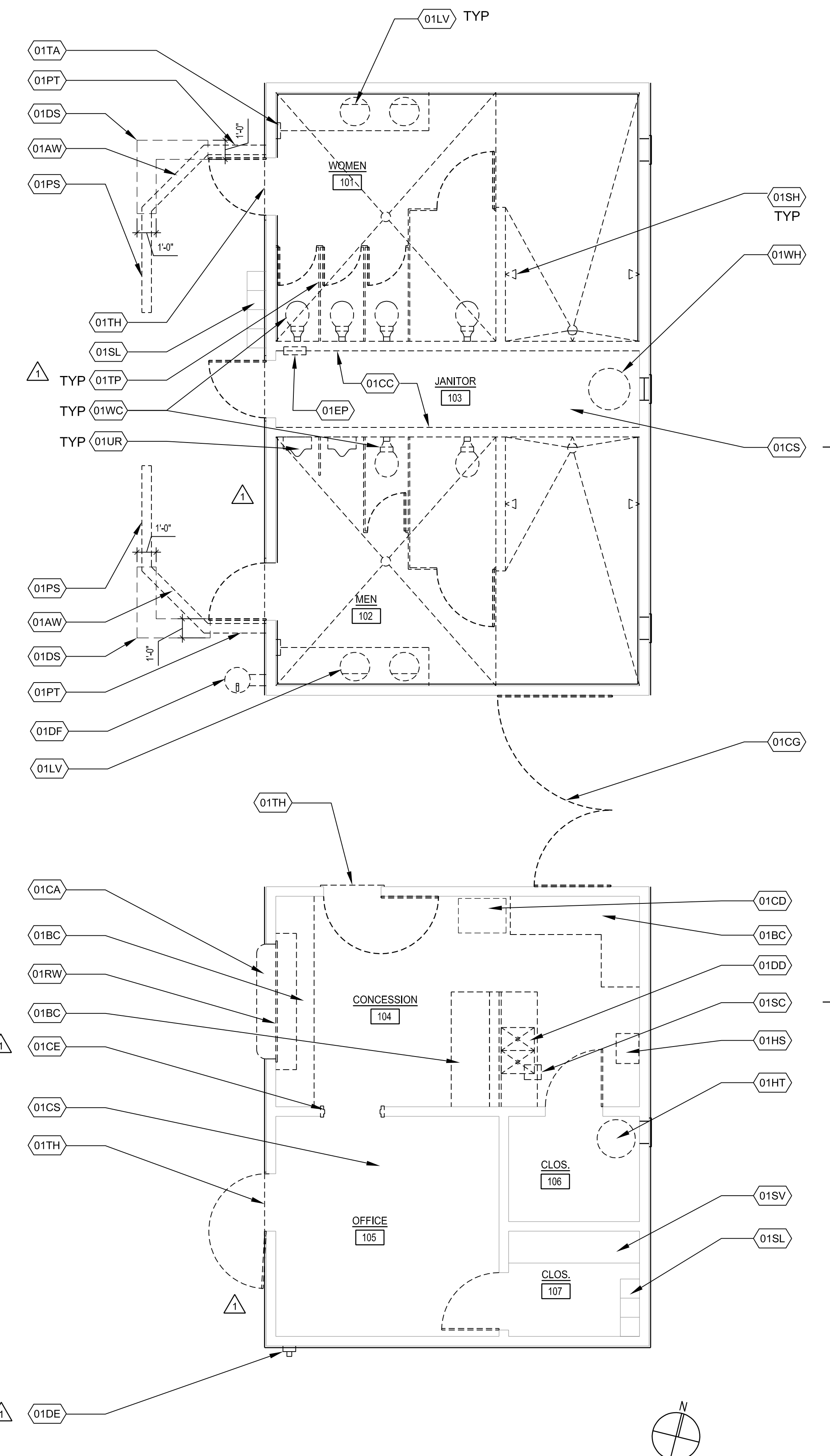
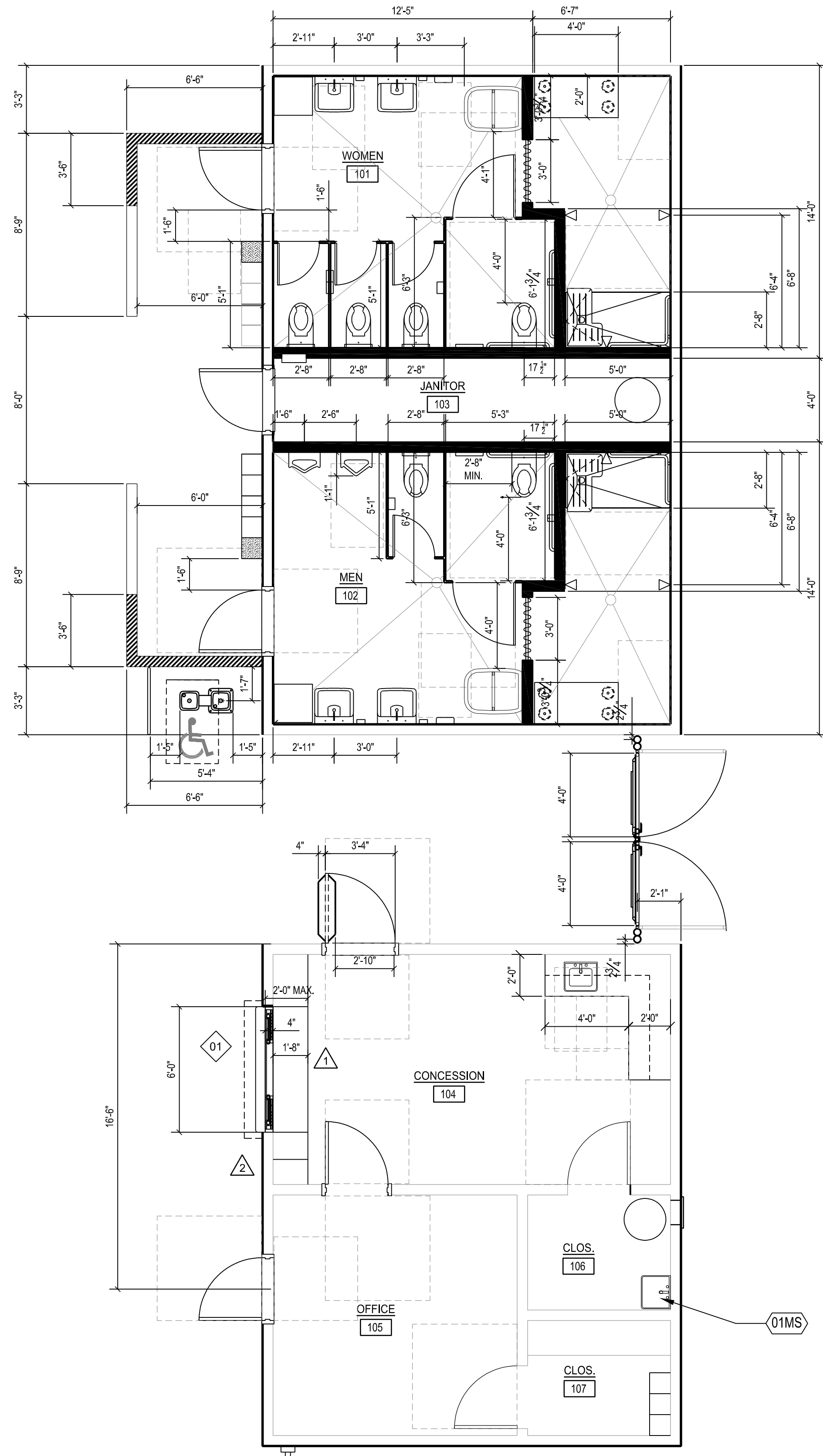
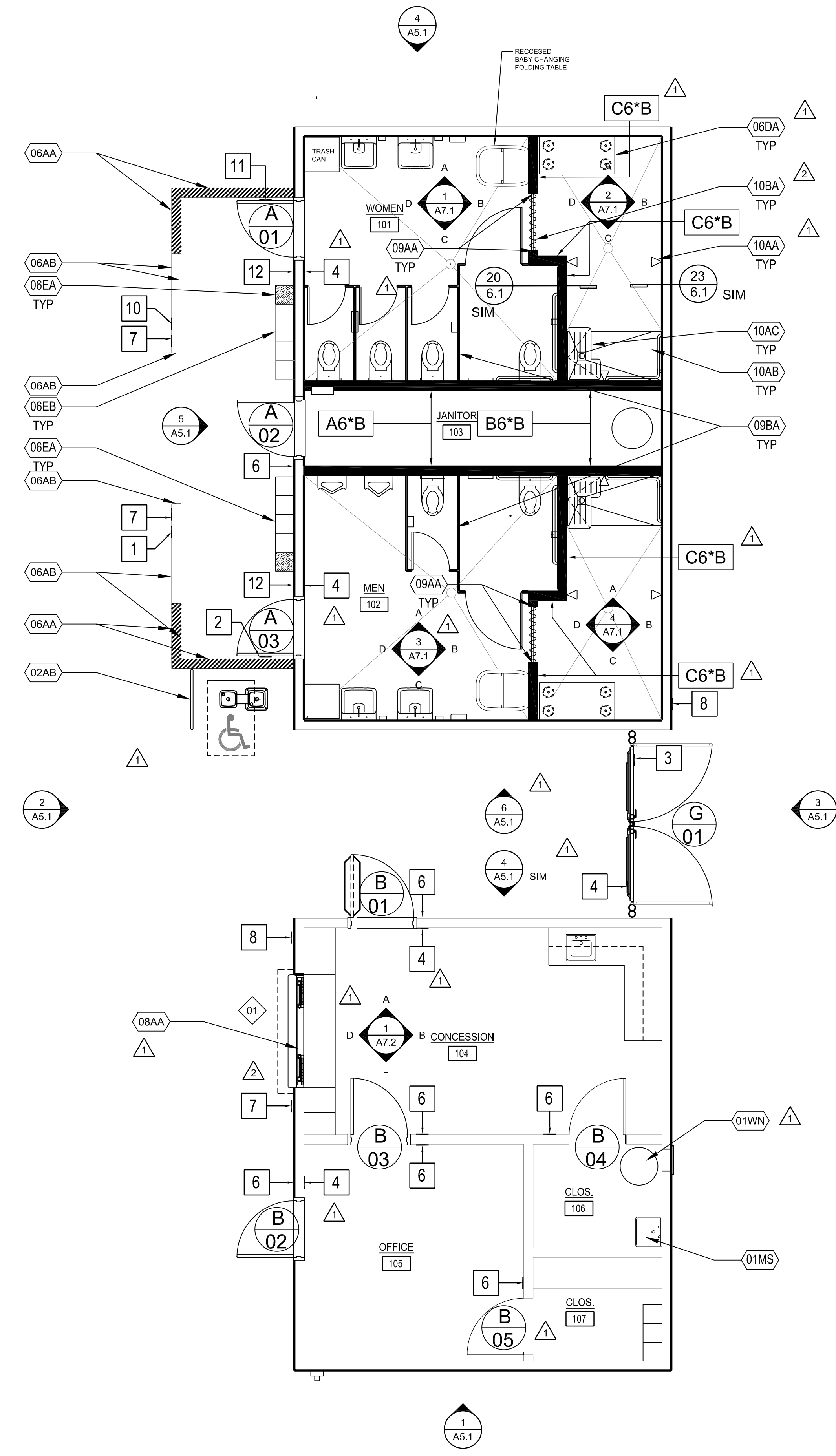
DATE: 02/25/2022 SCALE: 1/4" = 1'-0"

PROJECT NUMBER: 2010200

DEMO & FLOOR PLAN

DRAWING NUMBER: A2.1

AGENCY BACKCHECK



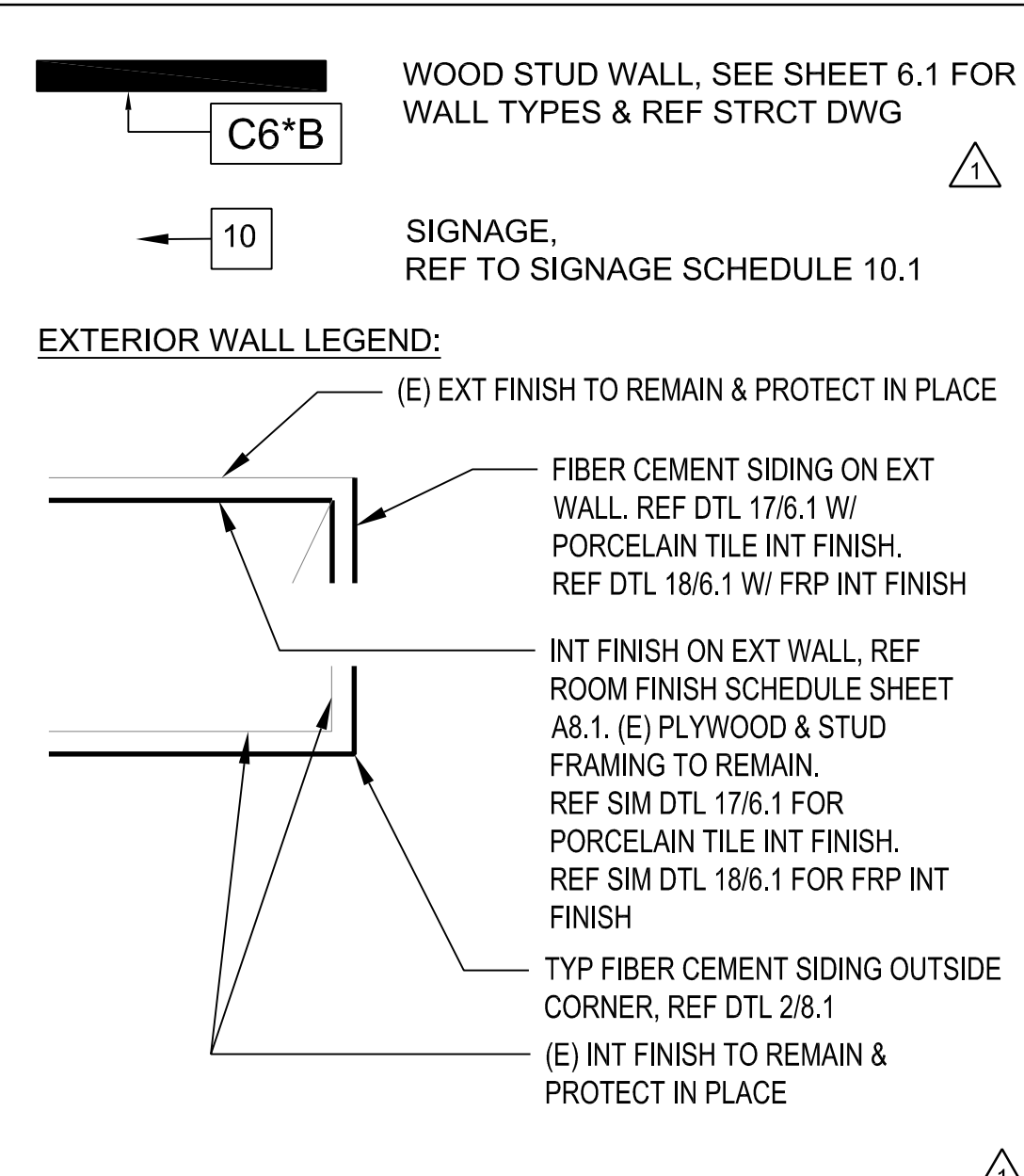
FLOOR PLAN 1/4" = 1'-0" 2

EXISTING DEMOLITION PLAN 1/4" = 1'-0" 1

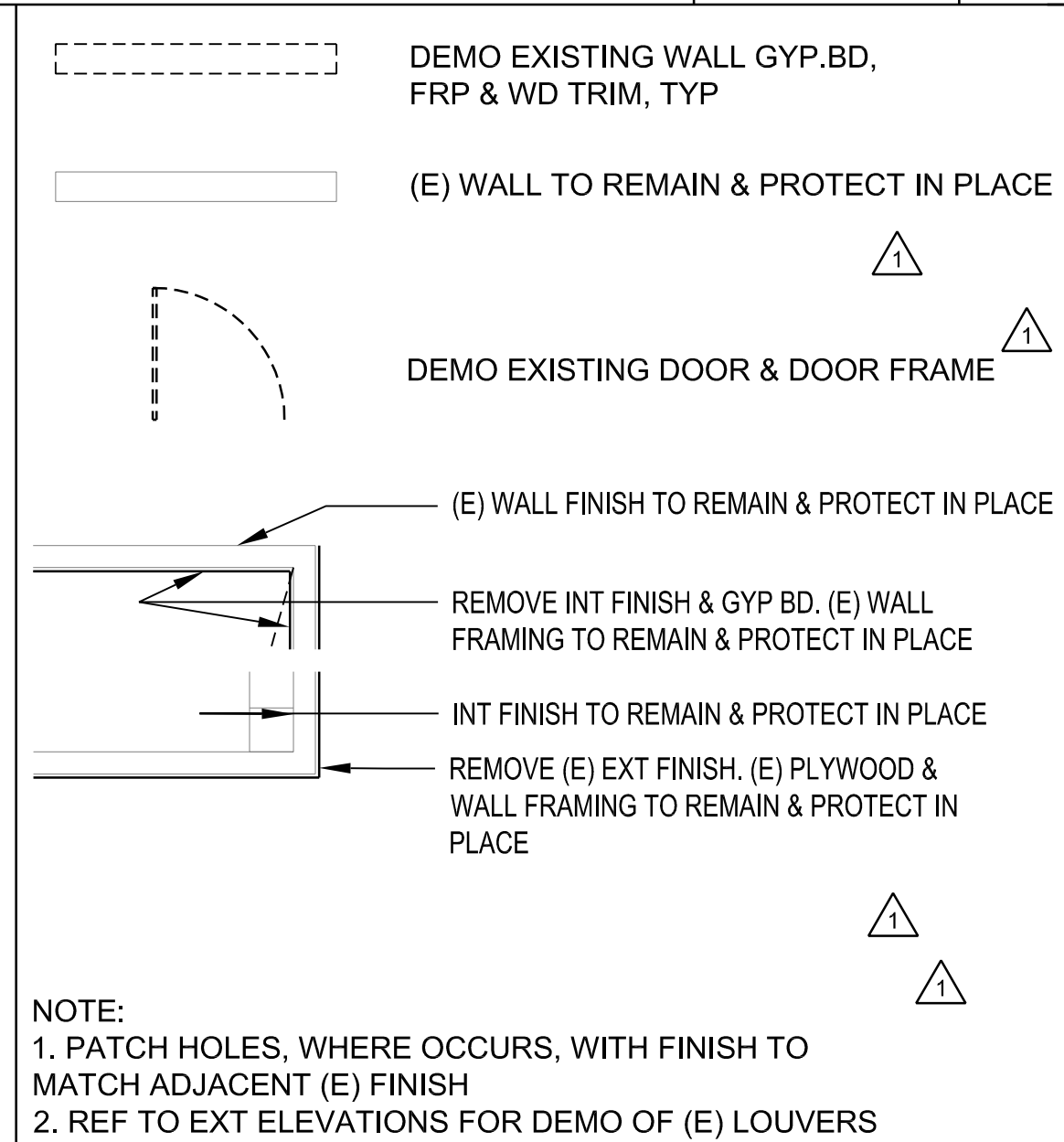
- (01AW) DEMO 2X FRAMING, PLYWOOD & SAWCUT CONC. CURB UP TO 6" DEEP
- (01BC) DEMO CABINET & BASE
- (01CA) DEMO PLAM COUNTER
- (01CC) DEMO (E) CONC. CURB 2x4 STUDS, TYP.
- (01CD) REMOVE (E) FREEZER & DELIVER TO OWNER
- (01CE) REMOVE (E) DOOR FRAME
- (01CG) DEMO CHAIN LINK GATES, POST, & CONCRETE FOOTINGS
- (01CS) (E) CONC. SLAB TO REMAIN, TYP.
- (01DD) DEMO S.S.S DOUBLE SINK & DELIVER TO OWNER
- (01DE) (E) CAMERA TO REMAIN & PROTECT IN PLACE
- (01DF) DEMO DRINKING FOUNTAIN
- (01DS) SAWCUT & DEMO CONC. SLAB, TYP.
- (01EP) DEMO ELEC. PANEL "B", S.E.D.
- (01HS) DEMO HAND SINK
- (09BA) RESTROOM PARTITION, REF DTL 6/6.2
- (10BA) CURTAIN ROD W/ SHOWER CURTAIN, REF TO SPEC

- (01HT) DEMO WATER HEATER
- (01LV) DEMO LAVATORY, CONNECTIONS, COUNTERTOP & SUPPORTS, TYP.
- (01PS) DEMO PLYWOOD, TRIMS, GSM AT (E) PRIVACY SCREEN (E) 2X FRAMING & CONC. CURB TO REMAIN. REPLACE DAMAGED 2X FRAMING DUE TO DRY ROT
- (01PT) DEMO 2X FRAMING PLYWOOD, TRIMS, GSM AT (E) PRIVACY SCREEN (E) CONC. CURB TO REMAIN
- (01RW) DEMO (E) ROLL-UP DOOR ASSEMBLY & COORDINATE W/ DTL 12/6.2 TO DEMO SILL ASSEMBLY TO ACCOMMODATE HEIGHT OF COUNTER.
- (01SC) DEMO FLOOR SINK & CAPPING
- (01SH) DEMO SHOWER HEAD & PIPING CONNECTIONS, TYP.
- (08AA) WINDOW W/ ROLL-UP DOOR @ CONCESSION, REF DTL 10/8.1
- (01SL) (E) METAL LOCKER TO REMAIN
- (01SV) (E) WOOD SHELVING TO REMAIN
- (01TA) DEMO TOILET ACCESSORIES, TYP.
- (01TH) DEMO DOOR THRESHOLD, TYP.
- (09AA) CONTINUE PORCELAIN TILE FINISH @ JAMB OF OPENING

- (01TP) DEMO TOILET PARTITION TYP.
- (01UR) DEMO URINAL & PIPING CONNECTIONS, TYP.
- (01WC) DEMO WATER CLOSET & PIPING CONNECTIONS, TYP.
- (01WH) REMOVE (E) WATER HEATER DURING EXPOXY APPLICATION AND RE-CONNECT (E) WATER HEATER BACK AFTER EXPOXY WORK IS COMPLETED
- (01WN) (N) WATER HEATER. SEE DWG P2.0
- (06AA) PRIVACY SCREEN, REF DTL 2/6.2
- (06AB) PER KEYNOTE 01PS, PROVIDE PRIVACY SCREEN ASSEMBLY ALL SIDES, REF SIM DTL 2/6.2
- (02AB) GUARDRAIL AT DRINKING FOUNTAIN, REF DTL 10/2.1
- (10AA) STD. SHOWER HEAD
- (10AB) ADA ROLL-IN SHOWER STALL
- (10AC) ADA ROLL-IN SHOWER SEAT
- (06DA) ACCESSIBLE WOOD BENCH, REF DTL 3/6.2
- (06EA) METAL LOCKERS, REF DTL 5/6.2
- (06EB) (E) METAL LOCKERS TO BE MOUNTED BACK TO ORIGINAL LOCATION. PROVIDE 2X6 PRESSURE TREATED WOOD BLOCK AND CLOSE ALL SIDES, REF SIM DTL 5/6.2
- (01MS) (N) MOP SINK



FLOOR PLAN LEGEND



DEMO LEGEND

REFERENCE NOTES

FLOOR PLAN LEGEND

DEMO LEGEND



BERKELEY
 2600 TENTH STREET, SUITE 700
 BERKELEY, CA 94710-2597
 510-450-1999 P

HONEYBEE POOL RENOVATION
 CITY OF ROHNERT PARK
 1170 GOLF COURSE DRIVE
 ROHNERT PARK, CA 94928



CONSULTANT

VANESSA GARRETT P.E. CE#4141 DATE
 CITY ENGINEER

REVISION SCHEDULE			
NO	DATE	BY	DESCRIPTION
△	11/03/2022		AGENCY PLAN REVIEW
△	12/02/2022		AGENCY PLAN REVIEW
△	03/01/2023		ADDENDUM 1
△	04/06/2023		ADDENDUM 3

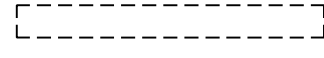
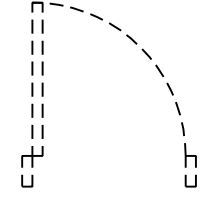
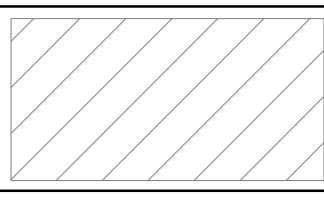
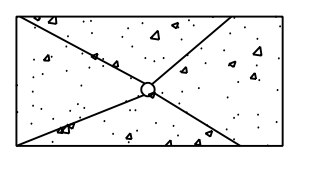
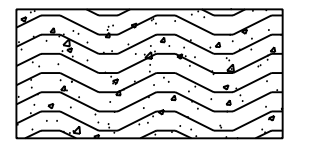
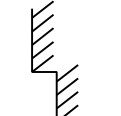

DRAWN: OE / VP CHECKED: OE
 DATE: 02/25/2022 SCALE: 1/4" = 1'-0"
 PROJECT NUMBER: 2010200

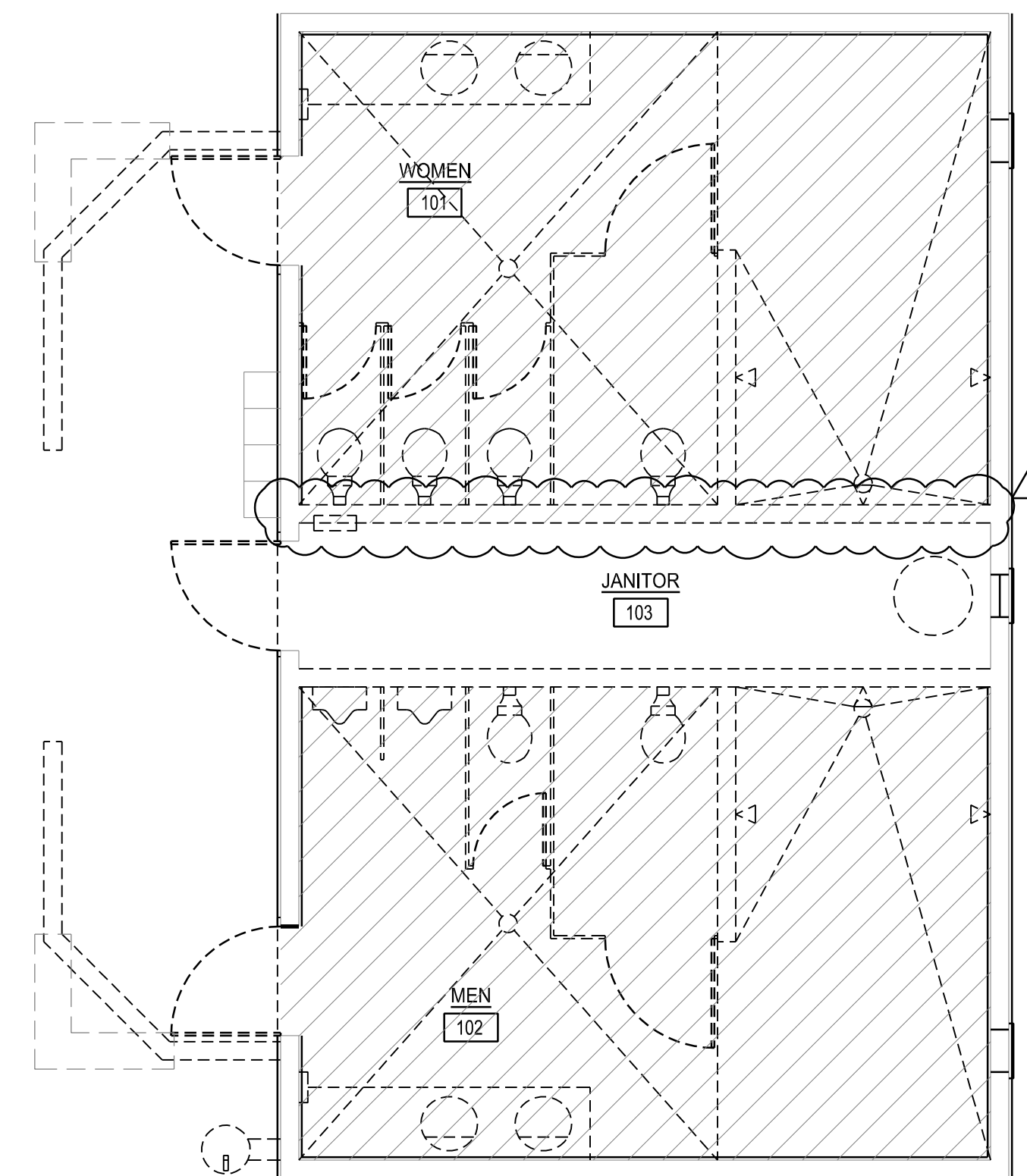
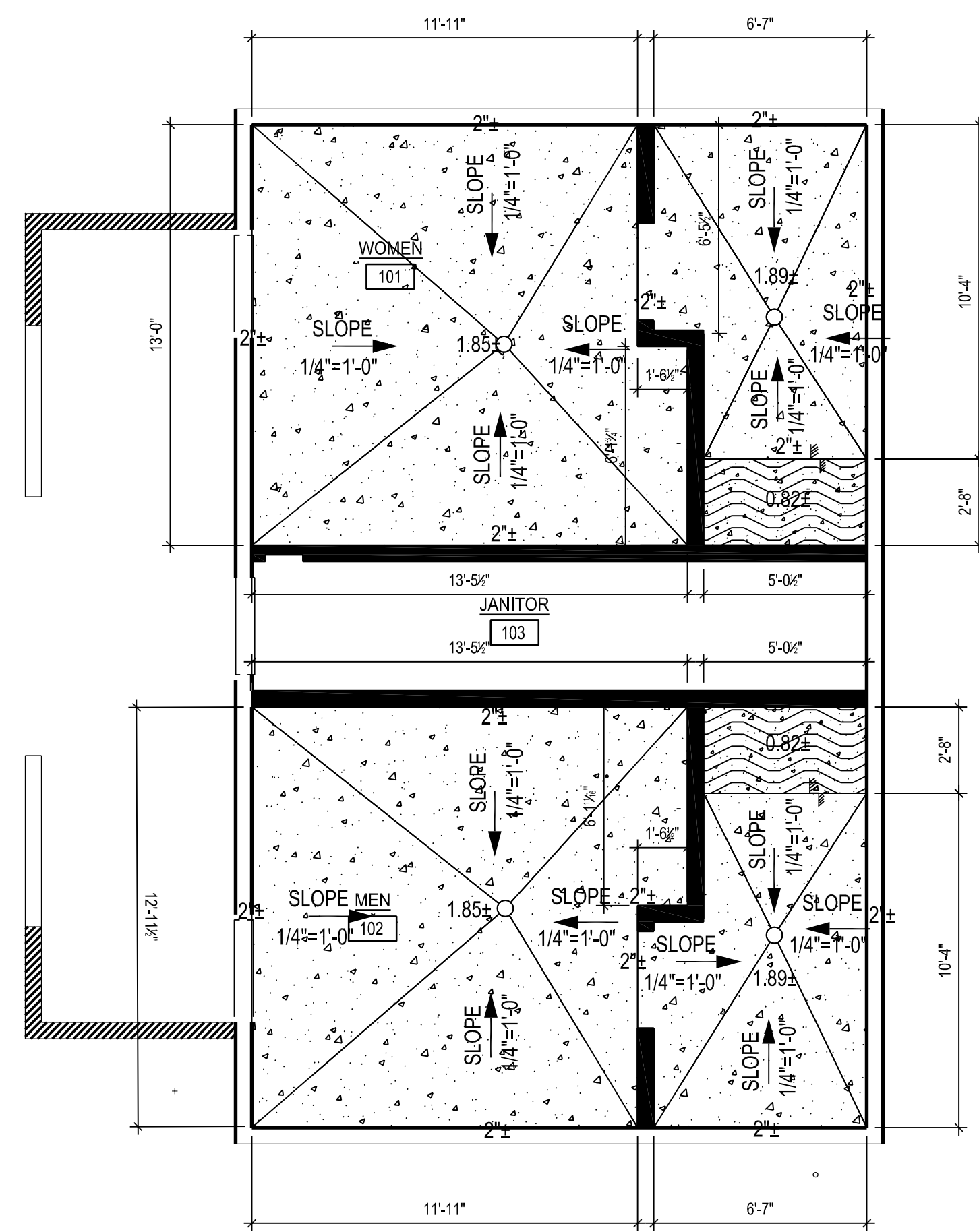
SLAB
 PLAN

DRAWING
 NUMBER: **A2.2**

AGENCY BACKCHECK

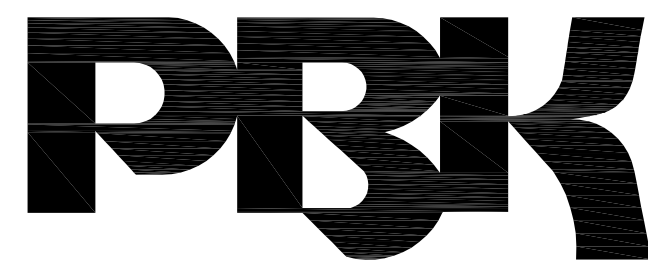
LEGEN

-  DEMO EXISTING WALL GYP.BD, FRP & WD TRIM, TYP
-  DEMO EXISTING DOOR & FRAME
-  SAW CUT & DEMO EXISTING CONG. SLAB INCLUDING FLOOR DRAIN & PLUMBING LINES
-  (N) CONCRETE SLAB
-  (N) DEPRESS SLAB
-  CHANGE IN FLOOR ELEVATION
-  (N) CONCRETE CURB, SSD



FLOOR PLAN 1/4" = 1' - 0" 2

EXISTING DEMOLITION PLAN 1/4" = 1' - 0" 1



BERKELEY

2600 TENTH STREET, SUITE 700
BERKELEY, CA 94710-2597
510-450-1999 P

HONEYBEE POOL RENOVATION

CITY OF ROHNERT PARK
1170 GOLF COURSE DRIVE
ROHNERT PARK, CA 94928



CONSULTANT

VANESSA GARRETT P.E. CE#4141 DATE
CITY ENGINEER

REVISION SCHEDULE			
NO	DATE	BY	DESCRIPTION
△	11/03/2022		AGENCY PLAN REVIEW
△	12/02/2022		AGENCY PLAN REVIEW
△	03/01/2023		ADDENDUM 1
△	04/06/2023		ADDENDUM 3

DRAWN: OE / VP CHECKED: OE

DATE: 02/25/2022 SCALE: 1/4" = 1'-0"

PROJECT NUMBER: 2010200

DEMO RCP
AND
NEW RCP PLAN

DRAWING NUMBER: A3.1

AGENCY BACKCHECK

LEGEND DEMO

- DEMO EXISTING LIGHT FIXTURES
- DEMO (E) SUSPENDED CEILING GYP BD
- DEMO (E) EXHAUST FAN
- DEMO (E) INTERIOR LIGHT FIXTURE
- DEMO (E) EXTERIOR LIGHT FIXTURE
- DEMO (E) EXTERIOR SOFFIT
- DEMO 2'X12" VENT SCREEN FIELD
VERIFY LOCATION TO AVOID CONFLICT WITH FRAMING.

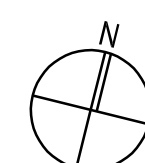
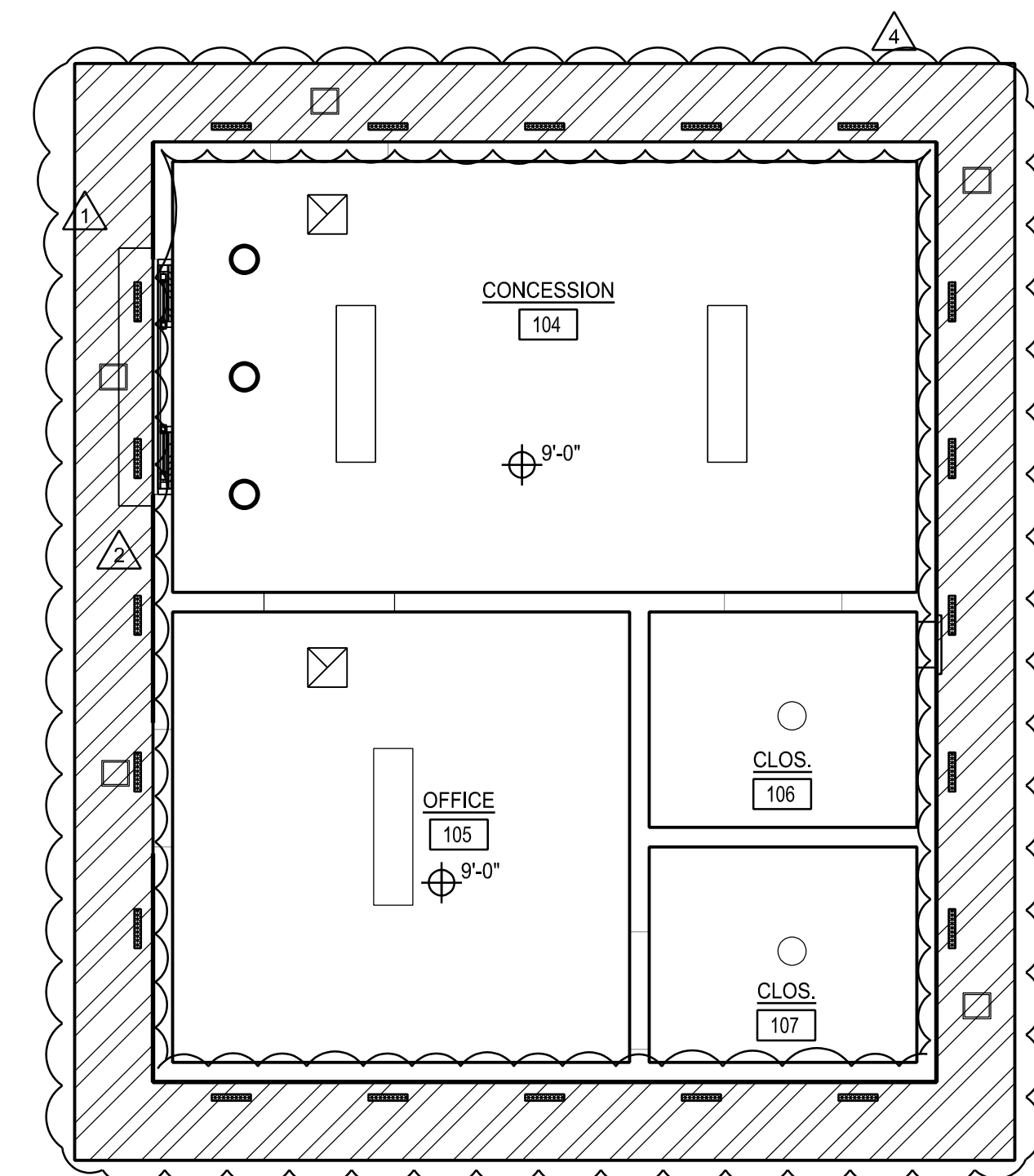
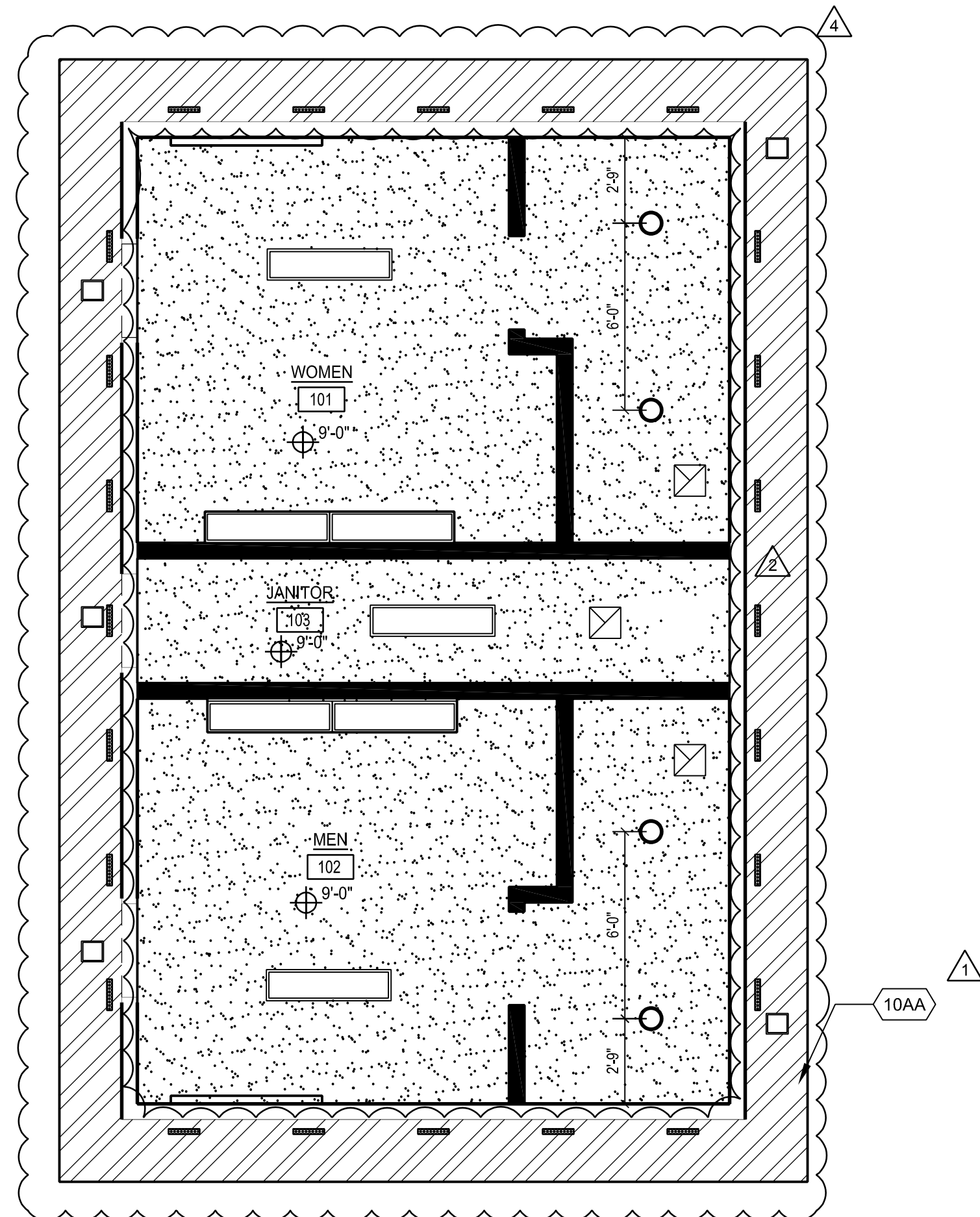
NOTE:
1. REMOVE ALL (E) 2" WIDE METAL SCREEN VENT ALONG EXTERIOR SOFFIT FOR BOTH BUILDINGS. PATCH AND REPAIR SOFFIT, AND FINISH TO MATCH ADJACENT FINISH.

LEGEND

- (E) CEILING TO REMAIN
(N) PAINT FINISH TYP.
- (N) SUSPENDED CEILING GYP BD.
SEE DETAIL 17/ 9.3
- (N) 1' x 4' INTERIOR LIGHT FIXTURE, SEE ELECTRICAL DRAWINGS
- (N) INTERIOR LIGHT FIXTURE, SEE ELECTRICAL DRAWINGS
- (N) EXTERIOR LIGHT FIXTURE, SEE ELECTRICAL DRAWINGS
- (N) CEILING DIFFUSER, SEE MECHANICAL DRAWINGS
- 2'X12" VENT SCREEN @ APPROX 4"-0" O.C.,
FIELD VERIFY LOCATION TO AVOID CONFLICT WITH FRAMING, REF DTL 18/7.1
- (N) PLYWOOD SHEATHING, PAINT TO MATCH EXISTING SIDING

REFERENCE NOTES

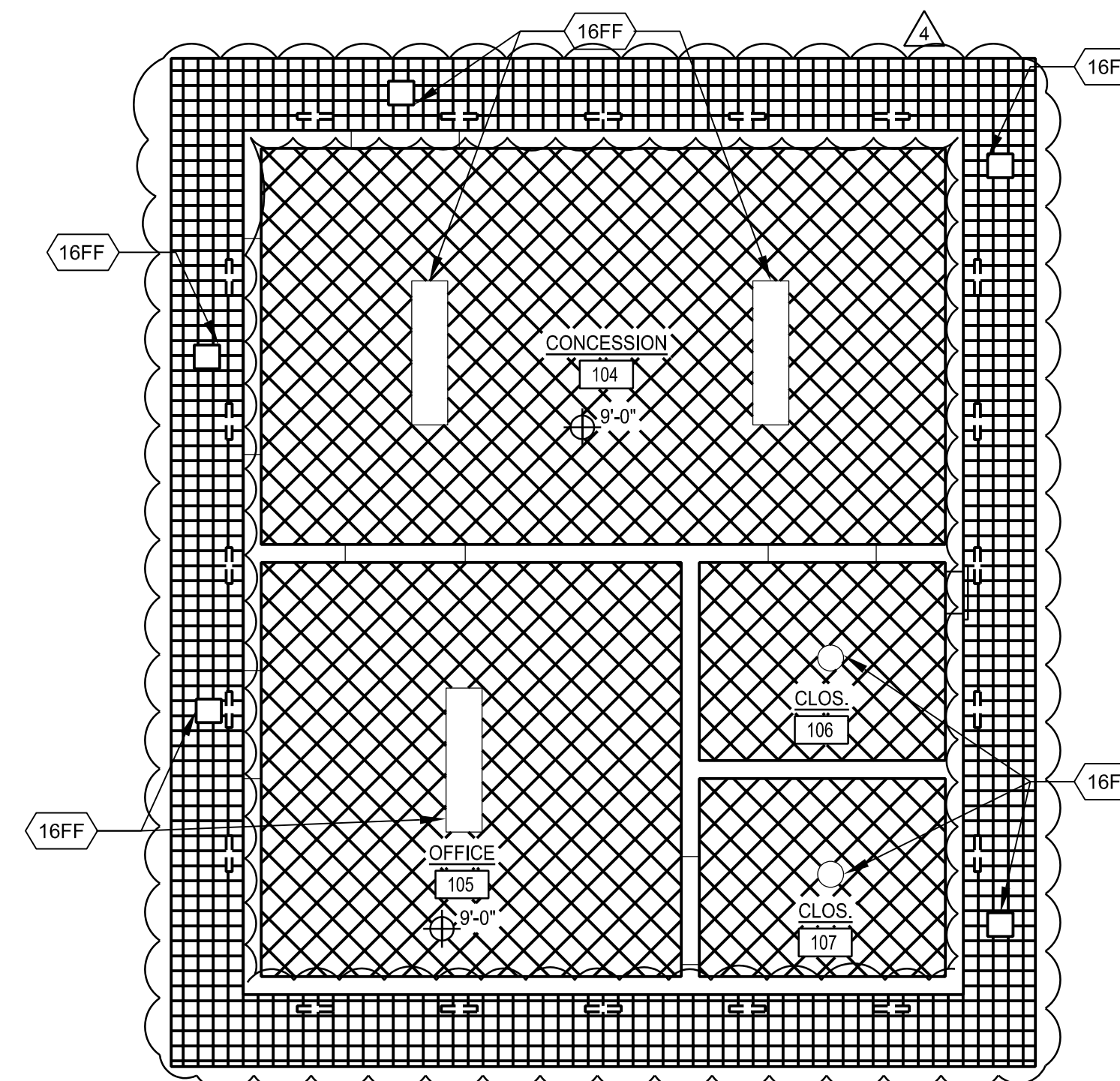
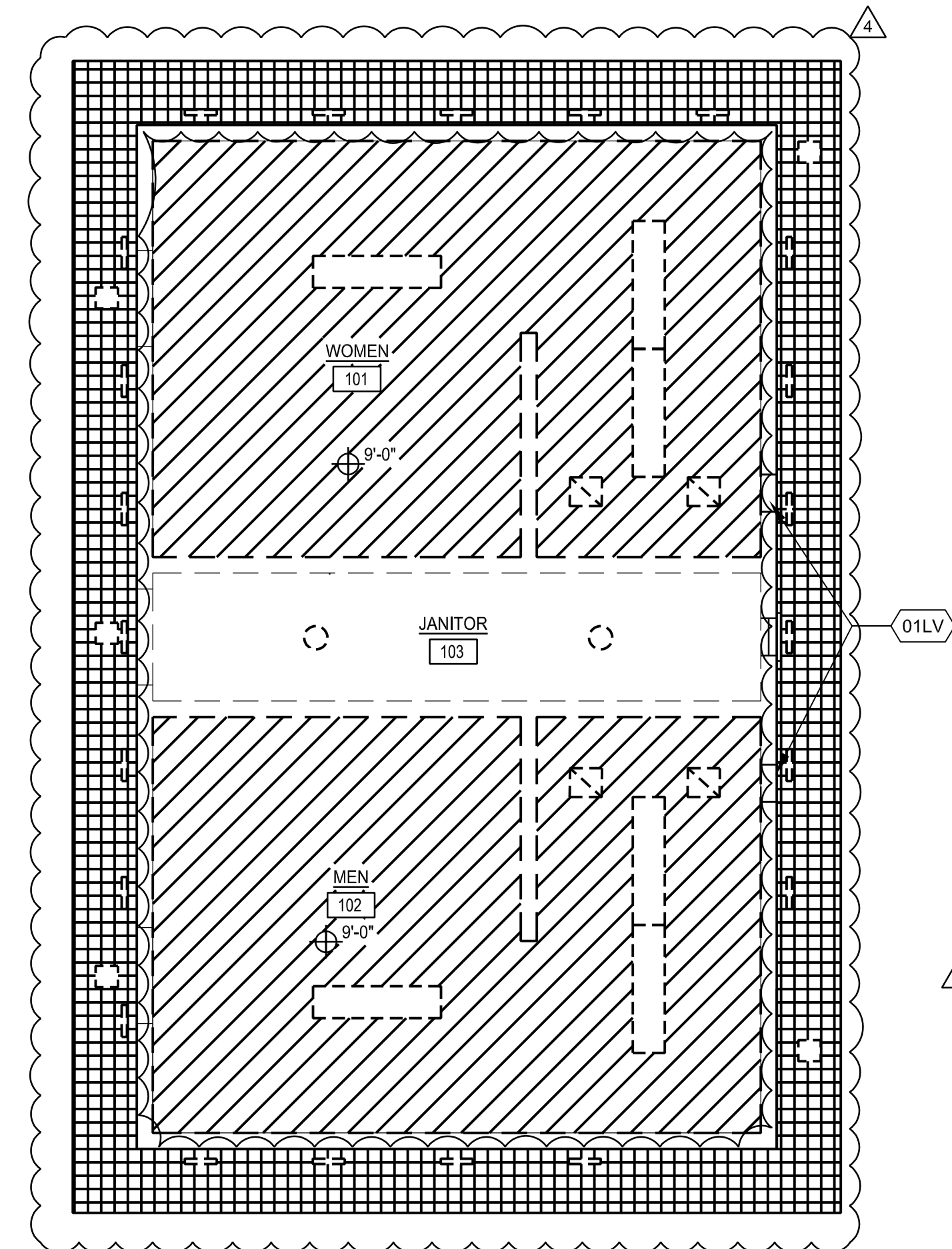
- DEMO (E) LOUVER
- LIGHT FIXTURE TO REMAIN
- SOFFIT @ ROOF TRUSS FASCIA, REF DTL 18/7.1



REFLECTED CEILING PLAN

1/4" = 1' - 0"

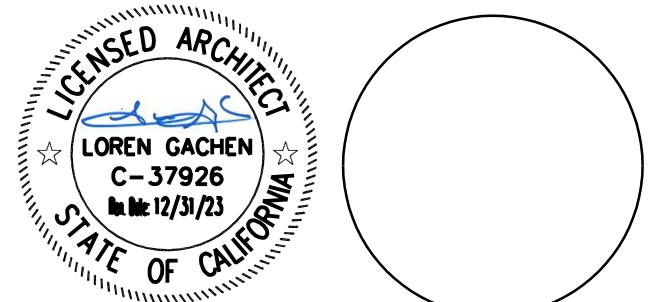
2



DEMOLITION REFLECTED CEILING PLAN

1/4" = 1' - 0"

1



CONSULTANT

VANESSA GARRETT P.E. CE#4141 DATE

REVISION SCHEDULE			
NO	DATE	BY	DESCRIPTION
△	11/03/2022		AGENCY PLAN REVIEW
△	12/02/2022		AGENCY PLAN REVIEW
△	03/01/2023		ADDENDUM 1
△	04/06/2023		ADDENDUM 3

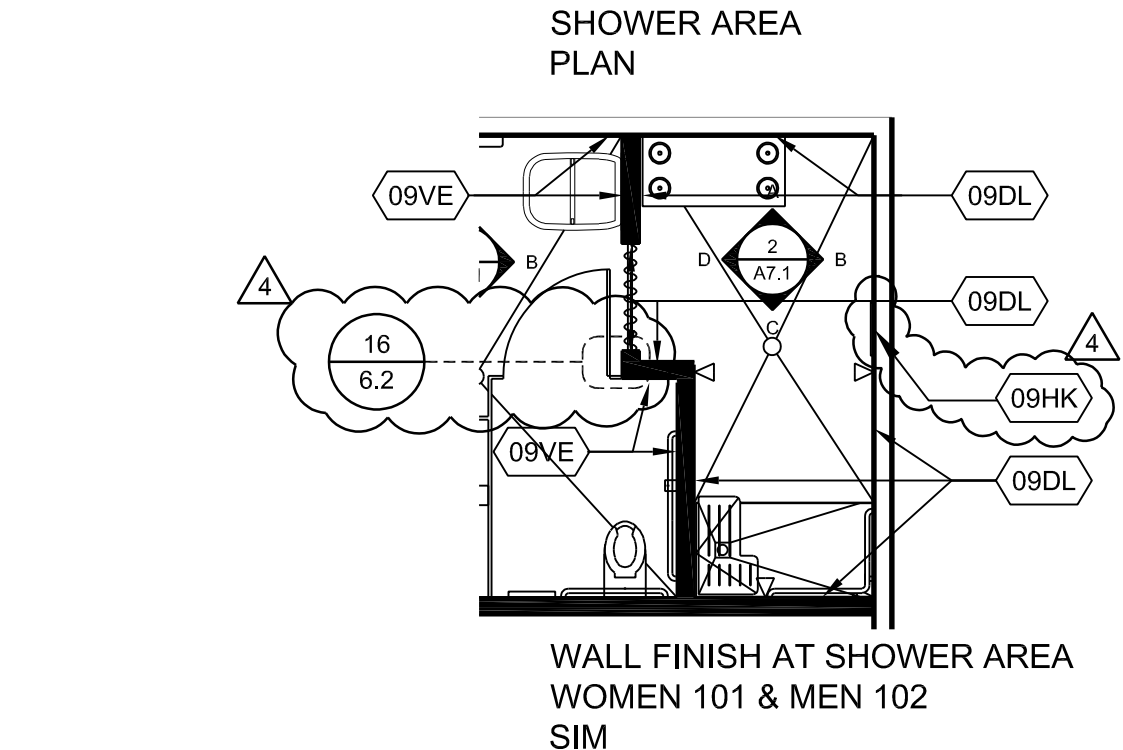
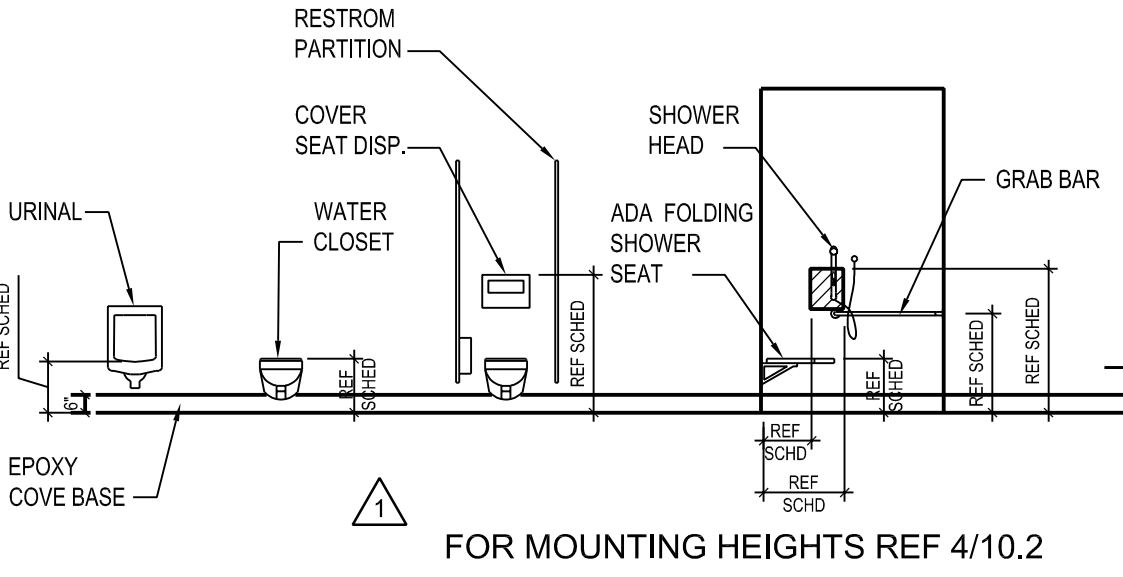
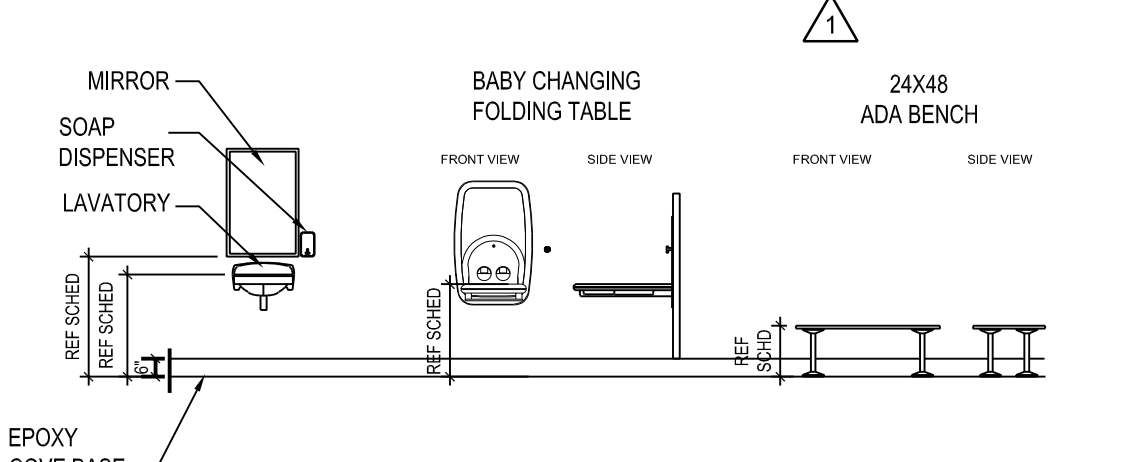
DRAWN: OE / VP CHECKED: OE
DATE: 02/25/2022 SCALE: 1/4" = 1'-0"
PROJECT NUMBER: 2010200

INTERIOR ELEVATIONS

DRAWING NUMBER: **A7.1**

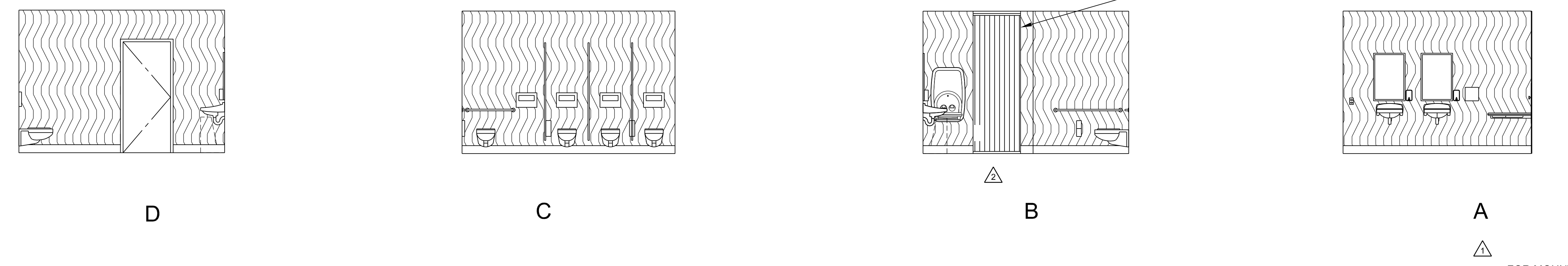
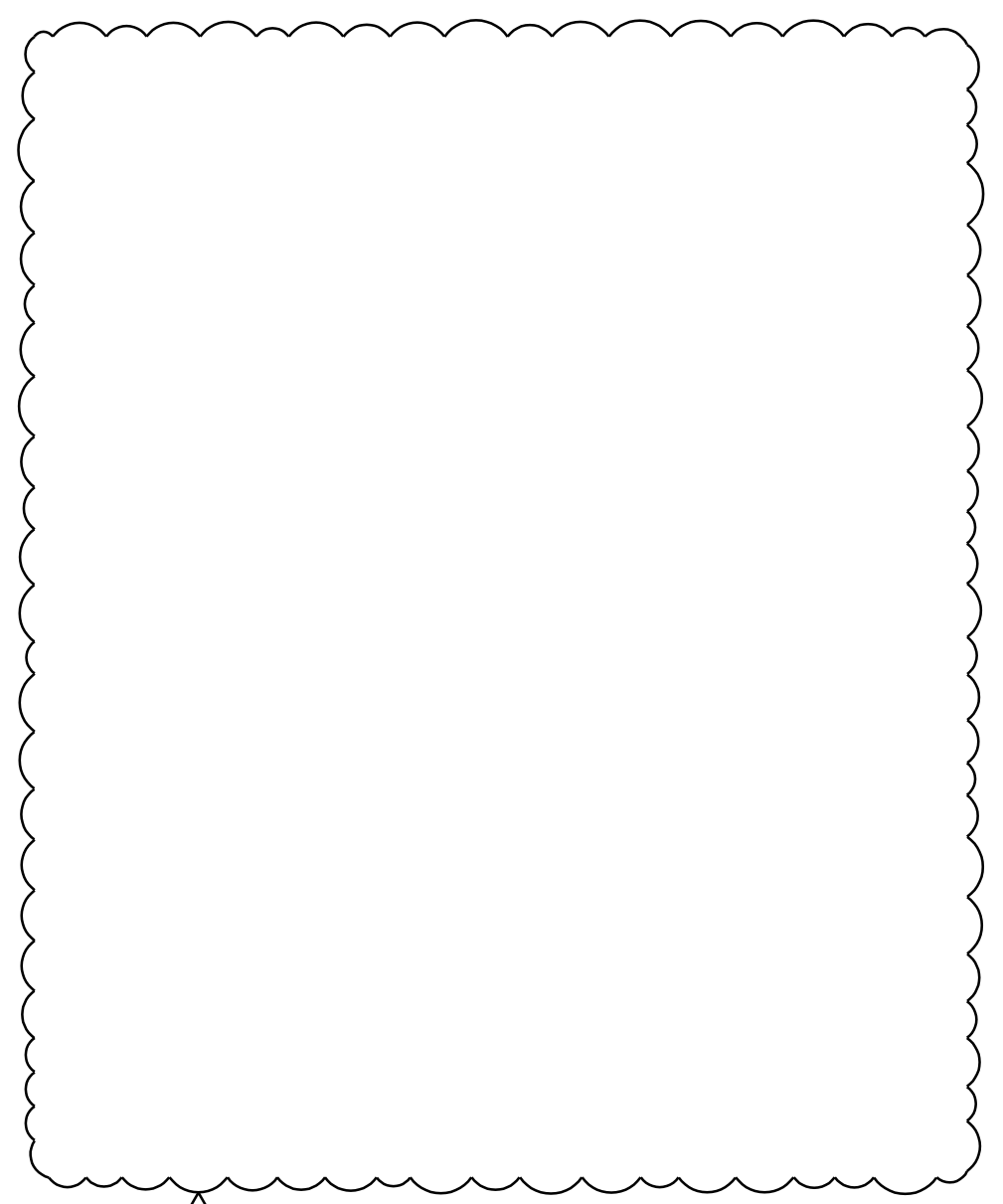
LEGEND

- FIBER REINFORCE PLASTIC, REF DTL 16/6.2, REF DTL 5/- FOR OUTSIDE CORNER SCHLUTER
- 12" x 24" PORCELAIN TILE, REF DTL 5/- FOR OUTSIDE CORNER SCHLUTER



REFERENCE NOTES

- 09DL 12" x 24" PORCELAIN TILE TO TOP OF CEILING
- 09VE FIBER REINFORCED PLASTIC TO TOP OF CEILING
- 10BA CURTAIN ROD W/ SHOWER CURTAIN, REF TO SPEC
- 09HK CLOTHES HOOK STRIP



WOMEN 101 INTERIOR ELEVATIONS 1/4" = 1'-0" 1



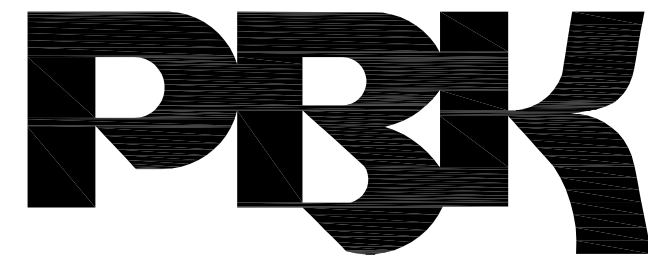
WOMEN'S 101 SHOWER AREA INTERIO ELEVATIONS 1/4" = 1'-0" 2



MEN 102 INTERIO ELEVATIONS 1/4" = 1'-0" 3



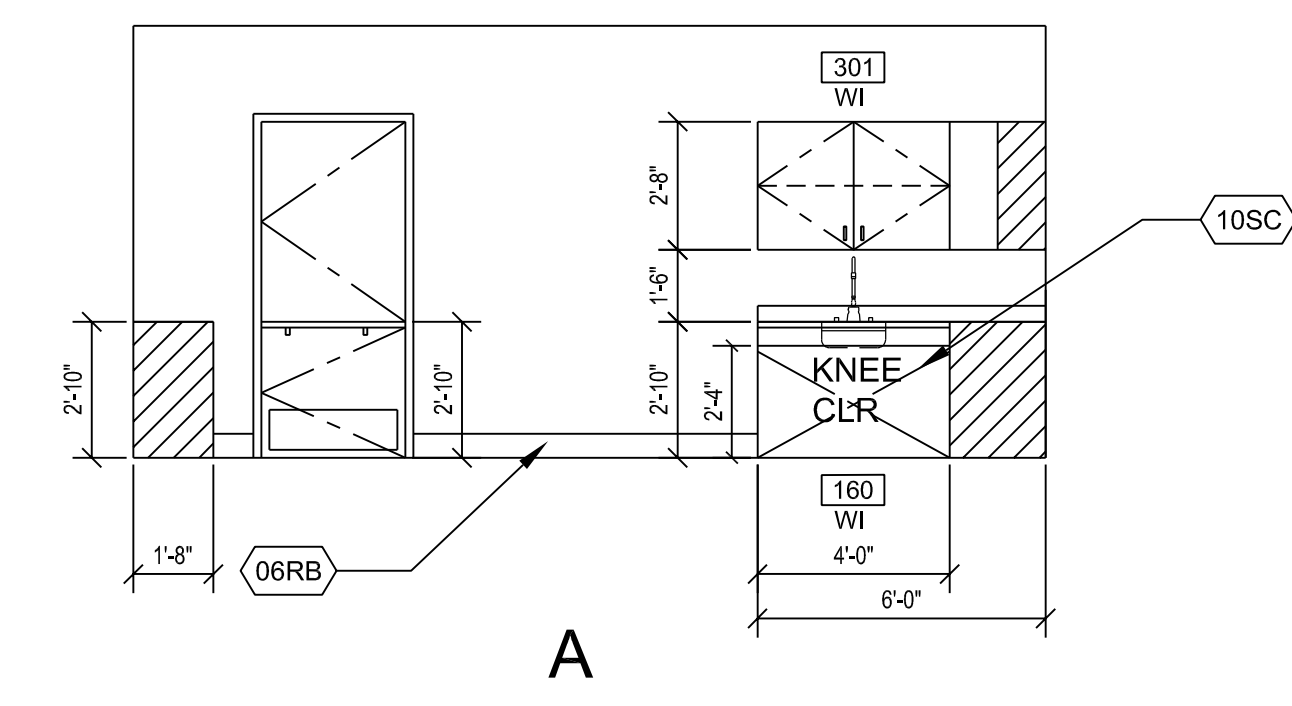
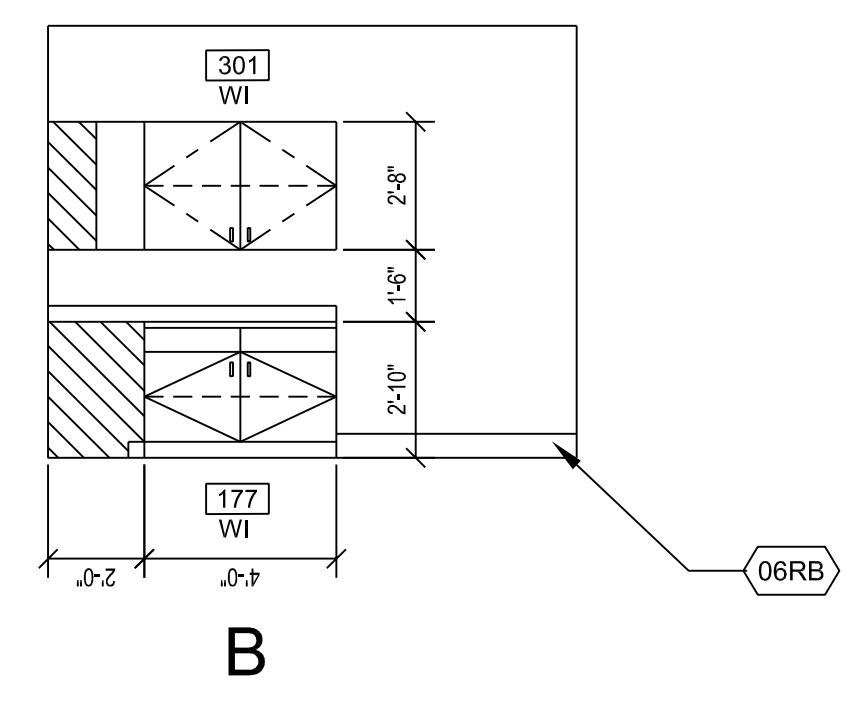
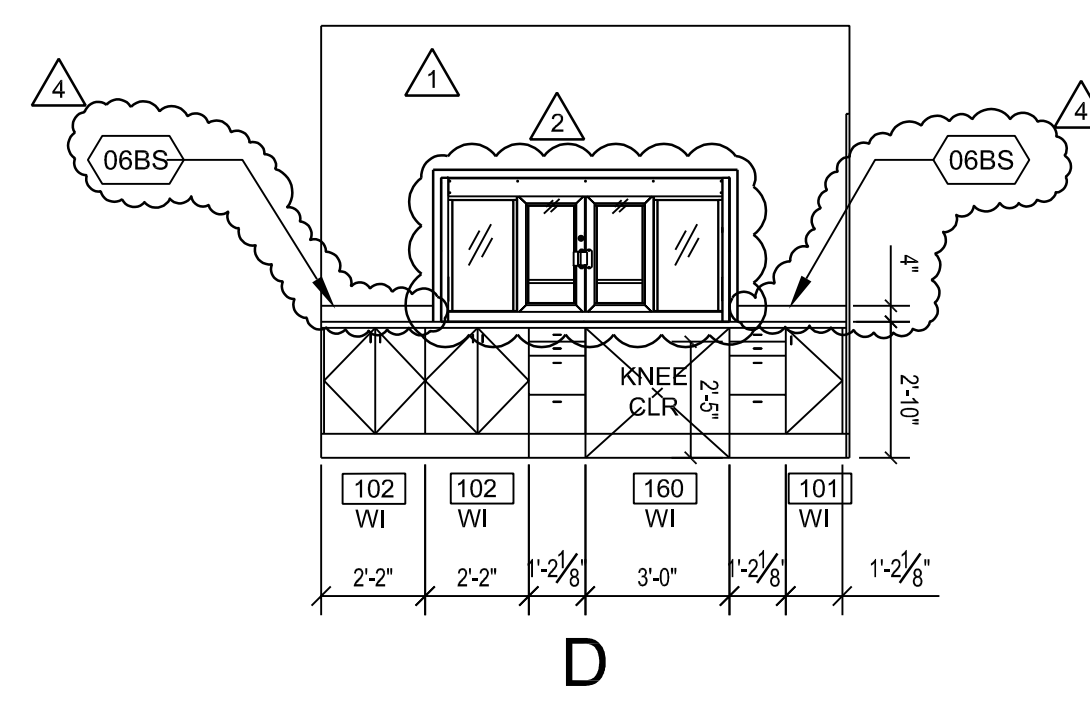
MEN'S 102 SHOWER AREA INTERIO ELEVATIONS 1/4" = 1'-0" 4



BERKELEY
 2600 TENTH STREET, SUITE 700
 BERKELEY, CA 94710-2597
 510-450-1999 P

REFERENCE NOTES

- 10SC ACCESSIBLE SINK CABINET. SEE DETAIL 5/6.1
- 06RB 6" RUBBER BASE
- 06BS 4" BACK SPLASH



CONCESSION 104 INTERIOR ELEVATIONS 1/4" = 1' - 0" 1

HONEYBEE POOL RENOVATION
 CITY OF ROHNERT PARK
 1170 GOLF COURSE DRIVE
 ROHNERT PARK, CA 94928



CONSULTANT

VANESSA GARRETT P.E. CE#1411 DATE
 CITY ENGINEER

REVISION SCHEDULE			
NO.	DATE	BY	DESCRIPTION
△	04/06/2023		ADDENDUM 3

DRAWN: OE / VP CHECKED: OE
 DATE: 02/25/2022 SCALE: 1/4" = 1' - 0"
 PROJECT NUMBER: 2010200

INTERIOR ELEVATIONS

DRAWING NUMBER: **A7.2**

ROOM FINISH SCHEDULE

DOOR AND FRAME SCHEDULE



BERKELEY
2600 TENTH STREET, SUITE 700
BERKELEY, CA 94710-2597
510-450-1999 P

#	ROOM NAME	FLOOR SUBSTRATE	BASE FIN	WALL MATERIAL				CEILING		WNSCOT		FINISHES			REMARKS
				N	E	S	W	MTL	HT	MTL	HT	FLOOR	WALLS	CEILING	
101	WOMEN	CONC	ECB	GYP	GYP	GYP	GYP	GYP	9'-0"	-	-	EPY	FRP	PNT	1
	WOMEN SHOWER AREA	CONC	ECB	GYP	GYP	GYP	GYP	GYP	9'-0"	-	-	EPY	PT	PNT	1 & 2
102	MEN	CONC	ECB	GYP	GYP	GYP	GYP	GYP	9'-0"	-	-	EPY	FRP	PNT	1
	MEN SHOWER AREA	CONC	ECB	GYP	GYP	GYP	GYP	GYP	9'-0"	-	-	EPY	PT	PNT	1 & 2
103	JANITOR	(ESC)	ECB	GYP	GYP	GYP	GYP	GYP	9'-0"	-	-	EPY	PNT	PNT	1
104	CONCESSION	(E)	RB	(E)	(E)	(E)	(E)	GYP	9'-0"	-	-	SC	PNT	PNT	1
105	OFFICE	(E)	RB	(E)	(E)	(E)	(E)	GYP	9'-0"	-	-	SC	PNT	PNT	1
106	CLOSET	(E)	(E)	(E)	(E)	(E)	(E)	GYP	9'-0"	-	-	SC	PNT	PNT	1
107	CLOSET	(E)	(E)	(E)	(E)	(E)	(E)	GYP	9'-0"	-	-	SC	PNT	PNT	1

DOOR MARK	DOOR										FRAME										REMARKS
	NOMINAL SIZE					MTL	TYPE	GLASS	DETAIL	LOUVER		MTL	TYPE	GLASS	DETAILS				HDWE GROUP	FIRE RATING	
	W PER LEAF	HT	THK	W	HT					JAMB	HEAD				THRSHLD	OTHER					
A-01	3'-0"	7'-0"	0'-1 3/4"	HM	B	-	-	24"	18"	HM	1	-	3/8.1 SIM	3/8.1	4/8.1	-	01	NR	24" x 18" OA DOOR LOUVER		
A-02	3'-0"	7'-0"	0'-1 3/4"	HM	B	-	-	14"	18"	HM	1	-	3/8.1 SIM	3/8.1	4/8.1	-	02	NR	14" x 18" OA DOOR LOUVER		
A-03	3'-0"	7'-0"	0'-1 3/4"	HM	B	-	-	24"	18"	HM	1	-	3/8.1 SIM	3/8.1	4/8.1	-	01	NR	24" x 18" OA DOOR LOUVER		
B-01	3'-0"	7'-0"	0'-1 3/4"	HM	C	-	-	14"	18"	HM	2	-	3/8.1 SIM	3/8.1	4/8.1	-	03	NR	-		
B-02	3'-0"	7'-0"	0'-1 3/4"	HM	B	-	-	14"	18"	HM	1	-	3/8.1 SIM	3/8.1	4/8.1	-	04	NR	14" x 18" OA DOOR LOUVER		
B-03	3'-0"	7'-0"	0'-1 3/4"	WD	D	LAM	-	-	-	HM	1	-	3/8.1 SIM	3/8.1	4/8.1	-	05	NR	-		
B-04	3'-0"	7'-0"	0'-1 3/4"	WD	D	LAM	-	-	-	HM	1	-	7/8.1 SIM	7/8.1	8/8.1	-	05	NR	-		
B-05	3'-0"	7'-0"	0'-1 3/4"	WD	D	LAM	-	-	-	HM	1	-	7/8.1 SIM	7/8.1	8/8.1	-	05	NR	-		

ROOM FINISH MATERIALS KEY

REMARKS REFERENCE SCHEDULE

- CONC - CONCRETE
- PT - PORCELAIN TILE:
 - EXT WALL CONDITION - REF DTL 17/6.1
 - INT WALL CONDITION - WALL TYPE PER PLAN
- ECB - EPOXY COVE BASE
- EPY - EPOXY RESIN
 - @ SHOWER AREAS - PROVIDE HYDRIFLEX EQ - DECORATIVE QUARTZ BROADCAST SYSTEM BY DUR-A-FLEX OR APPROVED EQUAL.
- SPECIFIED EPOXY FLOOR ARE NON-SLIP. SEE SPECIFICATION SECTION 09 67 26
- GYP - GYPSUM BOARD
- PNT - PAINT
- FRP - FIBER REINFORCED PLASTIC:
 - EXT WALL CONDITION - REF DTL 18/6.1
 - INT WALL CONDITION - WALL TYPE PER PLAN
- RB - RUBBER BASE
- WD - WOOD
- (E) - EXISTING
- (ESC) - EXISTING SEALED CONCRETE
- SC - SEALED CONCRETE

- REFER TO PAINTING SPECIFICATIONS FOR COLOR SCHEDULE
- 12" x 24" PORCELAIN TILE

ROOM FINISH MATERIALS KEY

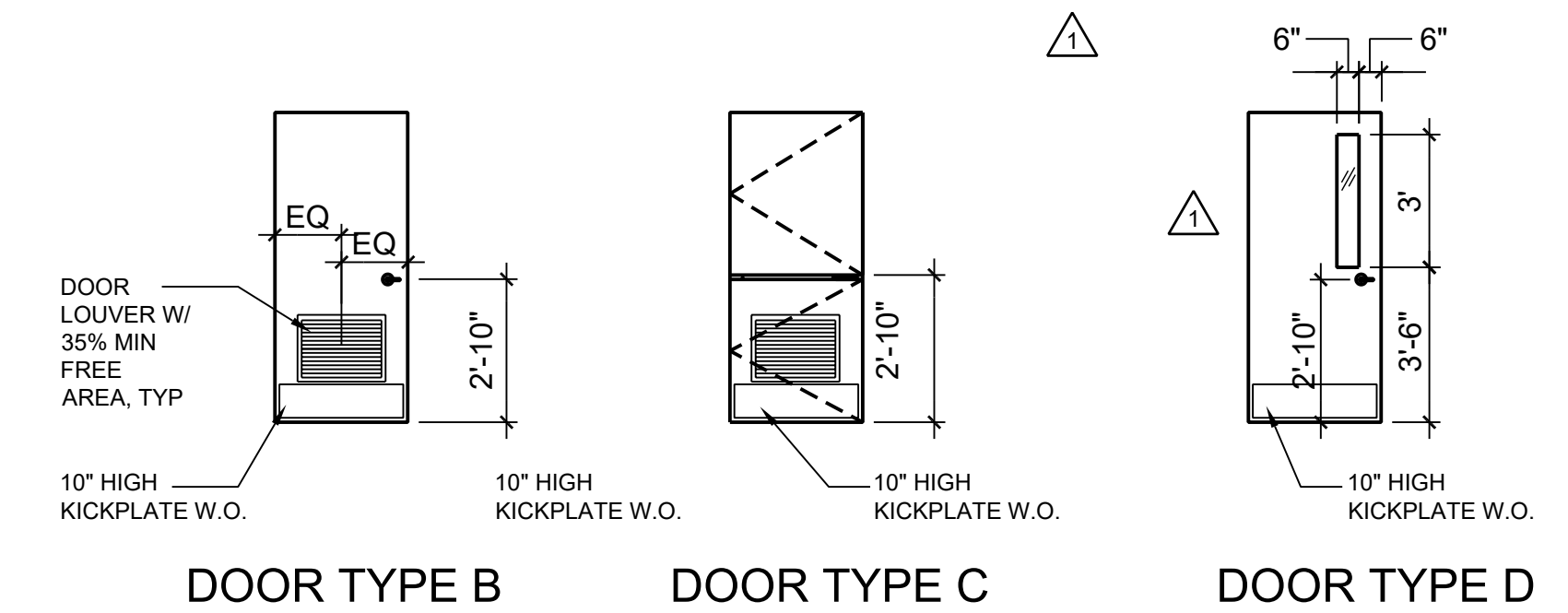
ROOM FINISH SCHEDULE COLUMN REFERENCE GUIDE

- ROOM LOCATION: LOCATION OF ROOM IN BUILDING COMPLEX, I.E., FIRST FLOOR, THIRD FLOOR, AREA A, AREA B, BUILDING A, BUILDING B, ETC.
- ROOM NUMBER: SPECIFIC NUMBER ASSIGNED TO INDIVIDUAL ROOM.
- ROOM NAME: DESIGNATES SPECIFIC USAGE OF SPACE.
- FLOOR MATERIAL: DESIGNATES BASE FLOOR MATERIAL, I.E., LINO-LINOLEUM, CPT-CARPET TILE, SV-SHEET VINYL (HOMOGENEOUS) CONC.-CONCRETE, ETC.
- BASE FINISH: DESIGNATES BASE FINISH, I.E., RESIL - RESILIENT, CER - CERAMIC TILE, CTS - CERAMIC TILE SANITARY COVE, ETC.
- WALL MATERIALS: DESIGNATES MATERIAL FROM WHICH WALLS ARE CONSTRUCTED, I.E., CONC - CONCRETE, CMU - CONCRETE MASONRY UNIT, GYP - GYPSUM BOARD, ETC. NUMERICAL DESIGNATION OF WALL REFERS TO WALL NUMBER ORIENTATION DEFINED BY AREA IDENTITY SHOWN ON PLAN.
- CEILING MATERIAL AND HEIGHT: DESIGNATES MATERIAL FROM WHICH CEILING IS CONSTRUCTED, I.E., G.B. - GYPSUM BOARD, ACT - ACOUSTICAL CEILING TILE, S.G. COAT-SEMI-GLOSS COATING, F.A. PNT-FACTORY APPLIED PAINT, PBD V. - PARTICLE BOARD VENEER, M.F.-MINERAL FIBER, AND THE HEIGHT OF THE FINISHED CEILING FROM THE FINISHED FLOOR LINE EXPRESSED IN FEET AND INCHES.
- WAINSCOT MATERIAL AND HEIGHT: DESIGNATES ANY WAINSCOTING MATERIAL, I.E., CER - CERAMIC TILE, QT - QUARRY TILE, VWC - VINYL WALLCOVERING, ETC., AND HEIGHT OF WAINSCOT MATERIAL FROM FINISHED FLOOR LINE EXPRESSED IN FEET AND INCHES.
- FINISHES: DESIGNATES FINAL FINISH OF FLOOR, WALL & CEILING, I.E., CPT - CARPET TILE, PNT - PAINT, VCT - VINYL COMPOSITION TILE, FRP - FIBER REINFORCED PLASTIC, SLD - SEALED, VWC - VINYL WALL COVERING, FBC-FIBER CEMENT BOARD, LINO-LINOLEUM
- REMARKS: DESIGNATES OR REFERENCES SPECIAL, UNUSUAL OR ABSTRACT CONDITIONS WHICH EXIST AND ARE NOT COVERED IN SCHEDULE ITEMS 1 THRU 9. REFER TO REMARKS REFERENCE SCHEDULE FOR ALPHANUMERICAL DESIGNATION.

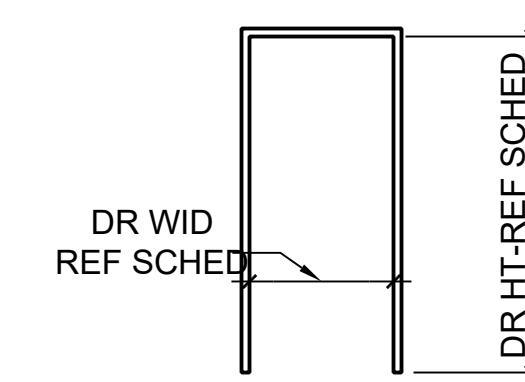
DOOR & FRAME MATERIALS KEY

- HM - HOLLOW METAL
- LAM - LAMINATED GLASS
- SS - STAINLESS STEEL
- TG - TEMPERED GLASS
- WD - WOOD
- WG - WIRE GLASS
- (E) - EXISTING

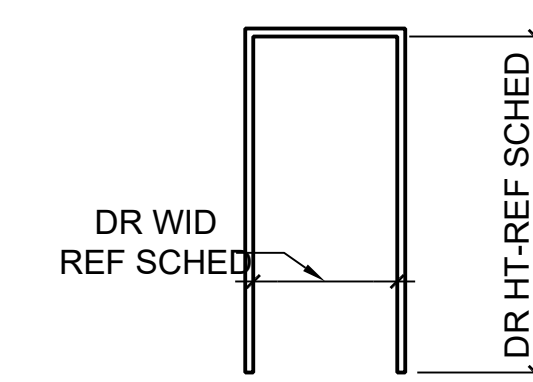
DOOR AND FRAME TYPES



- NOTE:
- OPERABLE PARTS OF DOORS AND GATES SHALL BE 34" MIN. TO 44" MAX. A.F.F.
 - OPERABLE PARTS ON DOORS AND GATES SHALL BE OPERABLE WITH ONE HAND AND SHALL NOT REQUIRE TIGHT GRASPING, PINCHING OR TWISTING OF THE WRIST. THE FORCE REQUIRED TO ACTIVATE OPERABLE PARTS SHALL BE 5 POUNDS MAXIMUM.



DOOR TYPE 1



FRAME TYPE 2 (DUTCH DOOR)

SEE SPECIFICATIONS FOR DOOR HARDWARE

HONEYBEE POOL RENOVATION

CITY OF ROHNERT PARK
1170 GOLF COURSE DRIVE
ROHNERT PARK, CA 94928



CONSULTANT

VANESSA GARRETT P.E. CE#4141 DATE
CITY ENGINEER

REVISION SCHEDULE			
NO	DATE	BY	DESCRIPTION
△	11/03/2022		AGENCY PLAN REVIEW
△	12/02/2022		AGENCY PLAN REVIEW
△	03/01/2023		ADDENDUM 1
△	04/06/2023		ADDENDUM 3

DRAWN: CHECKED:
DATE: 02/25/2022 SCALE:
PROJECT NUMBER: 2010200

ROOM FINISH SCH.
AND
DOOR & FRAME SCH.

DRAWING NUMBER: **A8.1**

HONEYBEE POOL RENOVATION
CITY OF ROHNERT PARK
1170 GOLF COURSE DRIVE
ROHNERT PARK, CA 94928



DEMOLITION LEGEND

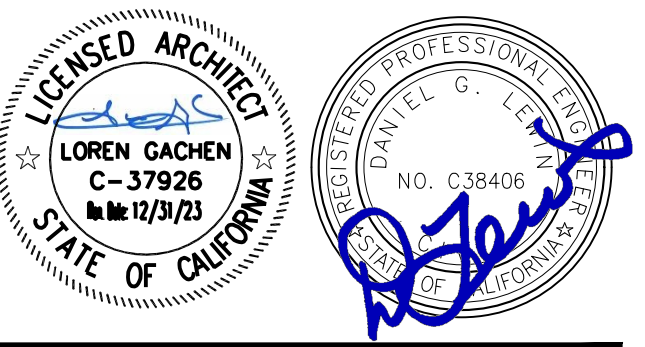
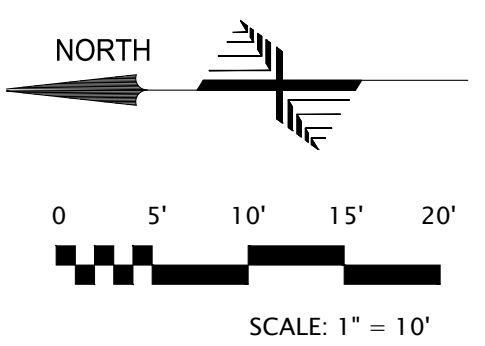
- TREE TO BE REMOVED. SEE LANDSCAPE PLANS.
- DEMOLITION AREA- ALL SITE FEATURES WITHIN THIS AREA ARE TO BE REMOVED, UNLESS NOTED TO REMAIN.
- EXISTING BUILDING STRUCTURE TO BE DEMOLISHED
- TREE PROTECTION TREES TO REMAIN

DEMOLITION KEYNOTES

- 1 BACK OF COPING LIMIT OF WORK
- 2 PIPES IN POOL TO BE PLUGGED AND CAPPED
- 3 SAWCUT AT NEAREST JOINT
- 4 EXISTING UTILITY TO REMAIN
- 5 EXISTING BIKE RACK TO BE RELOCATED
- 6 CONTRACTOR SHALL VERIFY LOCATION AND DEPTH OF STORM DRAIN INLET AND REPORT TO ENGINEER
- 7 EXISTING STRIPING TO BE BLACKEDOUT

DEMOLITION NOTES

1. SEE ELECTRICAL PLANS FOR REMOVAL OR RELOCATION OF ALL ELECTRICOMM CONDUITS, BOXES, LINE ETC.
2. SEE UTILITY PLAN FOR ALL NEW TIE-IN LOCATIONS AND ANY INSTANCES OF STORM, SANITARY SEWER, OR WATER BEING RELOCATED. ANY EXISTING UTILITIES NOT BEING USED ARE TO BE REMOVED.
3. ALL EXISTING SERVICES AND UTILITIES THAT ARE TO REMAIN OPERATIONAL SHALL BE RELOCATED AS NECESSARY.
4. ALL TREES THAT ARE TO REMAIN SHALL BE PROTECTED DURING CONSTRUCTION.



CONSULTANT
HOBACH-LEWIN, INC.
STRUCTURAL & CIVIL ENGINEERS
260 Sheridan Avenue, Suite 150
Palo Alto, CA 94306
(650) 617-9930 Fax (650) 617-9932

VANESSA GARRETT P.E. CE4141 DATE
CITY ENGINEER

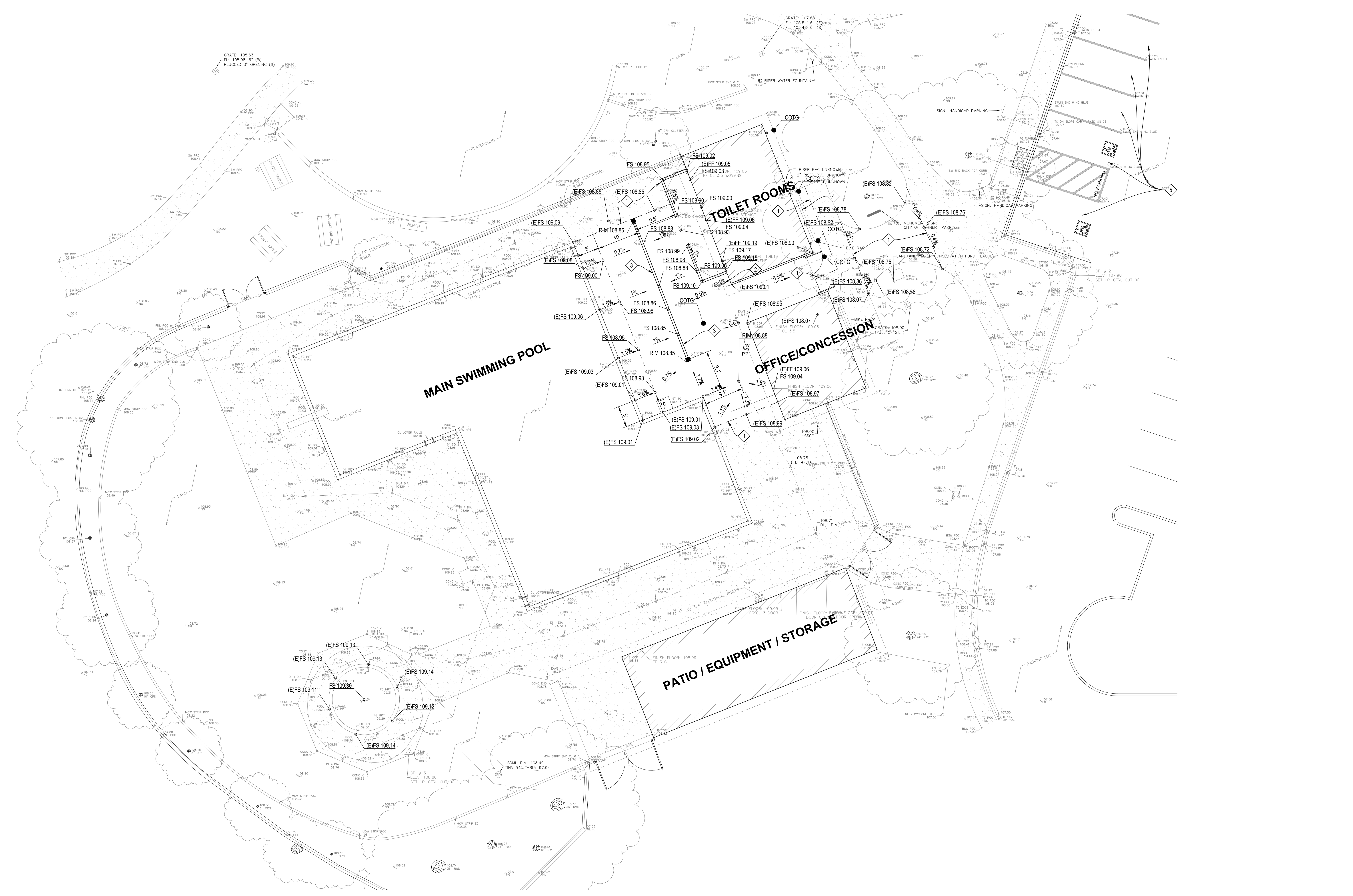
REVISION SCHEDULE			
NO.	DATE	BY	DESCRIPTION
1	5/25/2022		AGENCY PLAN REVIEW
2	12/02/2022		AGENCY PLAN REVIEW
3	04/06/2023		ADDENDUM 3

DRAWN: BKB CHECKED: BJH
DATE: 02/25/2022 SCALE:
PROJECT NUMBER: 2010200

DEMOLITION PLAN

DRAWING NUMBER: **C2.0**

HONEYBEE POOL RENOVATION
CITY OF ROHNERT PARK
1170 GOLF COURSE DRIVE
ROHNERT PARK, CA 94928



GRADING LEGEND

- XX.XX GRADE ELEVATION
- X% SLOPE AND DIRECTION

GRADING KEYNOTES

- 1 SAWCUT AND CONFORM
- 2 DRINKING FOUNTAIN PER ARCHITECTURAL PANS
- 3 NEW SLOT DRAIN. SEE UTILITY PLANS
- 4 REINSTALL EXISTING BIKE RACK. SEE ARCHITECTURAL PANS
- 5 PARKING TO BE RESTRIPTED. SEE ARCHITECTURAL PLANS AND DETAIL 9106.0

BENCHMARK FROM SURVEY

CINQUINI & PASSARINO CONTROL POINT NO. 3, BEING A SET SCRIBED X IN CONCRETE AS SHOWN HEREON. ELEVATION = 108.88' (NAVD 88)

THE ORTHOMETRIC ELEVATIONS SHOWN HEREON ARE BASED ON THE NORTH AMERICAN VERTICAL DATUM OF 1988 (NAVD 1988) AND WERE DETERMINED LOCALLY BY A LINE BETWEEN CONTINUOUS GLOBAL POSITIONING SYSTEMS (CGPS) STATION P198 AND STATION P202, BEING NORTH 28°32'50" EAST AS DERIVED FROM GEODETIC VALUES PUBLISHED BY THE CALIFORNIA SPATIAL REFERENCE CENTER (CSRC).

BASIS OF BEARINGS

THE BASIS OF BEARINGS FOR THIS SURVEY IS THE CALIFORNIA COORDINATE SYSTEM, ZONE II, NAD 83, EPOCH 2017.50 AS DETERMINED LOCALLY BY A LINE BETWEEN CONTINUOUS GLOBAL POSITIONING SYSTEMS (CGPS) STATION P198 AND STATION P202, BEING NORTH 28°32'50" EAST AS DERIVED FROM GEODETIC VALUES PUBLISHED BY THE CALIFORNIA SPATIAL REFERENCE CENTER (CSRC).

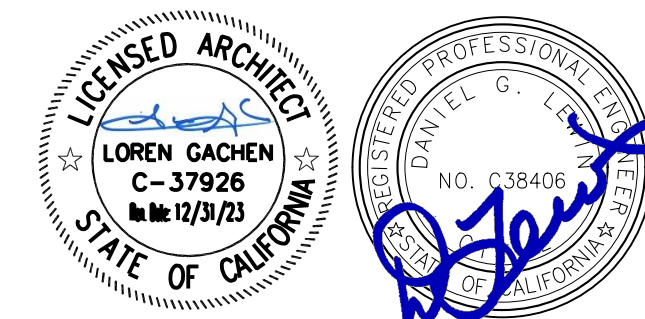
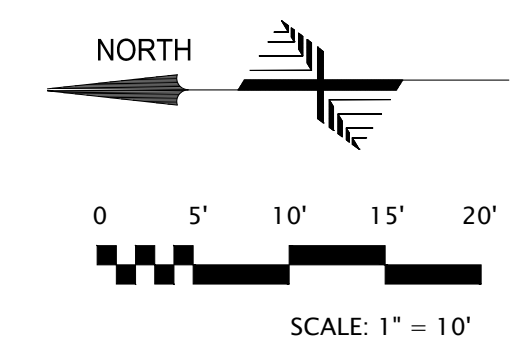
EARTHWORK QUANTITIES

TOTALS	CUT (CY)	FILL (CY)
	0 CY	19 CY

* QUANTITIES ABOVE ARE BANK VOLUMES

GRADING NOTE

- HOHBACH-LEWIN WILL NOT BE GIVING ANYMORE CONTROL INFORMATION THEN WHAT IS SHOWN ON THE PLANS. IT'S THE CONTRACTOR'S RESPONSIBILITY TO CHECK INTO THE BASIS OF BEARING AND BENCHMARK USED FOR THE TOPOGRAPHIC SURVEY. HOHBACH-LEWIN WILL NOT BE GIVING ANY CONTROL POINTS FOR STAKING



CONSULTANT
HOHBACH-LEWIN, INC.
STRUCTURAL & CIVIL ENGINEERS
200 Sheridan Avenue, Suite 150
Palo Alto, CA 94306
(650) 617-9930 Fax (650) 617-9932

VANESSA GARRETT P.E. CE4141 DATE
CITY ENGINEER

REVISION SCHEDULE

NO.	DATE	BY	DESCRIPTION
1	5/25/2022		AGENCY PLAN REVIEW
2	12/02/2022		AGENCY PLAN REVIEW
3	04/06/2023		ADDENDUM 3

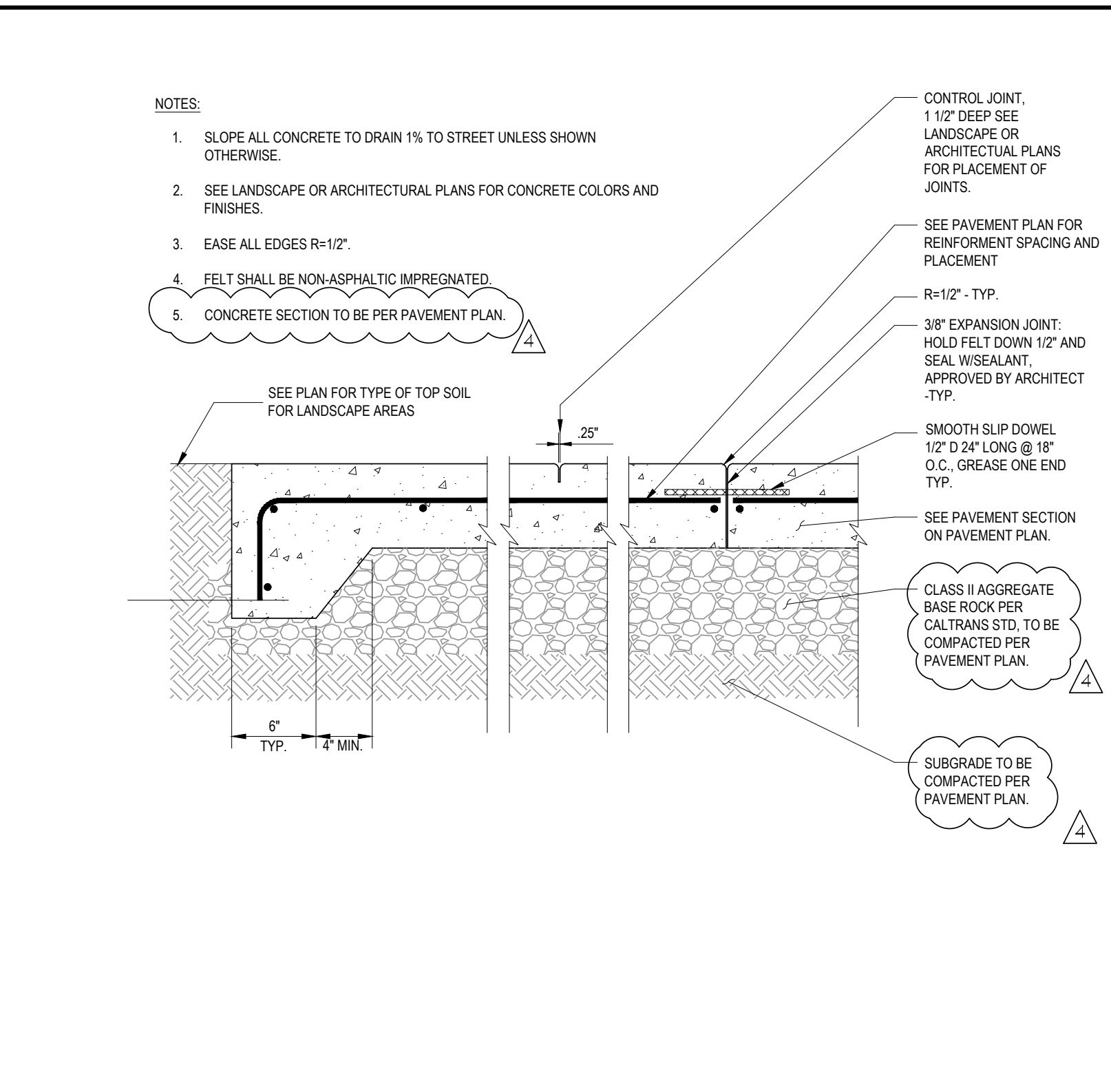
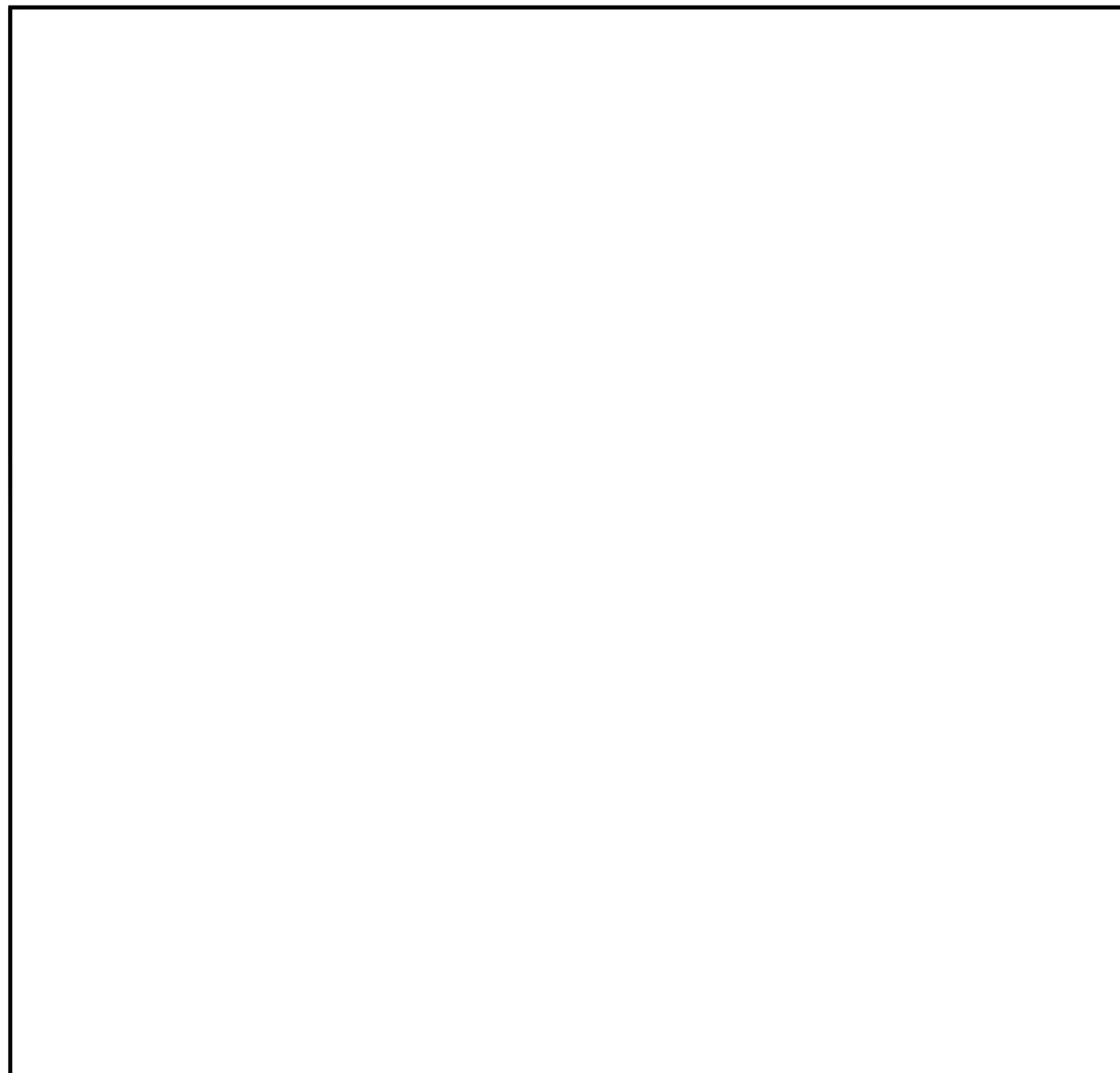
DRAWN: BKB CHECKED: BJH
DATE: 02/25/2022 SCALE:
PROJECT NUMBER: 2010200

GRADING PLAN

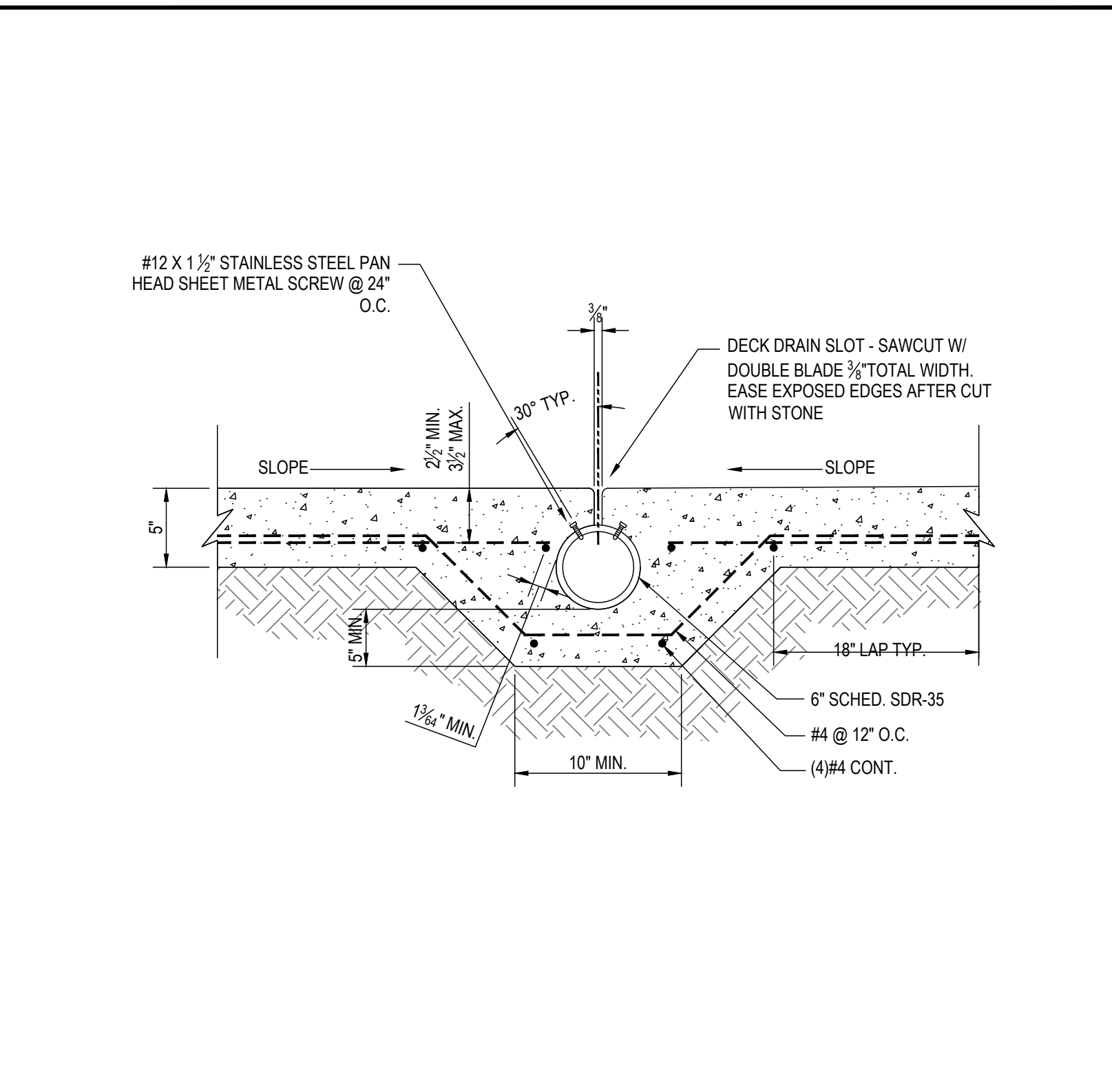
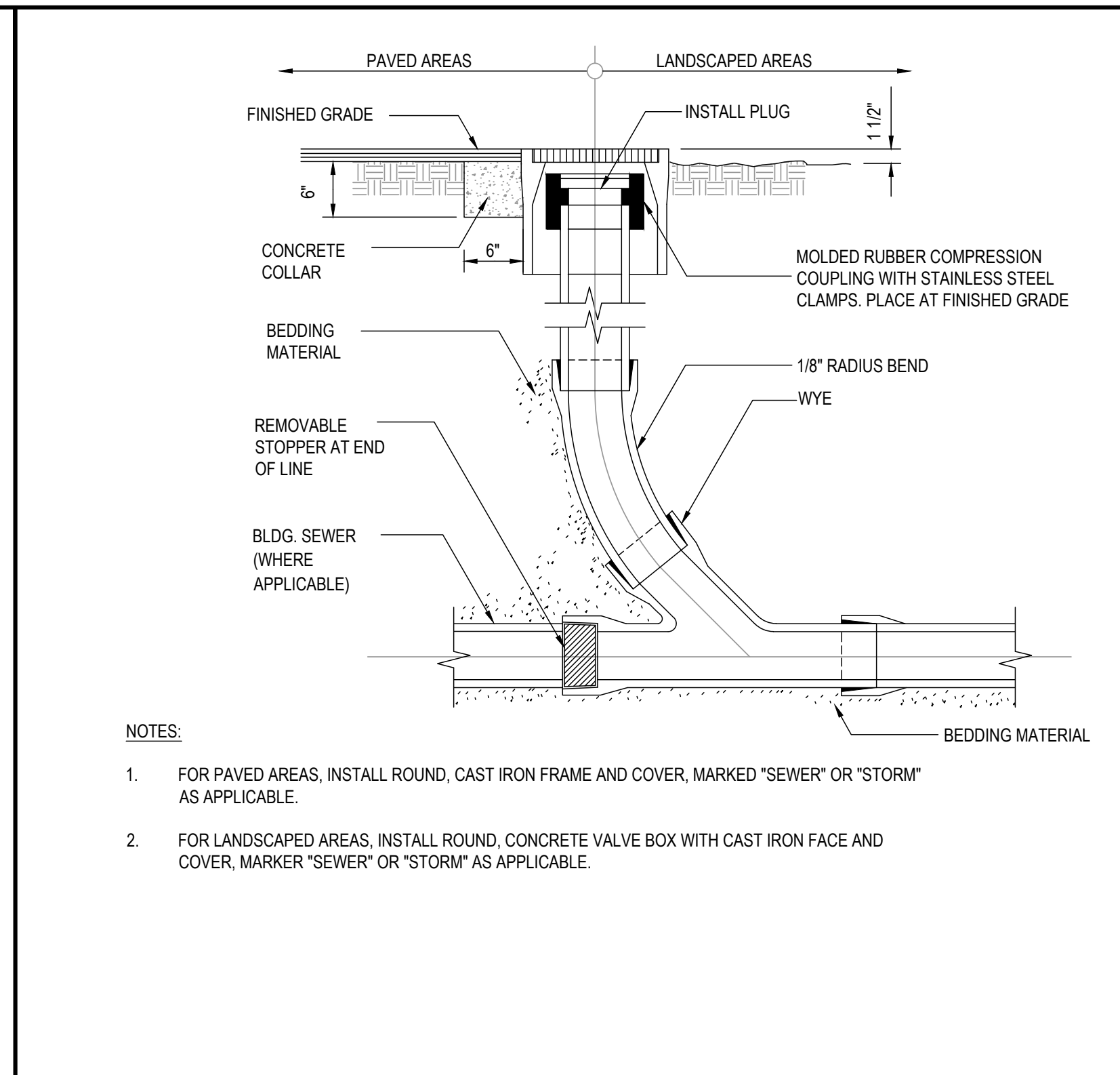
DRAWING NUMBER: **C3.0**

AGENCY BACKCHECK

HONEYBEE POOL RENOVATION
CITY OF ROHNERT PARK
1170 GOLF COURSE DRIVE
ROHNERT PARK, CA 94928

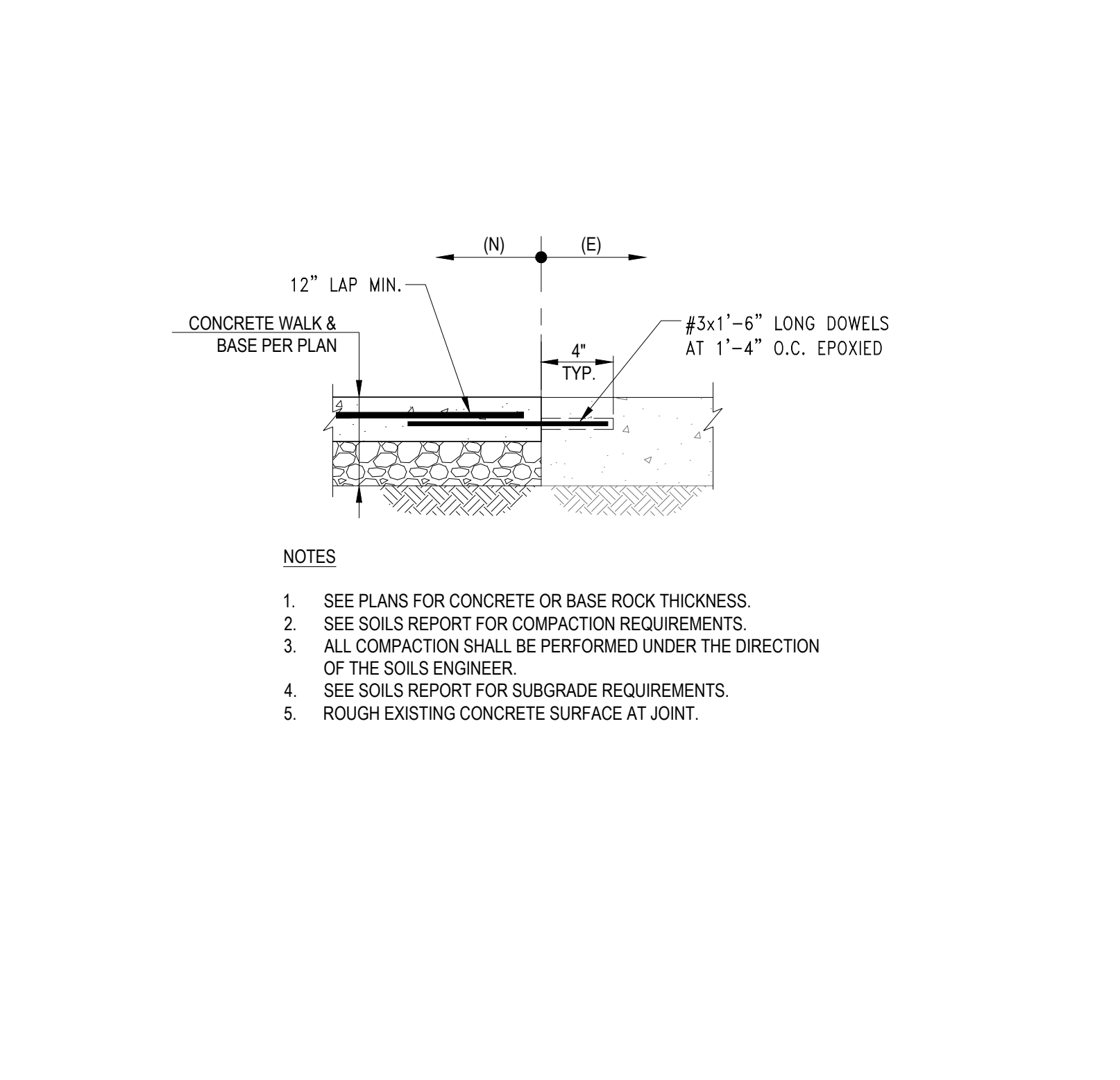


10 **7** TYPICAL CONCRETE PAVING DETAIL

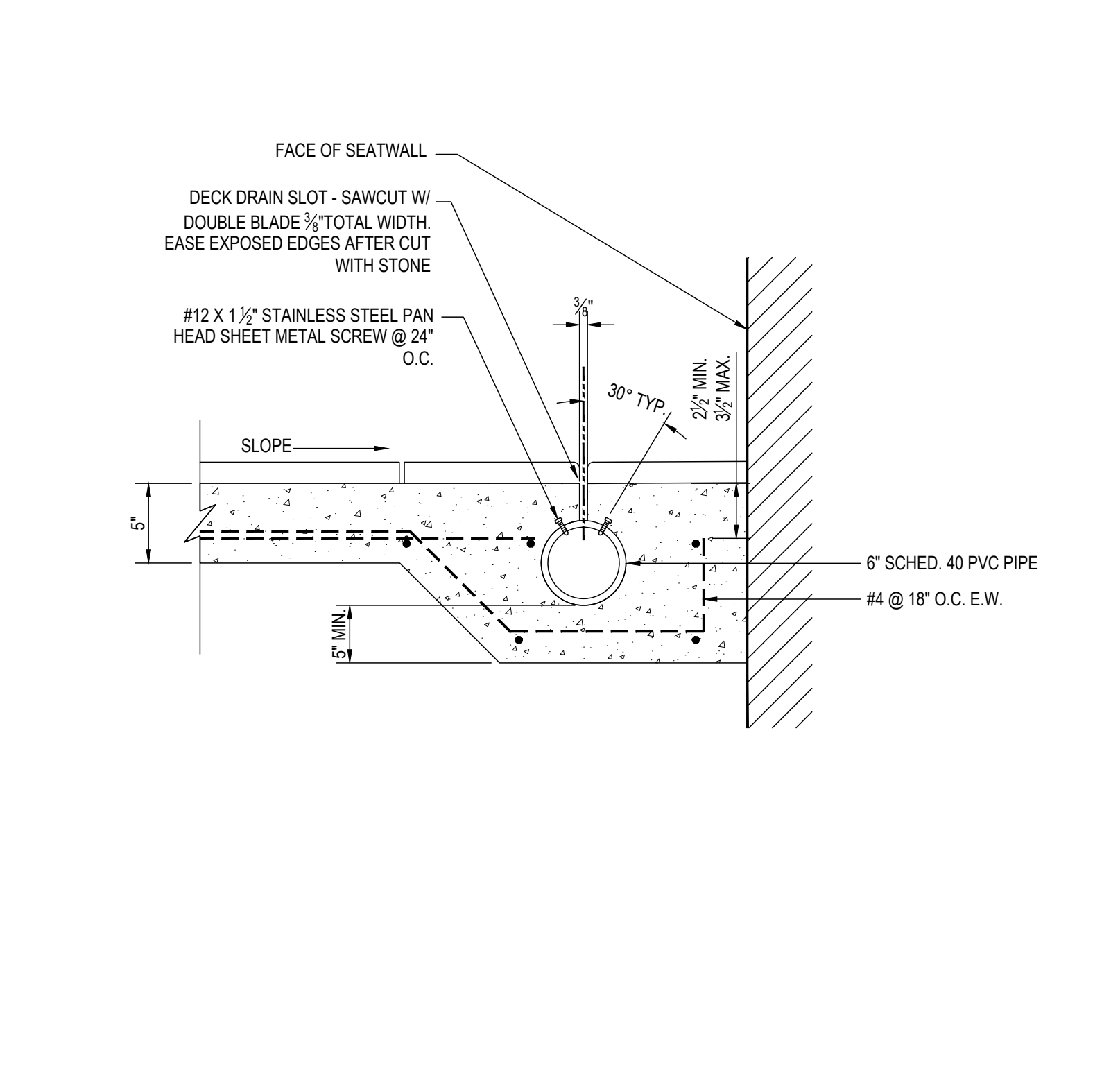
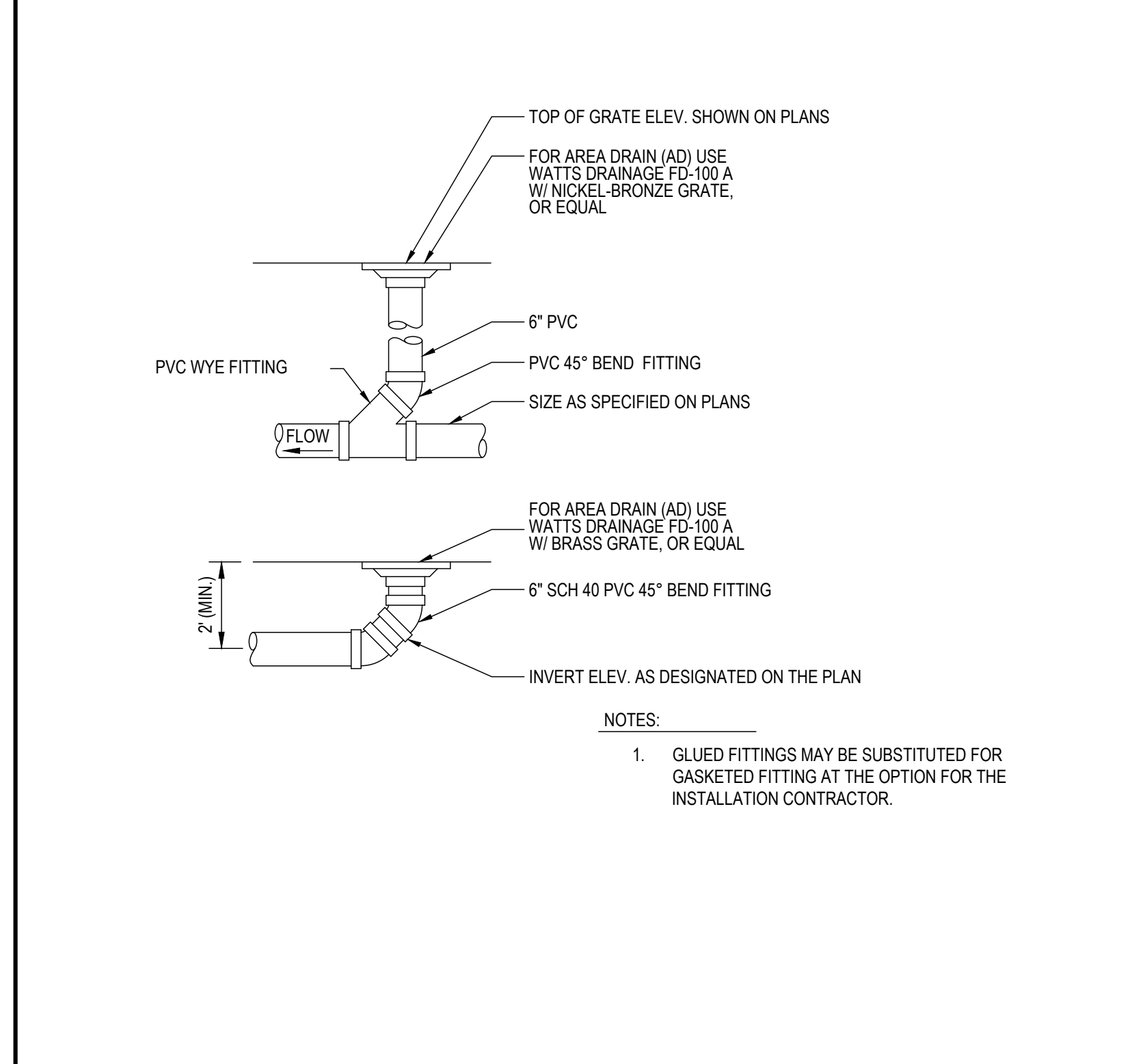


4 CLEANOUT TO GRADE

1 SLOT DRAIN SECTION

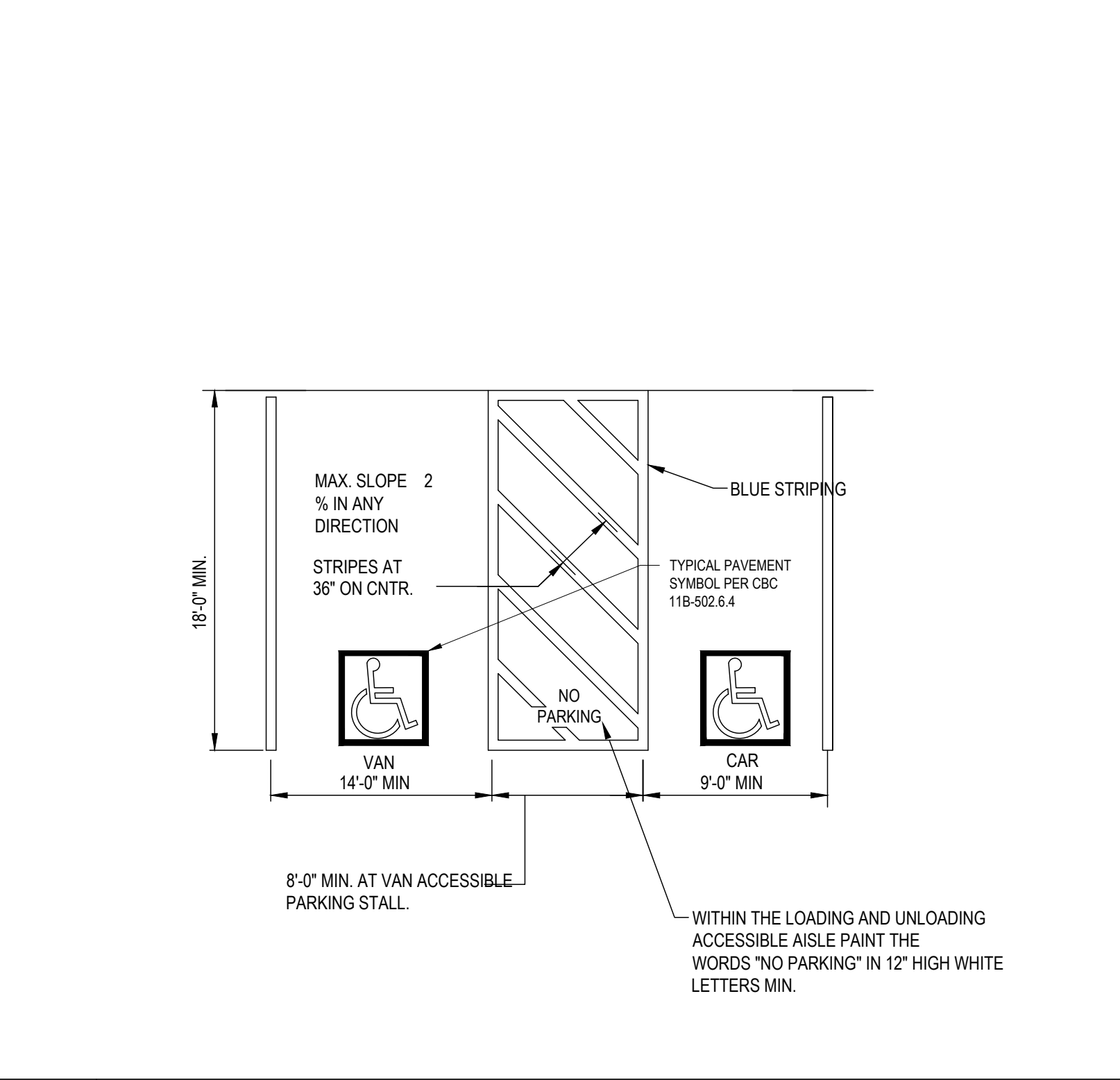


11 **8** NEW CONCRETE TO EXISTING CONCRETE CONNECTION



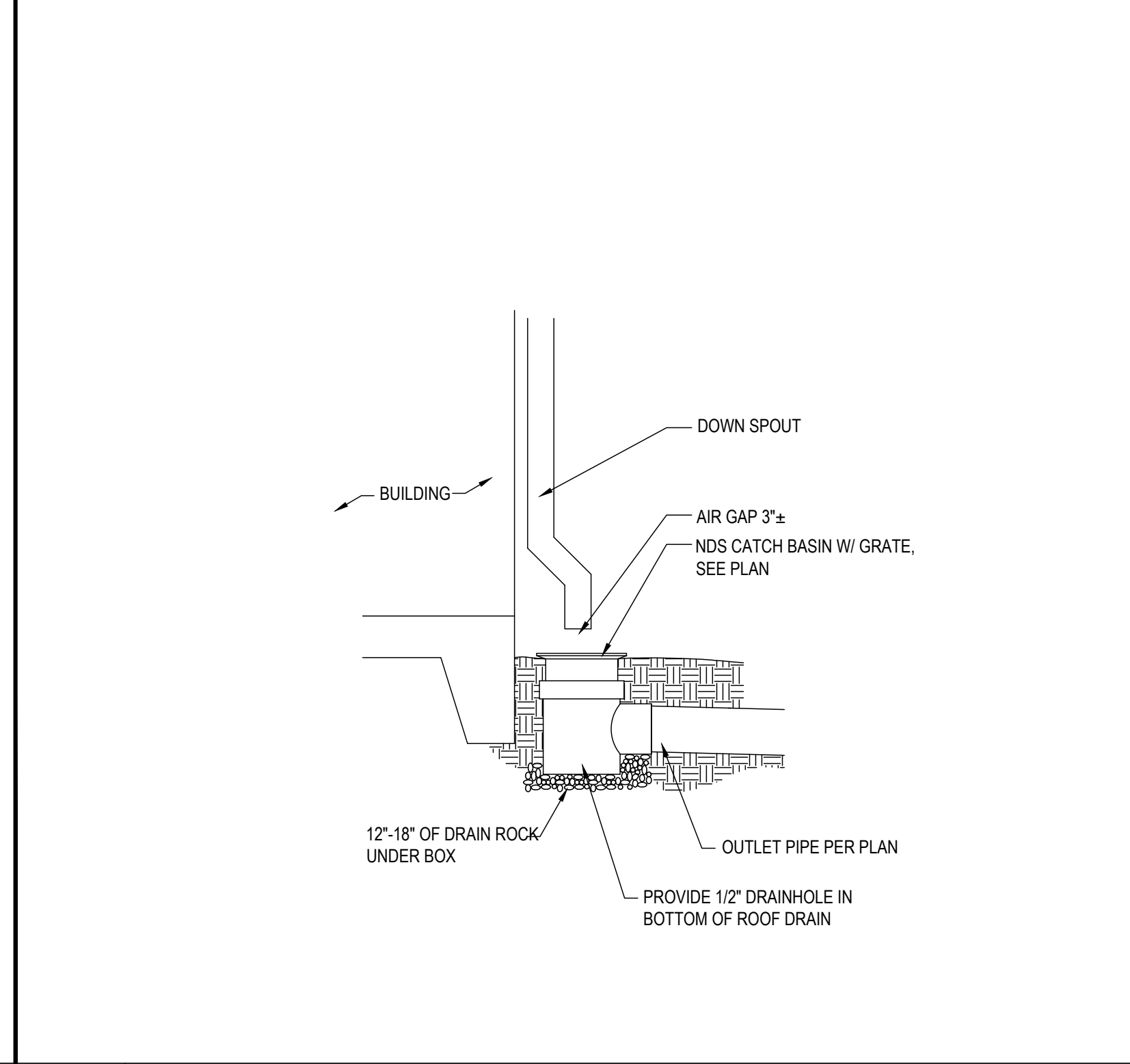
5 FLAT WORK DRAIN

2 SLOT DRAIN @ PAVING

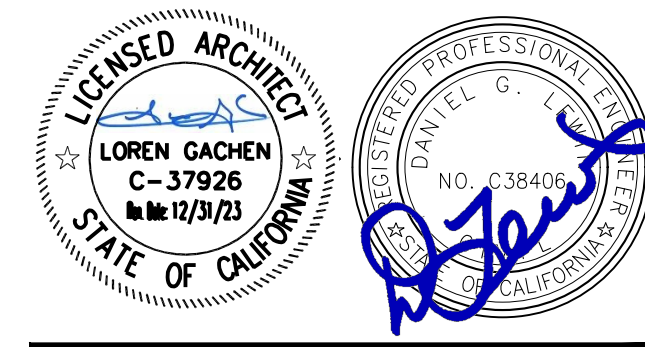


12 **9** ACCESSIBLE PARKING DETAIL

6 DOWNSPOUT TO DRAIN CONNECTION



3 SLOT DRAIN CLEAN OUT



CONSULTANT
HOBBACH-LEWIN, INC.
STRUCTURAL & CIVIL ENGINEERS
2600 Sheridan Avenue, Suite 150
Palo Alto, CA 94306
(650) 617-9930, Fax (650) 617-9932

VANESSA GARRETT P.E. CE4141 DATE
CITY ENGINEER

REVISION SCHEDULE			
NO.	DATE	BY	DESCRIPTION
1	5/25/2022		AGENCY PLAN REVIEW
2	12/02/2022		AGENCY PLAN REVIEW
3	04/06/2023		ADDENDUM 3

DRAWN: BKB CHECKED: BJH
DATE: 02/25/2022 SCALE:
PROJECT NUMBER: 2010200

DETAILS

DRAWING NUMBER: **C6.0**

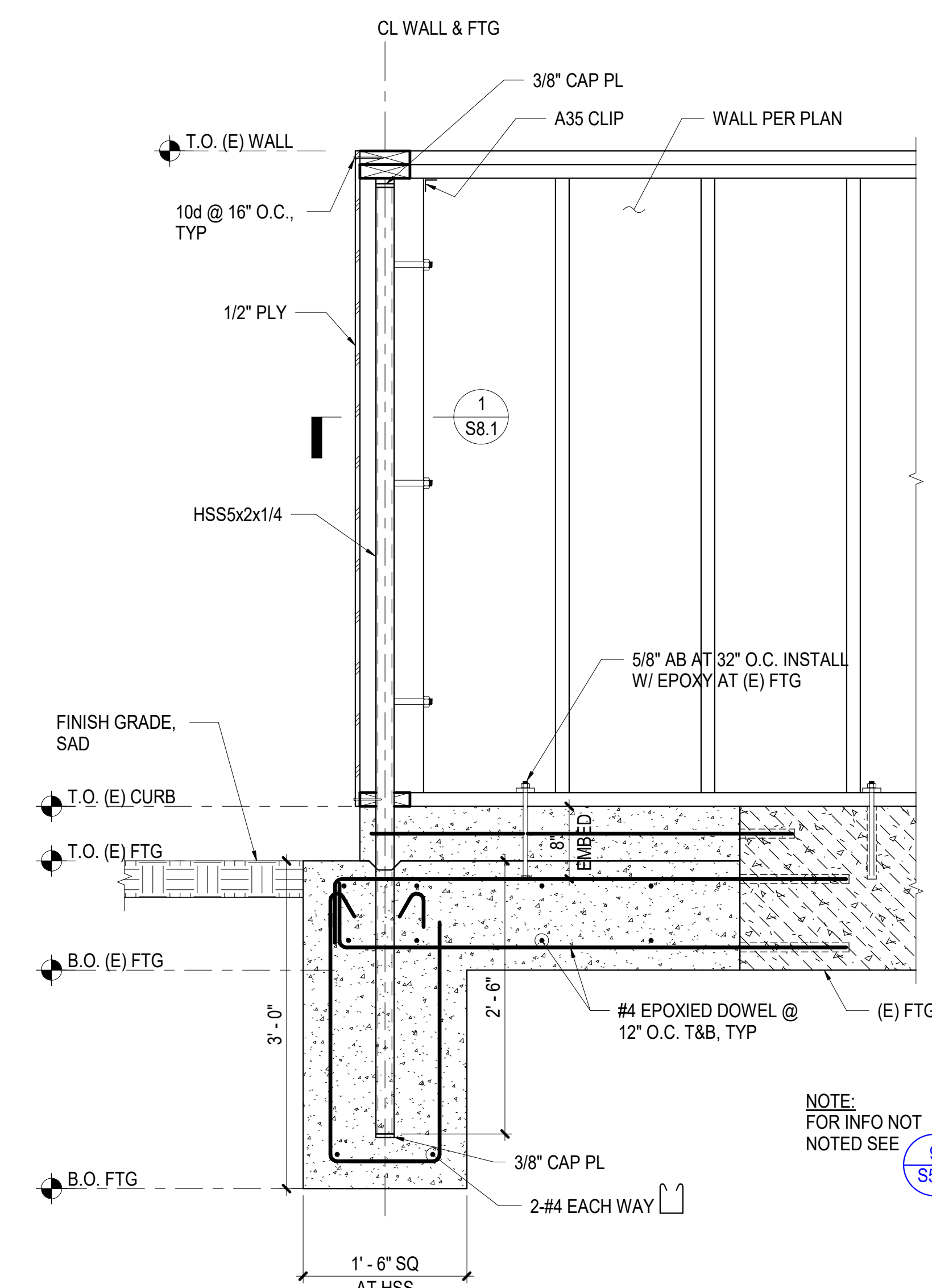
DISCLAIMER: TOPOGRAPHIC INFORMATION, INCLUDING PROPERTY LINES, EASEMENTS, EXISTING GRADES, EXISTING UTILITIES LOCATIONS, ETC. SHOWN ARE FOR GENERAL REFERENCE ONLY AND HAVE BEEN PROVIDED BY OTHERS AND HAVE NOT BEEN INDEPENDENTLY VERIFIED BY HOBBACH-LEWIN, INC.

REVISION SCHEDULE			
NO.	DATE	BY	DESCRIPTION
1	11/03/2022		AGENCY PLAN REVIEW
2	12/02/2022		AGENCY PLAN REVIEW
3	03/01/2023		ADDENDUM 1
4	04/06/2023		ADDENDUM 3

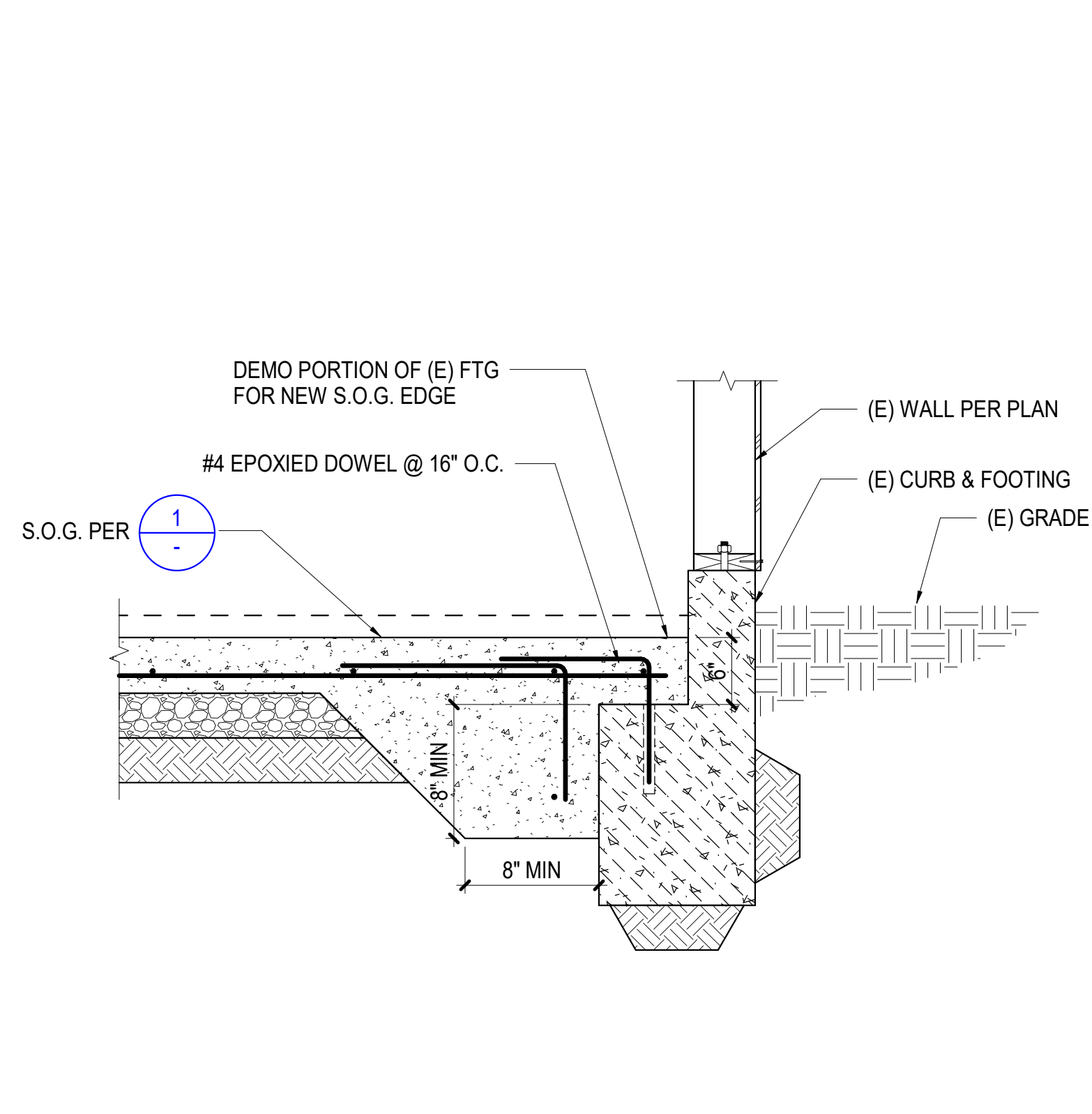
DRAWN: Author CHECKED: Checker
DATE: 02/25/2022 SCALE: 1" = 1'-0"
PROJECT NUMBER: 2010200

CONCRETE DETAILS

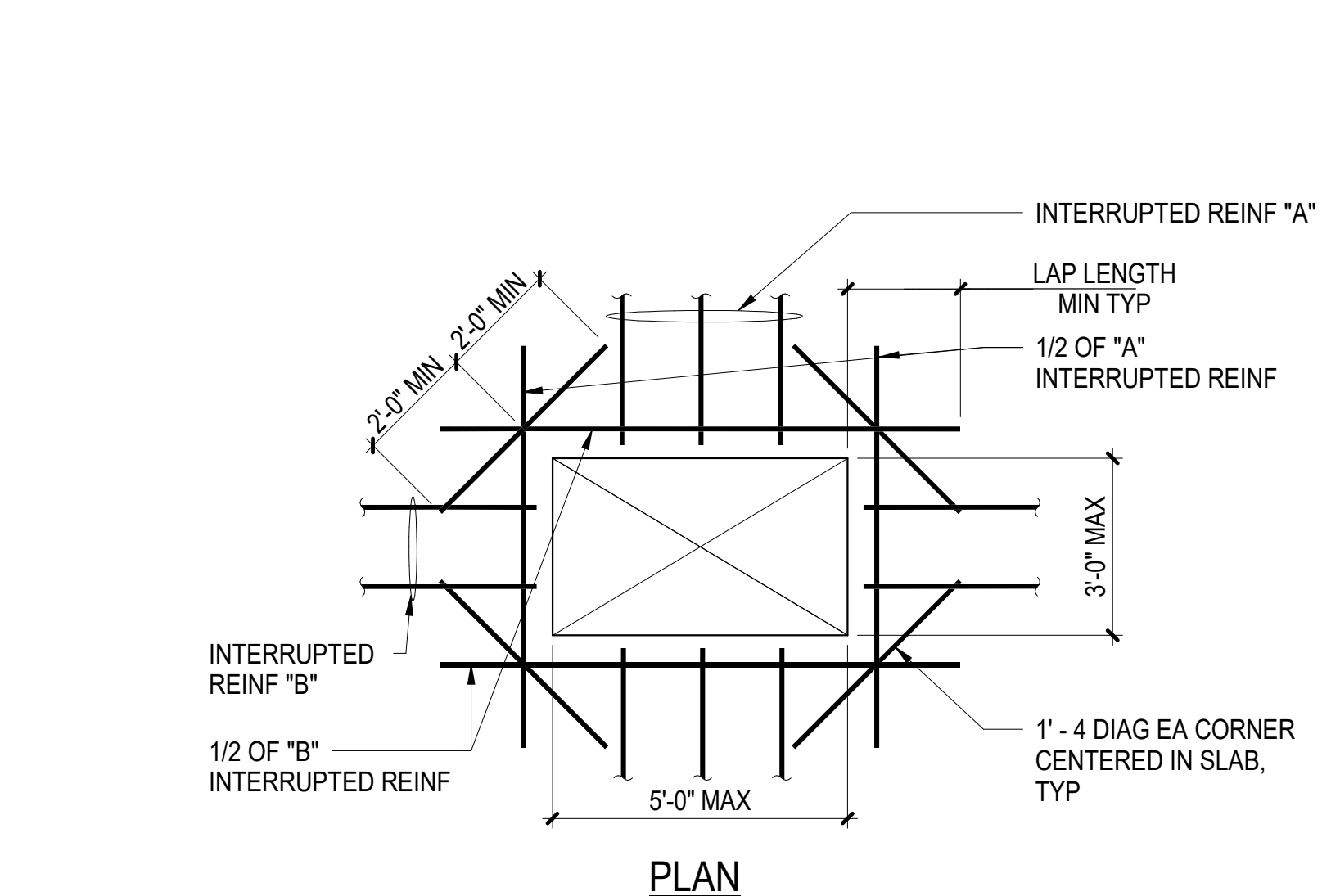
DRAWING NUMBER: **S5.1**



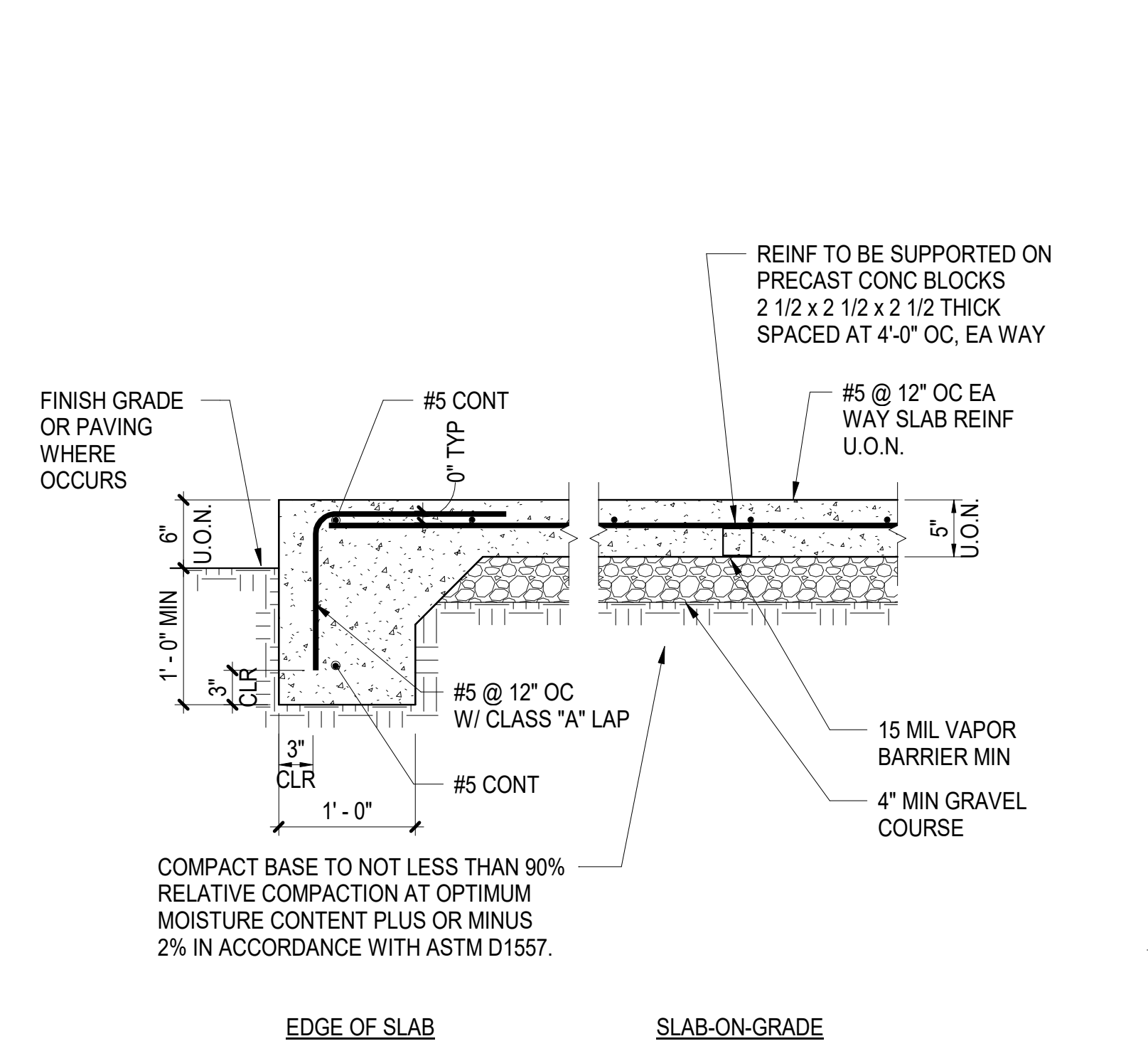
10 SECTION AT NEW FOOTING AND PIPE 1" = 1'-0"



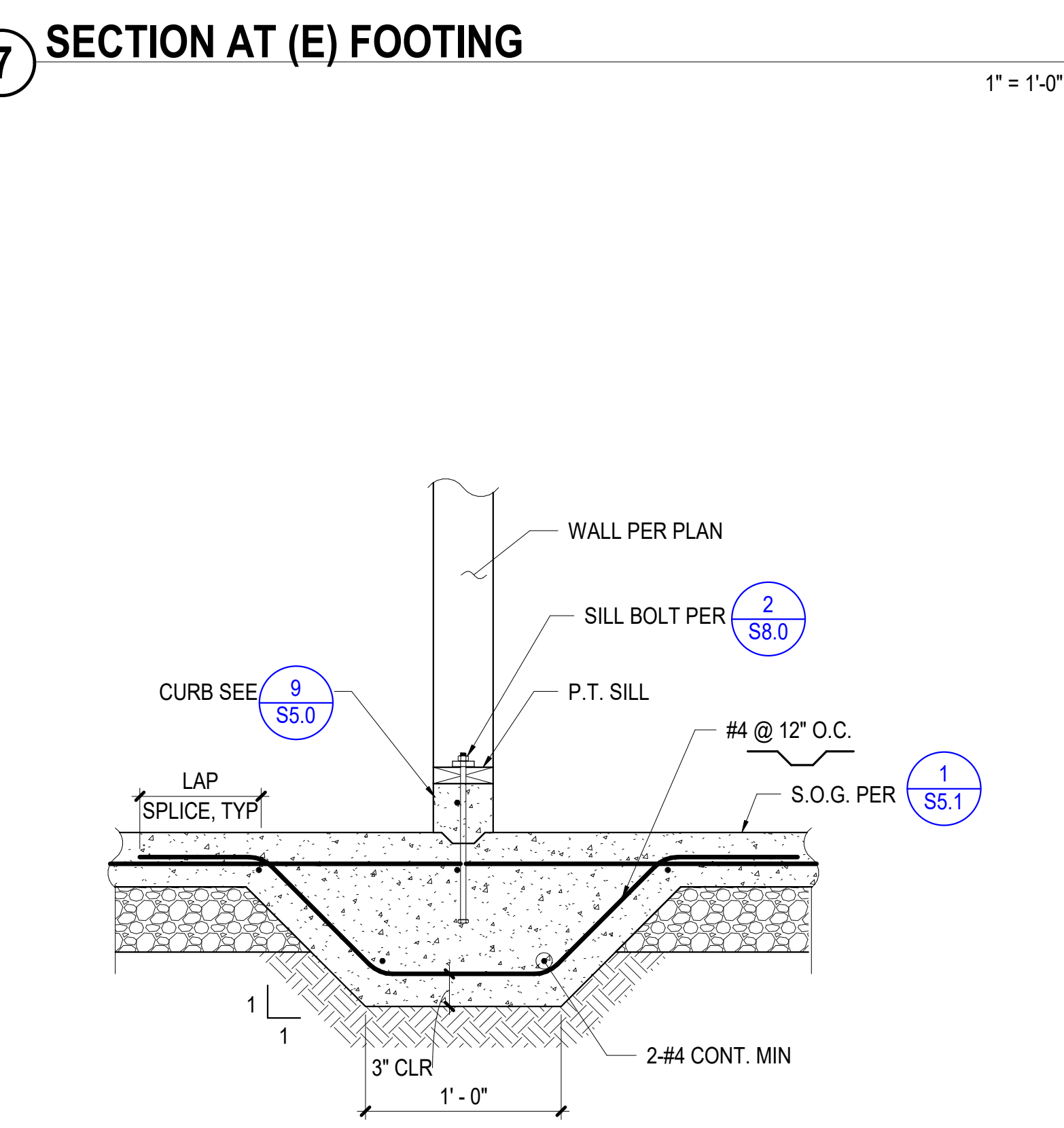
7 SECTION AT (E) FOOTING 1" = 1'-0"



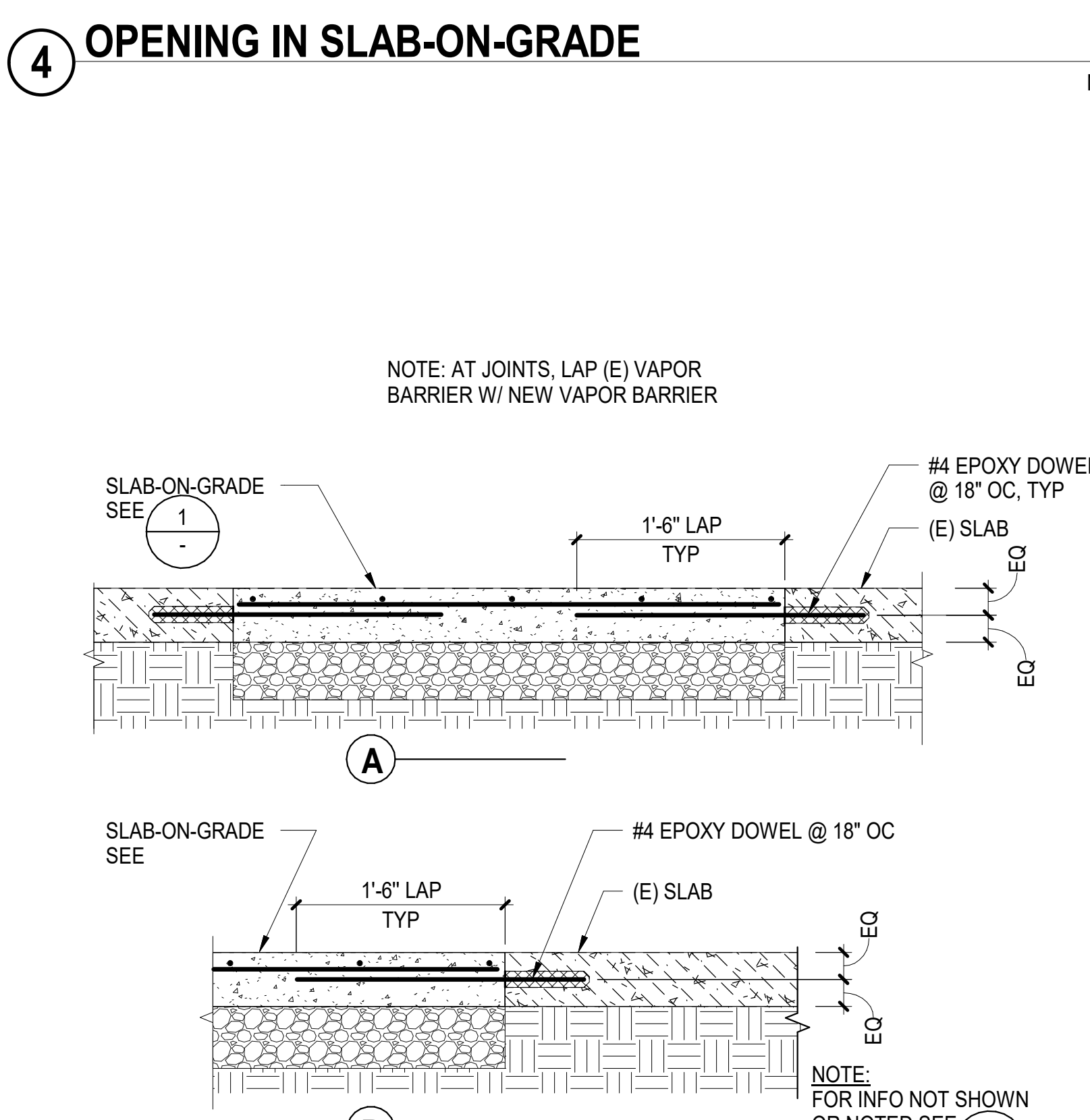
4 OPENING IN SLAB-ON-GRADE NTS



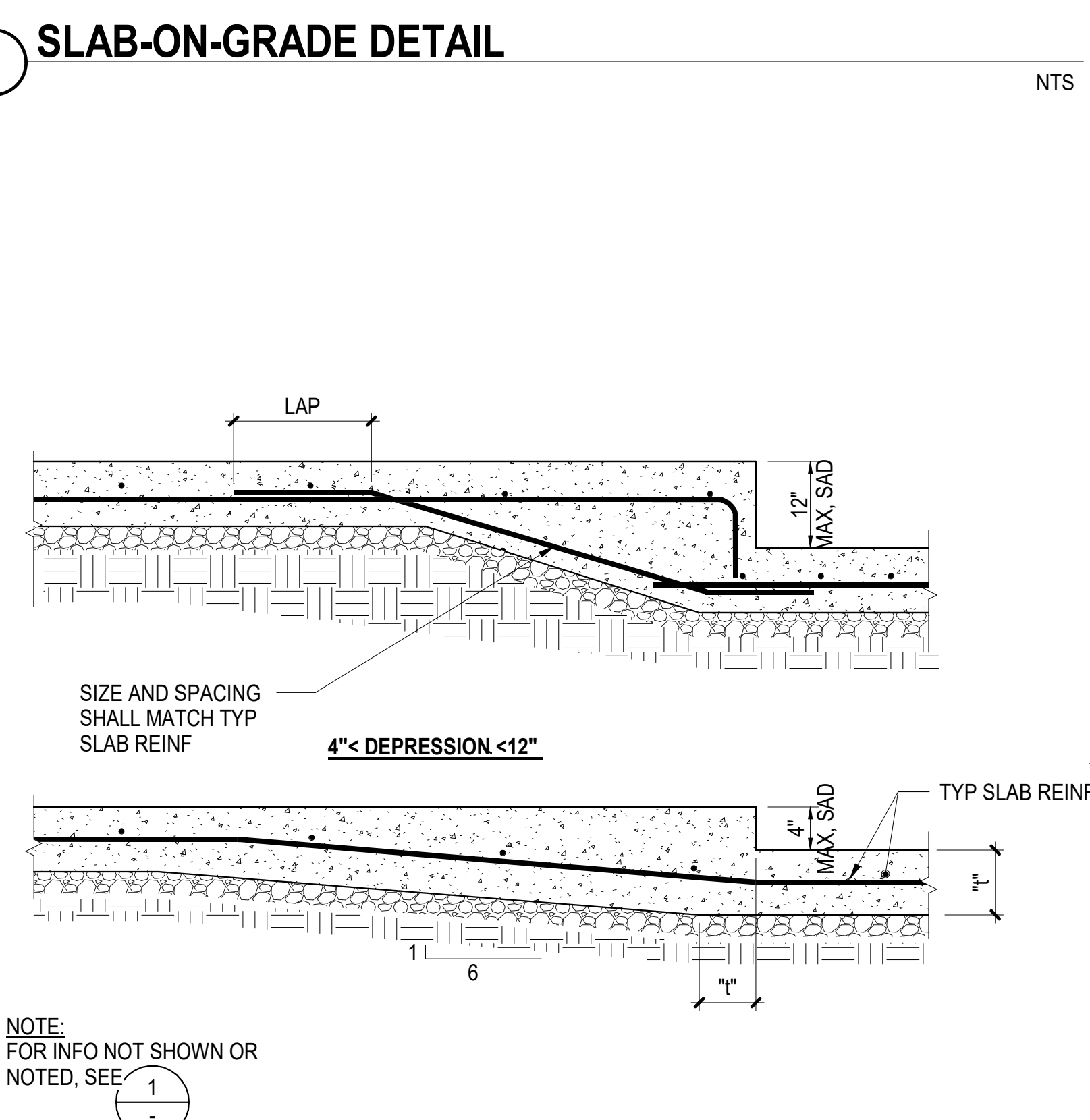
1 SLAB-ON-GRADE DETAIL NTS



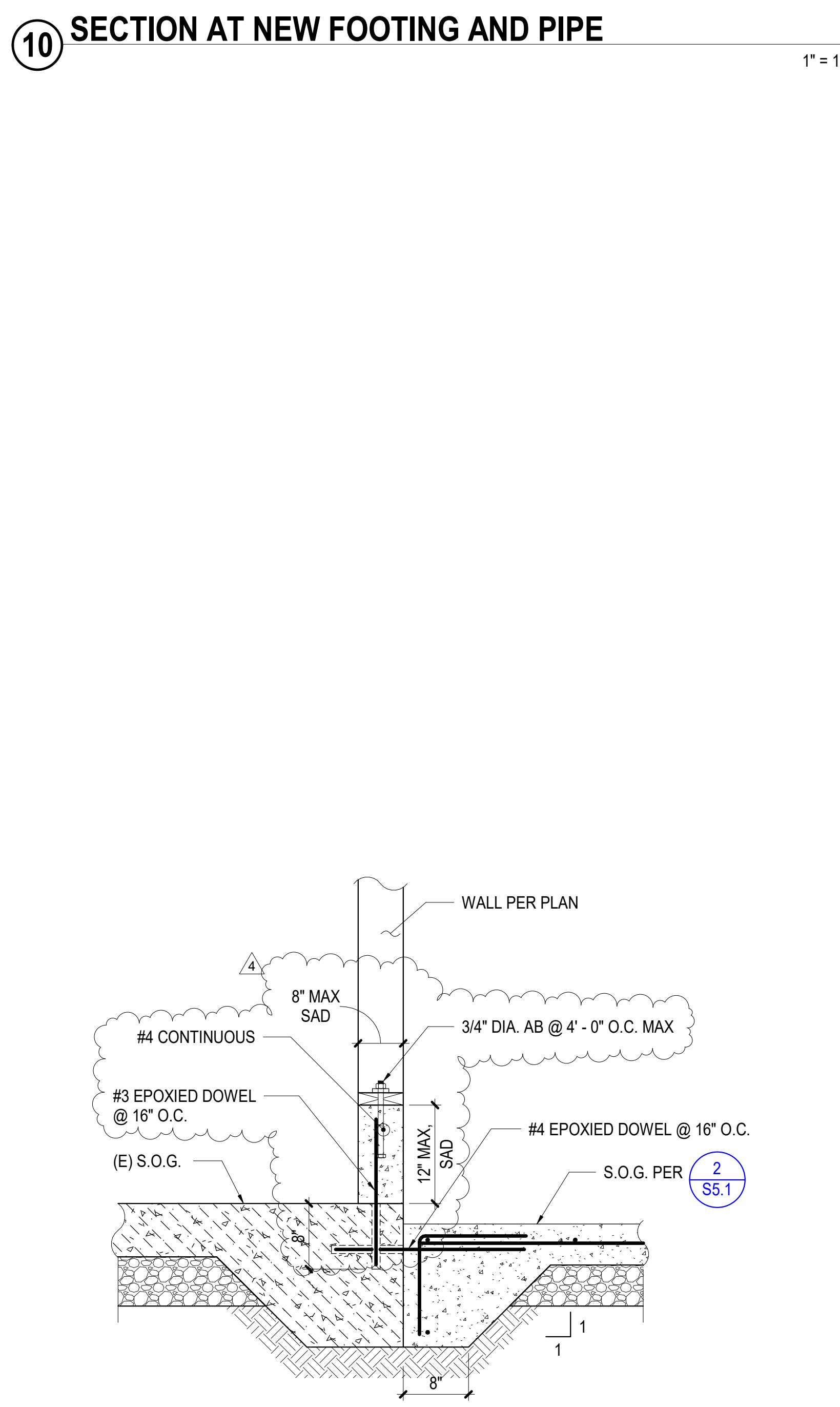
8 THICKENED SLAB AT NON-BEARING WALL 1" = 1'-0"



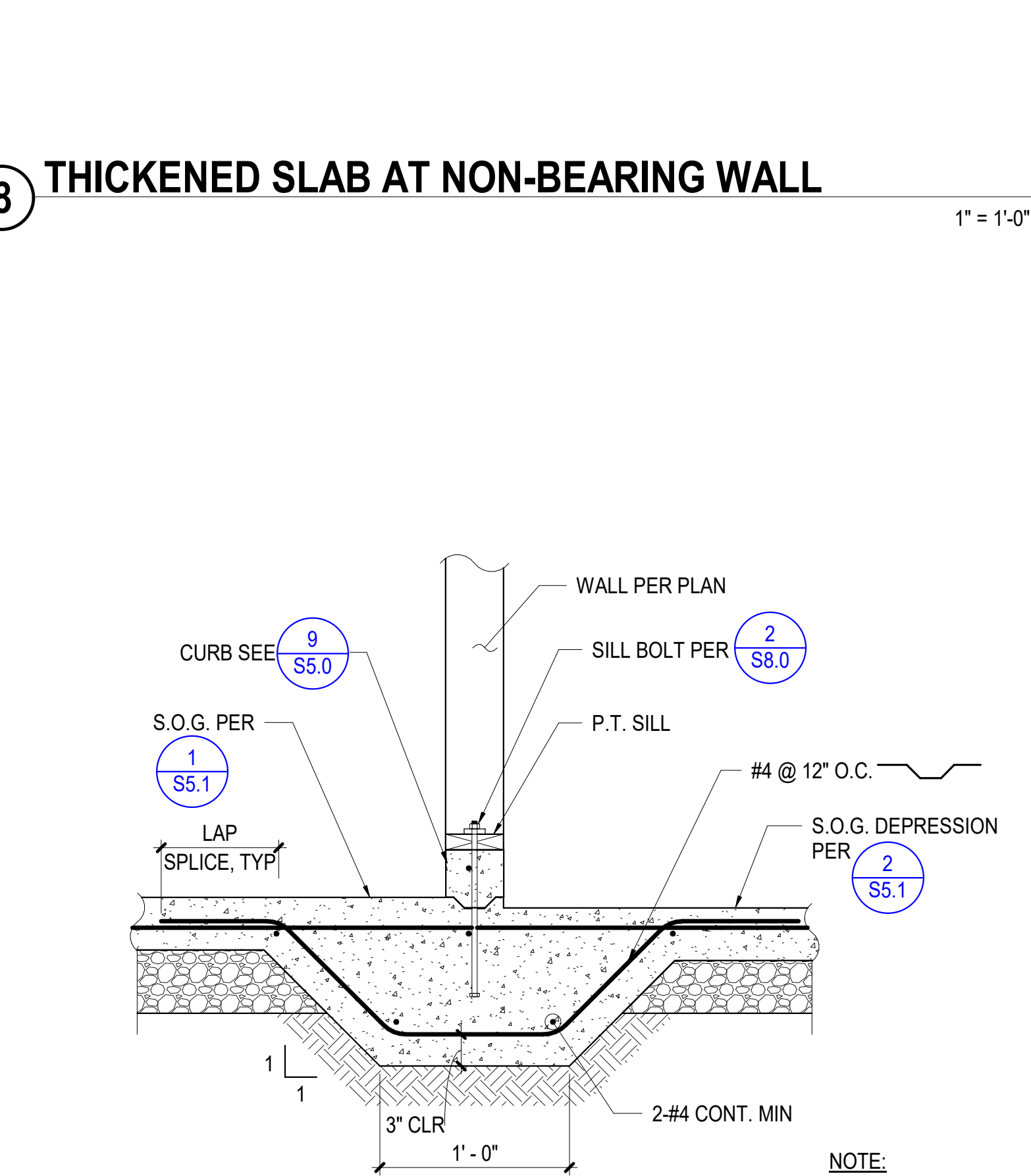
5 SLAB-ON-GRADE AT (E) SLAB NTS



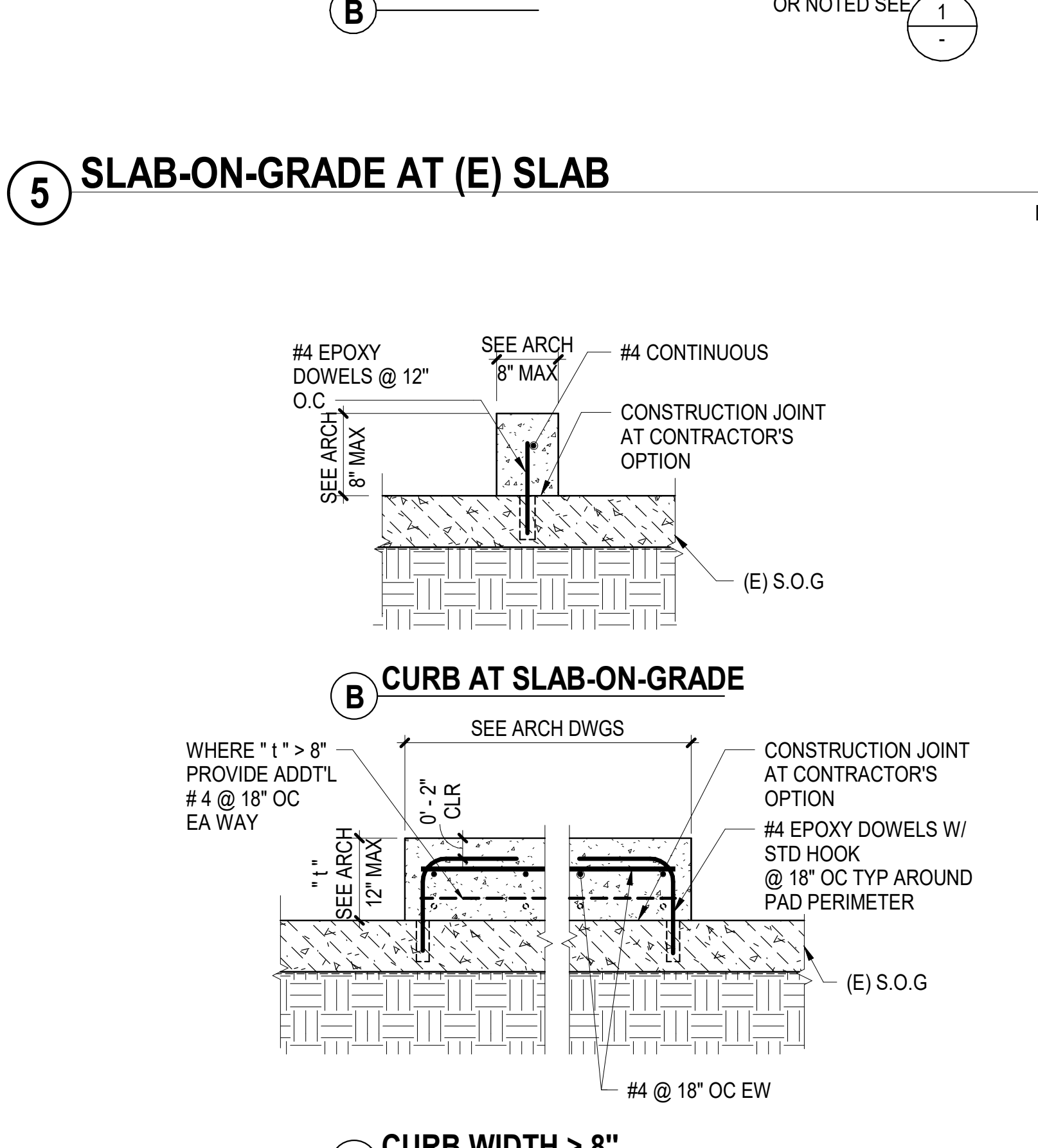
2 SLAB-ON-GRADE DEPRESSION NTS



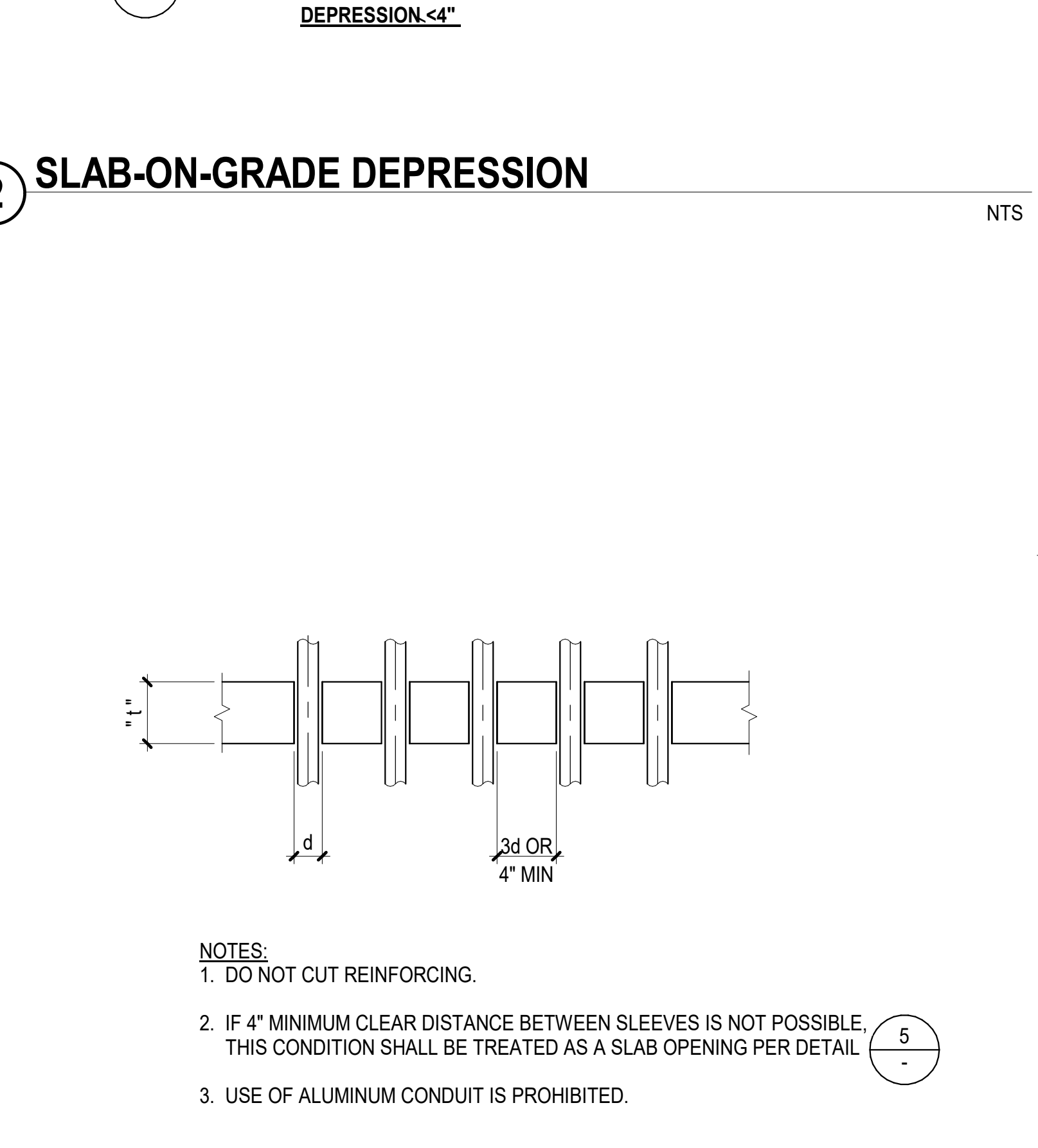
12 SECTION AT (E) THICKENED SLAB 1" = 1'-0"



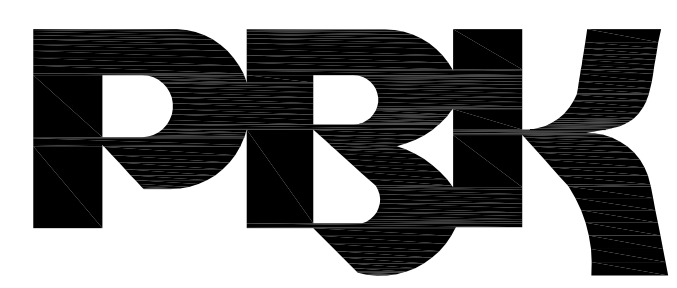
9 THICKENED SLAB AT NON-BEARING WALL 1" = 1'-0"



6 CURBS AND HOUSEKEEPING PADS AT (E) S.O.G NTS



3 PIPING & CONDUIT THROUGH SLAB NTS



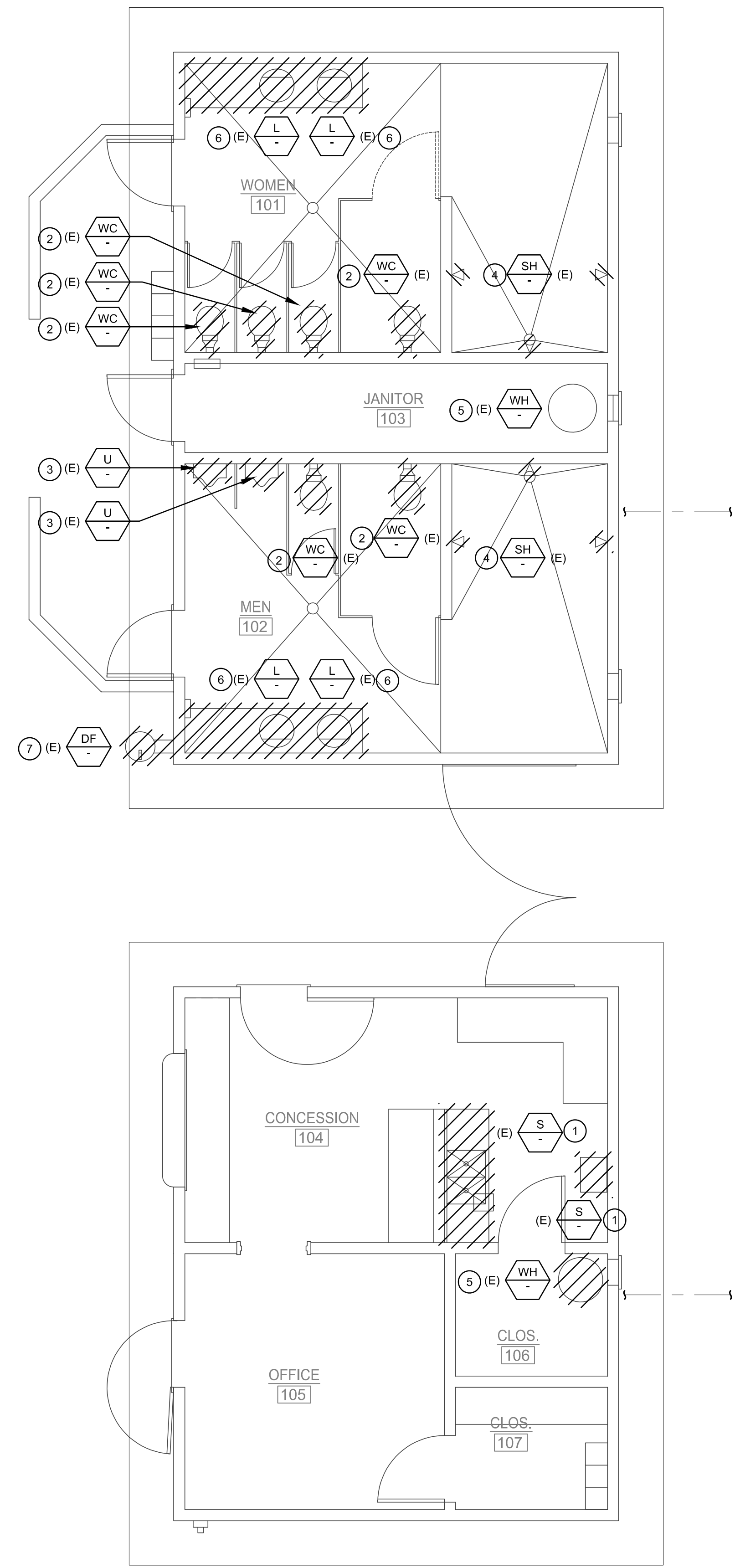
BERKELEY
 2600 TENTH STREET, SUITE 700
 BERKELEY, CA 94710-2597
 510-450-1999 P

DEMOLITION GENERAL NOTES

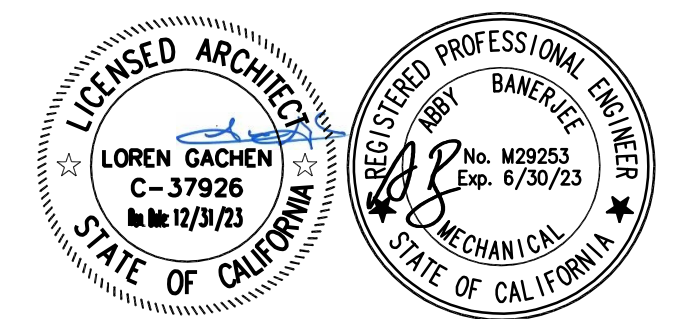
1. FOR CLARITY, NOT ALL EXISTING WORK IS SHOWN ON PLAN. PLUMBING WORK SHOWN ON PLAN IS DIAGRAMMATIC. CONTRACTOR SHALL FIELD VERIFY EXISTING CONDITIONS.
2. DEMOLISH/REMOVE & PATCH EXISTING MATERIALS, ITEMS, OR FINISHES AS NECESSARY TO PERFORM NEW WORK WHERE INDICATED. PATCH EXISTING WALL/FLOOR TO MATCH ADJACENT MATERIALS/FINISHES.
3. COORDINATE EXTENT OF DEMOLITION/REMOVAL WITH ARCHITECTURAL DRAWINGS.
4. CONDENSATE DRAIN PIPING SHALL SLOPE AT 1% UNLESS OTHERWISE NOTED ON PLANS.

DEMOLITION KEYNOTES

- ① REMOVE EXISTING SINK AND FLOOR SINK. REMOVE ALL RELATED PIPE AND FITTING. CAP SEWER BELOW FLOOR. VENT AND WATER ABOVE CEILING.
- ② REMOVE EXISTING WATER CLOSET. DEMOLISH EXISTING SEWER BELOW FLOOR. VENT AND WATER IN WALL AS NEEDED TO ACCOMMODATE NEW FIXTURE. ROUGH-IN AND CONNECT AS REQUIRED.
- ③ REMOVE EXISTING URINAL. DEMOLISH EXISTING SEWER BELOW FLOOR. VENT AND WATER IN WALL AS NEEDED TO ACCOMMODATE NEW FIXTURE. ROUGH-IN AND CONNECT AS REQUIRED.
- ④ REMOVE EXISTING SHOWER HEADS AND PIPING. DEMOLISH EXISTING WATER PIPING IN WALL AS NEEDED TO ACCOMMODATE NEW SHOWER HEAD. ROUGH-IN AND CONNECT AS REQUIRED.
- ⑤ REMOVE AND REPLACE EXISTING WATER HEATER WITH NEW. PIPING AND FITTING TO BE DEMOLISHED AND REPLACE WITH NEW.
- ⑥ REMOVE EXISTING LAVATORY. DEMOLISH EXISTING SEWER BELOW FLOOR. VENT AND WATER IN WALL AS NEEDED TO ACCOMMODATE NEW FIXTURE. ROUGH-IN AND CONNECT AS REQUIRED.
- ⑦ REMOVE AND REPLACE EXISTING DRINKING FOUNTAIN WITH NEW. RECONNECT TO EXISTING SEWER BELOW FLOOR AND WATER AS NEEDED TO ACCOMMODATE NEW FIXTURE. ROUGH-IN AND CONNECT AS REQUIRED.



HONEYBEE POOL RENOVATION
 CITY OF ROHNERT PARK
 1170 GOLF COURSE DRIVE
 ROHNERT PARK, CA 94928



CONSULTANT
oed optimum energy design
 Consulting Engineers
 5515 Doyle Street
 Suite 4
 Emeryville, CA 94608
 Telephone: (510) 837-9182

VANESSA GARRETT P.E. CE84141 _____ DATE
 CITY ENGINEER

REVISION SCHEDULE			
NO	DATE	BY	DESCRIPTION
▲	5/25/2022		AGENCY PLAN REVIEW
▲	12/02/2022		AGENCY PLAN REVIEW
▲	04/06/2023		ADDENDUM 3

DRAWN: _____ CHECKED: _____
 DATE: 02/25/2022 SCALE: _____
 PROJECT NUMBER: 2010200

PLUMBING DEMO FLOOR PLAN

DRAWING NUMBER: **PD2.0**